

# ASPIRE

## BY HESTAN

### Grill w/ ROTISSERIE

EABR<sub>30</sub>/EABR<sub>36</sub>/EABR<sub>42</sub>/EMBR<sub>30</sub>/EMBR<sub>36</sub>/EMBR<sub>42</sub>

### Grill ONLY

EAB<sub>30</sub>/EAB<sub>36</sub>/EAB<sub>42</sub>/EMB<sub>30</sub>/EMB<sub>36</sub>/EMB<sub>42</sub>

### Parts List

Hestan Commercial Corporation

3375 E. La Palma Ave.

Anaheim, CA 92806

(888) 905-7463

RETAIN THIS FOR FUTURE REFERENCE

## REPLACEMENT PARTS - ASPIRE OUTDOOR GRILLS

# ASPIRE BY HESTAN

All warranty and non-warranty repairs should be performed by qualified service personnel. To locate an authorized service agent, contact your Hestan dealer, local representative, or the manufacturer. Before you call, please have the model number and serial number information ready.

Hestan Commercial Corp.  
(888) 905-7463

ITEM	DESCRIPTION	
A1	SERVICE, MANIFOLD, GAS ASSY., ASPIRE GRILL	SEE SUB-ASSEMBLY FOR PARTS BREAKDOWN
A2	SERVICE, ASSY., CONTROL PANEL, ASPIRE GRILL	SEE SUB-ASSEMBLY FOR PARTS BREAKDOWN
A3	SERVICE, ASSY., DRIP PAN, ASPIRE GRILL	SEE SUB-ASSEMBLY FOR PARTS BREAKDOWN
A4	SERVICE, ASSY., ELECTRICAL BOX, ASPIRE GRILL	SEE SUB-ASSEMBLY FOR PARTS BREAKDOWN
A5	SERVICE, ASSY., BRIQUETTE TRAY, ASPIRE GRILL	SEE SUB-ASSEMBLY FOR PARTS BREAKDOWN
A6	SERVICE, ASSY., LID, ASPIRE GRILL	SEE SUB-ASSEMBLY FOR PARTS BREAKDOWN
A7	SERVICE, ASSY., CANOPY, ASPIRE GRILL	SEE SUB-ASSEMBLY FOR PARTS BREAKDOWN

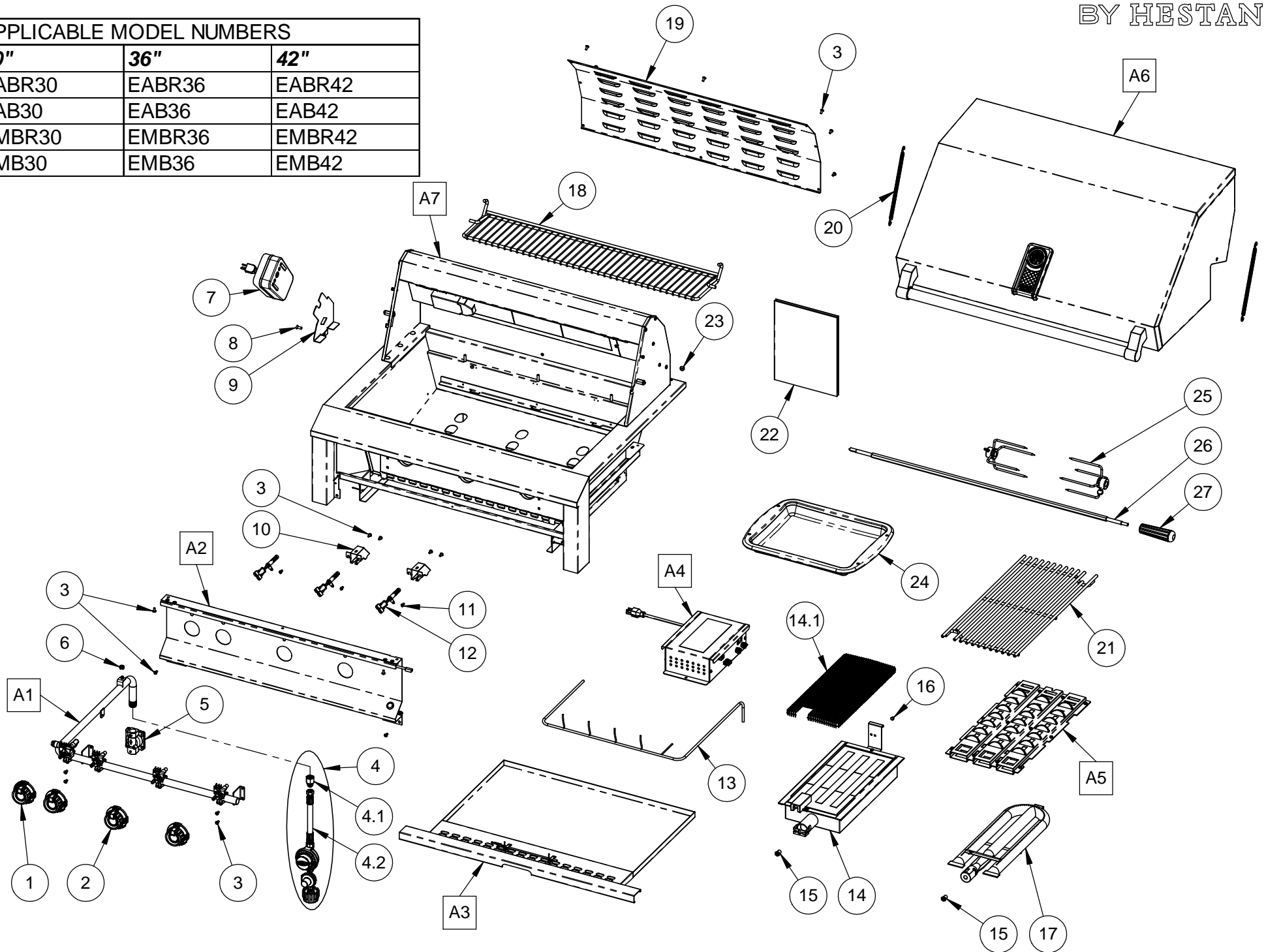
ITEM	PART NO.	DESCRIPTION	QTY.											
			EABR30	EAB30	EMBR30	EMB30	EABR36	EAB36	EMBR36	EMB36	EABR42	EAB42	EMBR42	EMB42
1	014566	KNOB ASSY., ROTIS, ASPIRE GRILL	1	-	1	-	1	-	1	-	1	-	1	-
2	014565	KNOB ASSY., BURNER, ASPIRE GRILL	2	2	2	2	3	3	3	3	4	4	4	4
3	010236	SERVICE, MS, 10-24 X 3/8, PH, PAN, SS, PKG 12	2	2	2	2	2	2	2	2	2	2	2	2
4	017822	SERVICE, LP REGULATOR & FLARE ADAPTER (FOR LP)	1	1	1	1	1	1	1	1	1	1	1	1
4.1	008053	ADAPTER, 3/8 FLARE X 1/2 NPT FEMALE (FOR LP)	1	1	1	1	1	1	1	1	1	1	1	1
4.2	006256	REGULATOR, 2-STAGE, LP TANK X 3/8 NPT(F) OUTLET (FOR LP)	1	1	1	1	1	1	1	1	1	1	1	1
5	006239	REGULATOR, STRAIGHT-THRU, 1/2"NPT, (FOR NG)	1	1	1	1	1	1	1	1	1	1	1	1
6	017823	SERVICE, NUT, KEPS, 1/4-20, ZN, PKG 4	1	1	1	1	1	1	1	1	1	1	1	1
7	012869	GEARMOTOR, ROTISSERIE, EXTERNAL	1	-	1	-	1	-	1	-	1	-	1	-
8	017824	SERVICE, MS, 1/4-20 X .625, PH, FLT, SS, PKG 2	1	-	1	-	1	-	1	-	1	-	1	-
9	012816	PLATE, MOTOR MOUNT, ASPIRE GRILL	1	-	1	-	1	-	1	-	1	-	1	-
10	007674	SHROUD, IGNITER, GRILL, WA	2	1	2	1	3	2	3	2	4	3	4	3
11	010222	SERVICE, MS, 8-32 X .375, TORX, PAN, SS, PKG 10	1	1	1	1	1	1	1	1	1	1	1	1
12	006096	IGNITER, HOT SURFACE, BURNER	2	2	2	2	3	3	3	3	4	4	4	4
13	013025	HARNESS, WIRE, ASPIRE GRILL W/ROTIS, 30"	1	-	1	-	-	-	-	-	-	-	-	-
	013026	HARNESS, WIRE, ASPIRE GRILL W/O ROTIS, 30"	-	1	-	1	-	-	-	-	-	-	-	-
	013022	HARNESS, WIRE, ASPIRE GRILL W/ROTIS, 36"	-	-	-	-	1	-	1	-	-	-	-	-
	013024	HARNESS, WIRE, ASPIRE GRILL W/O ROTIS, 36"	-	-	-	-	-	1	-	1	-	-	-	-
	017196	HARNESS, WIRE, ASPIRE GRILL W/ROTIS, 42"	-	-	-	-	-	-	-	-	1	-	1	-
	017202	HARNESS, WIRE, ASPIRE GRILL W/O ROTIS, 42"	-	-	-	-	-	-	-	-	-	1	-	1
14	014916	ASSY., SEAR BURNER w/ SCREEN, ASPIRE	1	-	1	-	1	-	1	-	1	-	1	-
14.1	014920	SCREEN, SEAR BURNER, ASPIRE GRILL	1	-	1	-	1	-	1	-	1	-	1	-
15	000293-043	ORIFICE, HOOD, DMS 43 (FOR NG)	2	2	2	2	3	3	3	3	4	4	4	4
	000293-054	ORIFICE, HOOD, DMS 54 (FOR LP)	2	2	2	2	3	3	3	3	4	4	4	4
16	010237	SERVICE, MS, 10-24 X 1/4, HEXHD, SS, PKG 6	1	-	1	-	1	-	1	-	1	-	1	-
17	006840	BURNER, U-TUBE, ASPIRE GRILL	2	1	2	1	3	2	3	2	4	3	4	3

ITEM	PART NO.	DESCRIPTION	EABR30	EAB30	EMBR30	EMB30	EABR36	EAB36	EMBR36	EMB36	EABR42	EAB42	EMBR42	EMB42
18	006255-030	RACK, WARMING, WIRE, ASPIRE GRILL, 30	1	1	1	1	-	-	-	-	-	-	-	-
	006255-036	RACK, WARMING, WIRE, ASPIRE GRILL, 36	-	-	-	-	1	1	1	1	-	-	-	-
	006255-042	RACK, WARMING, WIRE, ASPIRE GRILL, 42	-	-	-	-	-	-	-	-	1	1	1	1
19	015011	COVER, REAR, ASPIRE GRILL, 30	1	1	1	1	-	-	-	-	-	-	-	-
	013023	COVER, REAR, ASPIRE GRILL, 36	-	-	-	-	1	1	1	1	-	-	-	-
	015012	COVER, REAR, ASPIRE GRILL, 42	-	-	-	-	-	-	-	-	1	1	1	1
20	013986	SPRING, EXTENSION, ASPIRE GRILL, 30/36/42	2	2	2	2	2	2	2	2	2	2	2	2
21	013133	GRATE, ROUND ROD, ASPIRE GRILL, 30"	2	2	2	2	-	-	-	-	-	-	-	-
	013128	GRATE, ROUND ROD, ASPIRE GRILL, 36"	-	-	-	-	3	3	3	3	-	-	-	-
	013133	GRATE, ROUND ROD, ASPIRE GRILL, 42"	-	-	-	-	-	-	-	-	4	4	4	4
22	014824	MANUAL, USE & CARE, OUTDOOR GRILL, ASPIRE	1	1	1	1	1	1	1	1	1	1	1	1
23	010197	SERVICE, BUMPER, RUBBER, .50 DIAM. X .250 H, PKG 4	1	1	1	1	1	1	1	1	1	1	1	1
24	007648	PAN, DRIP, ACCESSORY, GRILL	1	1	1	1	1	1	1	1	1	1	1	1
25	006951	FORK, ROTISSERIE	2	2	2	2	2	2	2	2	2	2	2	2
26	012878-030	SPIT, ROTISSERIE, ASPIRE GRILL, 30"	1	-	1	-	-	-	-	-	-	-	-	-
	012878-036	SPIT, ROTISSERIE, ASPIRE GRILL, 36"	-	-	-	-	1	-	1	-	-	-	-	-
	012878-042	SPIT, ROTISSERIE, ASPIRE GRILL, 42"	-	-	-	-	-	-	-	-	1	-	1	-
27	012882	HANDLE, ROTISSERIE ROD, ASPIRE GRILL	1	-	1	-	1	-	1	-	1	-	1	-

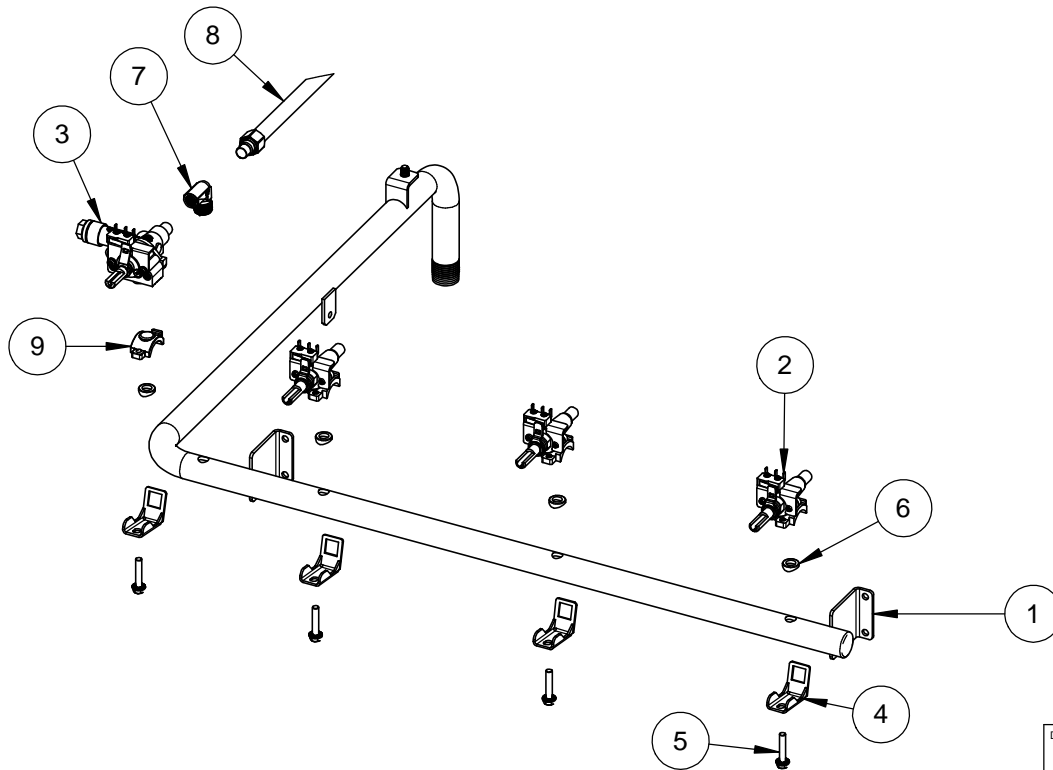
# REPLACEMENT PARTS - ASPIRE OUTDOOR GRILLS

ASPIRE  
BY HESTAN

APPLICABLE MODEL NUMBERS		
30"	36"	42"
EABR30	EABR36	EABR42
EAB30	EAB36	EAB42
EMBR30	EMBR36	EMBR42
EMB30	EMB36	EMB42



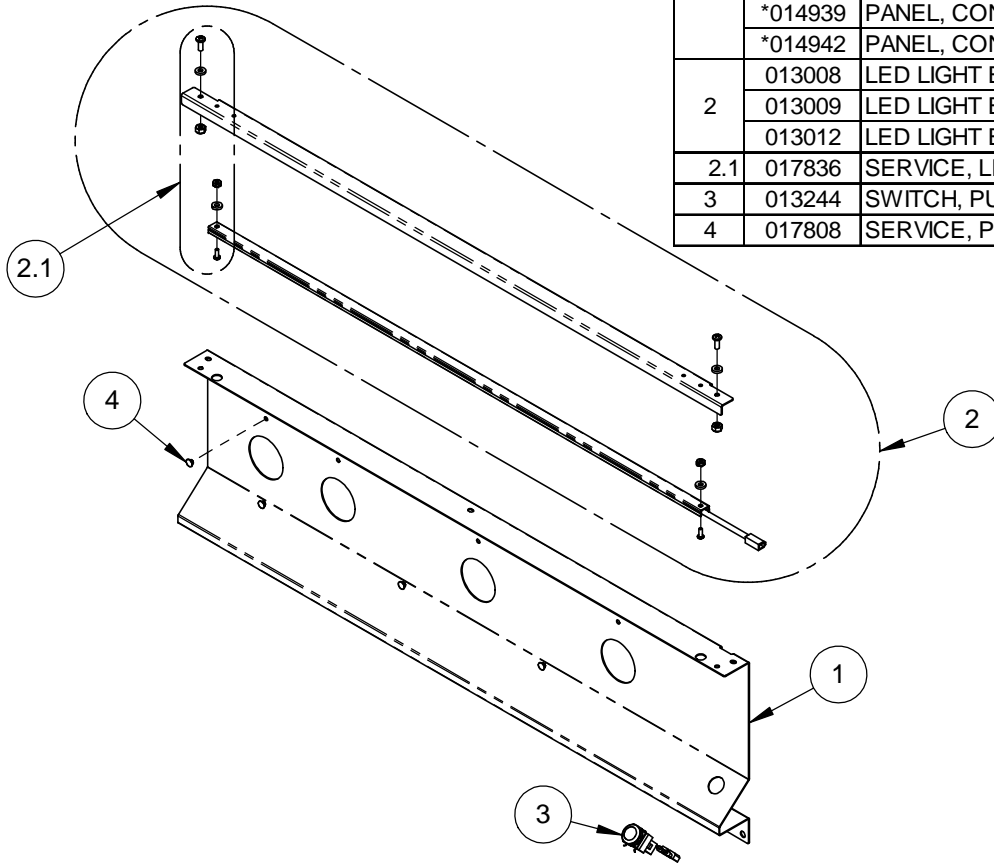
ITEM	PART NUMBER	DESCRIPTION	QTY												
			EABR30	EAB30	EMBR30	EMB30	EABR36	EAB36	EMBR36	EMB36	EABR42	EAB42	EMBR42	EMB42	
1	007521	MANIFOLD, GRILL, WA, 30	1	1	1	1	-	-	-	-	-	-	-	-	-
	006226	MANIFOLD, GRILL, WA, 36	-	-	-	-	1	1	1	1	-	-	-	-	-
	007522	MANIFOLD, GRILL, WA, 42	-	-	-	-	-	-	-	-	1	1	1	1	-
2	006953	VALVE, SADDLE-MOUNT, SINGLE, AX00B	2	2	2	2	3	3	3	3	4	4	4	4	-
3	007008	VALVE, SAFETY, SADDLE-MOUNT, BW00B0 (FOR ROTISS)	1	-	1	-	1	-	1	-	1	-	1	-	-
4	006997	CLAMP, GAS VALVE	3	2	3	2	4	3	4	3	5	4	5	4	-
5	010177	SERVICE, MS, M5-0.8 X 25mm, PH, SERRATED HEXWAS, SS, PKG 5	1	1	1	1	1	1	1	1	1	1	1	1	1
6	010180	SERVICE, GASKET, VALVE, SADDLE-MOUNT, SEVEN-U, PKG 5	1	1	1	1	1	1	1	1	1	1	1	1	1
7	000918	ELBOW, ADAPTER, 3/8-27UNS FEMALE X 3/8 C-C (FOR ROTISS)	1	-	1	-	1	-	1	-	1	-	1	-	-
8	005876	HOSE, FLEX, 3/8 OD, 48", F-F, NUT/FERRULE (FOR ROTISS)	1	-	1	-	1	-	1	-	1	-	1	-	-
9	013134	PLUG, SADDLE VALVE (FOR MODELS W/O ROTISS)	-	1	-	1	-	1	-	1	-	1	-	1	-



36" MANIFOLD SHOWN FOR REFERENCE

DESCRIPTION	<b>SERVICE, MANIFOLD, GAS ASSY., ASPIRE GRILL</b>
DRAWING NO	<b>A1</b>

**36" CONTROL PANEL (ROTISSERIE MODEL)  
SHOWN FOR REFERENCE**



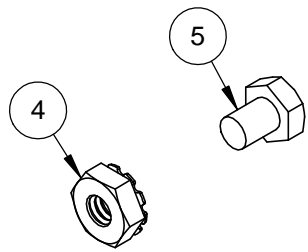
ITEM	PART NUMBER	DESCRIPTION	QTY											
			EABR30	EAB30	EMBR30	EMB30	EABR36	EAB36	EMBR36	EMB36	EABR42	EAB42	EMBR42	EMB42
1	*014934	PANEL, CONTROL, ASPIRE GRILL, 30	1	-	1	-	-	-	-	-	-	-	-	-
	*014935	PANEL, CONTROL, NON-ROTISS, ASPIRE GRILL, 30	-	1	-	1	-	-	-	-	-	-	-	-
	*013257	PANEL, CONTROL, ASPIRE GRILL, 36	-	-	-	-	1	-	1	-	-	-	-	-
	*014927	PANEL, CONTROL, NON-ROTISS, ASPIRE GRILL, 36	-	-	-	-	-	1	-	1	-	-	-	-
	*014939	PANEL, CONTROL, ASPIRE GRILL, 42	-	-	-	-	-	-	-	-	1	-	1	-
	*014942	PANEL, CONTROL, NON-ROTISS, ASPIRE GRILL, 42	-	-	-	-	-	-	-	-	-	1	-	1
2	013008	LED LIGHT BAR ASSY, ASPIRE GRILL, 30"	1	1	1	1	-	-	-	-	-	-	-	-
	013009	LED LIGHT BAR ASSY, ASPIRE GRILL, 36"	-	-	-	-	1	1	1	1	-	-	-	-
	013012	LED LIGHT BAR ASSY, ASPIRE GRILL, 42"	-	-	-	-	-	-	-	-	1	1	1	1
2.1	017836	SERVICE, LED BAR FASTENERS	1	1	1	1	1	1	1	1	1	1	1	1
3	013244	SWITCH, PUSHBUTTON, 19mm, SPST, 10A, 250VAC	1	1	1	1	1	1	1	1	1	1	1	1
4	017808	SERVICE, PLUG, 1/4-20 SHCS, CHROME, PKG 5	1	1	1	1	1	1	1	1	1	1	1	1

COLOR CODE	COLOR
BK	Stealth - Black
RD	Matador - Red
OR	Citra - Orange
BU	Prince - Blue



\*FOR COLORS, ADD 2 LETTER COLOR CODE TO END OF PART NUMBER (e.g., 000123-BK)

DESCRIPTION	<b>SERVICE, ASSY., CONTROL PANEL, ASPIRE GRILL</b>
DRAWING NO	<b>A2</b>

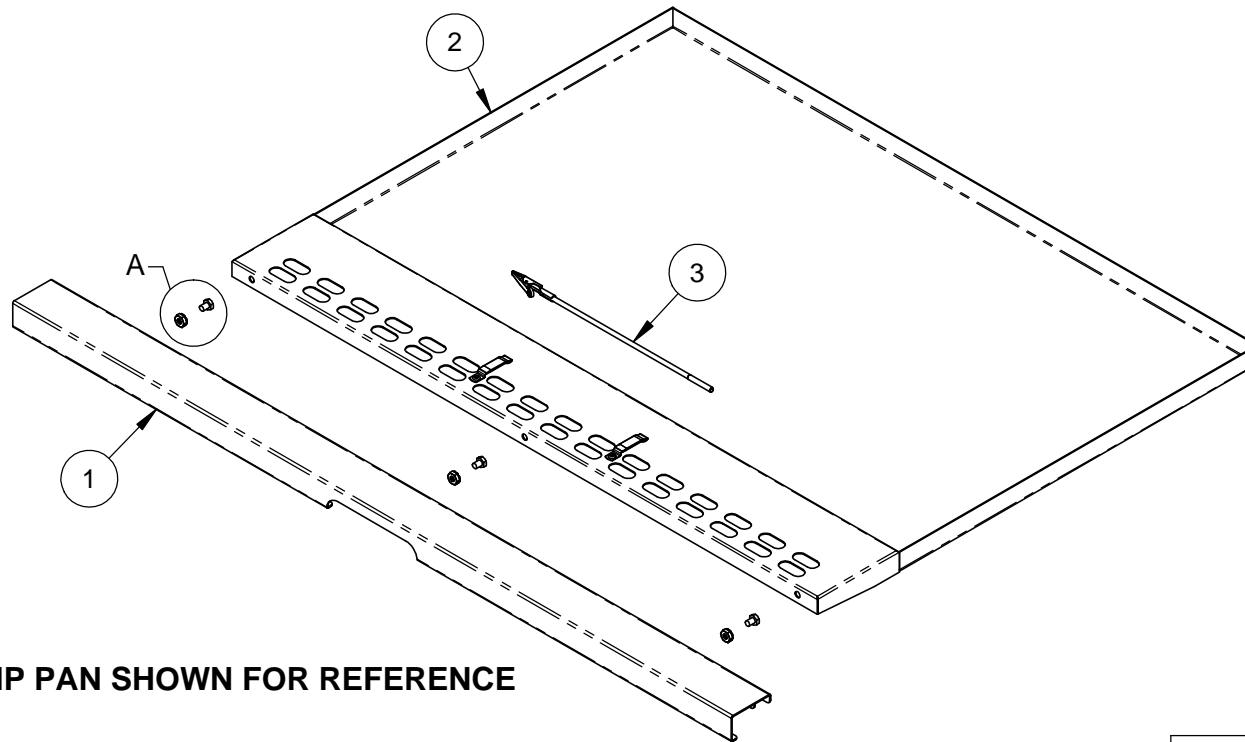


**DETAIL A**  
**SCALE 1 : 1**

ITEM	PART NO.	DESCRIPTION	QTY.		
			30" GRILL	36" GRILL	42" GRILL
1	014507	CHIN, DRIP PAN w/ HANDLE, ASPIRE GRILL, 30	1	-	-
	013280	CHIN, DRIP PAN w/ HANDLE, ASPIRE GRILL, 36	-	1	-
	014743	CHIN, DRIP PAN w/ HANDLE, ASPIRE GRILL, 42	-	-	1
2	014744	FRAME, DRIP PAN, ASPIRE GRILL, 30	1	-	-
	013260	FRAME, DRIP PAN, ASPIRE GRILL, 36	-	1	-
	014745	FRAME, DRIP PAN, ASPIRE GRILL, 42	-	-	1
3	008029	CLIP, MATCH LIGHT	1	1	1
4	017384	SERVICE, NUT, KEPS, #10-24, SS, PKG 4	1	1	1
5	010237	SERVICE, MS, 10-24 X 1/4, HEXHD, SS, PKG 6	1	1	1

**NOTES:**

1. ORDER P/N 014740 FOR THE COMPLETE ASSEMBLY OF ITEMS 1-5 (30" DRIP PAN)
2. ORDER P/N 013258 FOR THE COMPLETE ASSEMBLY OF ITEMS 1-5 (36" DRIP PAN)
3. ORDER P/N 014741 FOR THE COMPLETE ASSEMBLY OF ITEMS 1-5 (42" DRIP PAN)



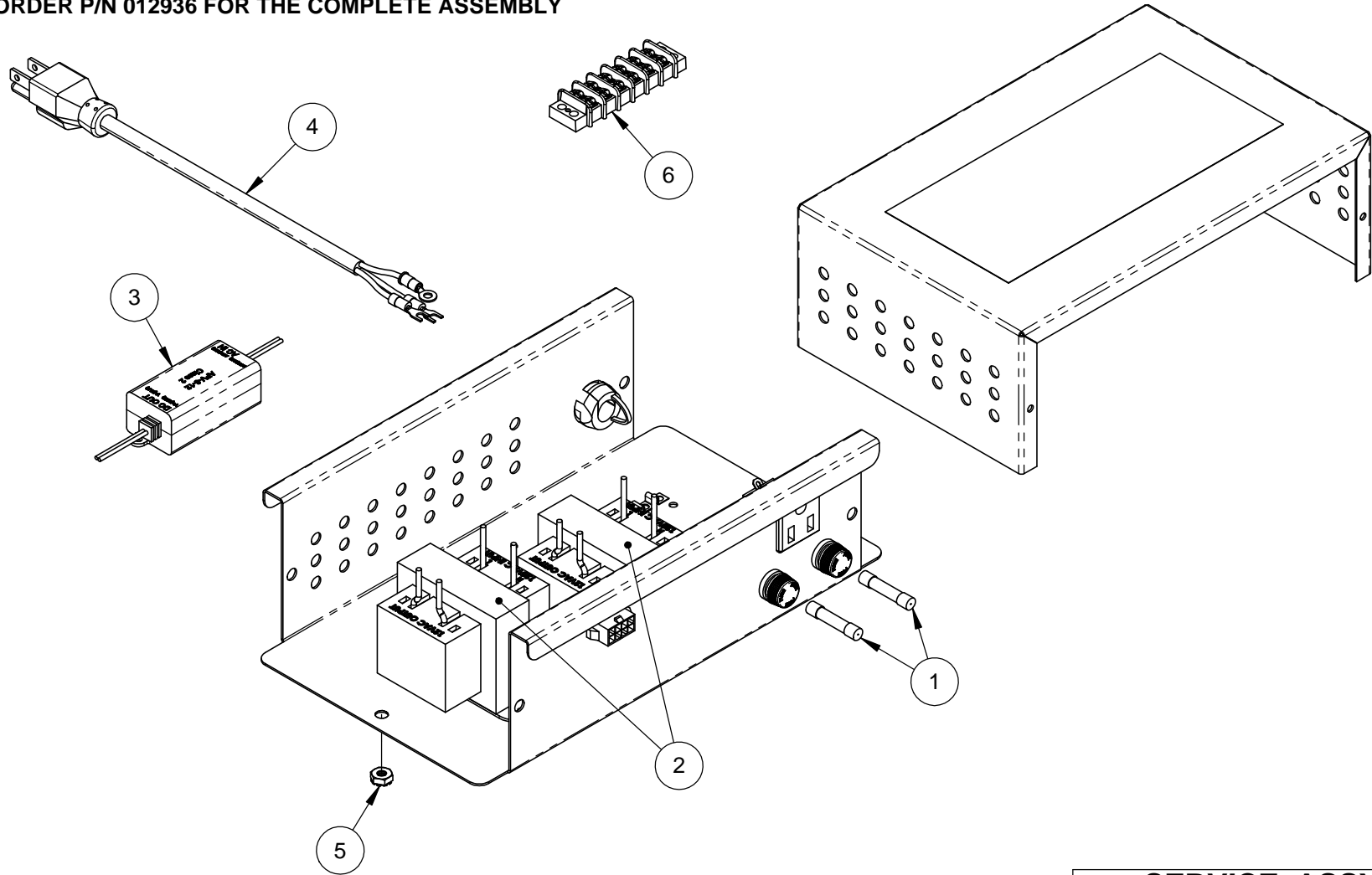
**36" DRIP PAN SHOWN FOR REFERENCE**

DESCRIPTION	<b>SERVICE, ASSY., DRIP PAN, ASPIRE GRILL</b>
DRAWING NO	<b>A3</b>

ITEM	PART NO.	DESCRIPTION	QTY.
1	007732	FUSE, 750mA, 250V, 1/4 X 1-1/4, SLO BLO	2
2	024050	SERVICE, TRANSFORMER, 120V, CLASS 2, 12 VAC, 4.17 A	2
3	023837	SERVICE, KIT, LED DRIVER REPLACEMENT	1
4	023755	SERVICE, CORD, POWER, 79", 3 BLADE PLUG, WITH TERMINALS	1
5	017384	SERVICE, NUT, KEPS, #10-24, SS, PKG 4	1
6	001457	TERMINAL BLOCK, 4 CIRCUIT, 3/8" SPACING	1

**NOTES:**

1. ORDER P/N 012936 FOR THE COMPLETE ASSEMBLY



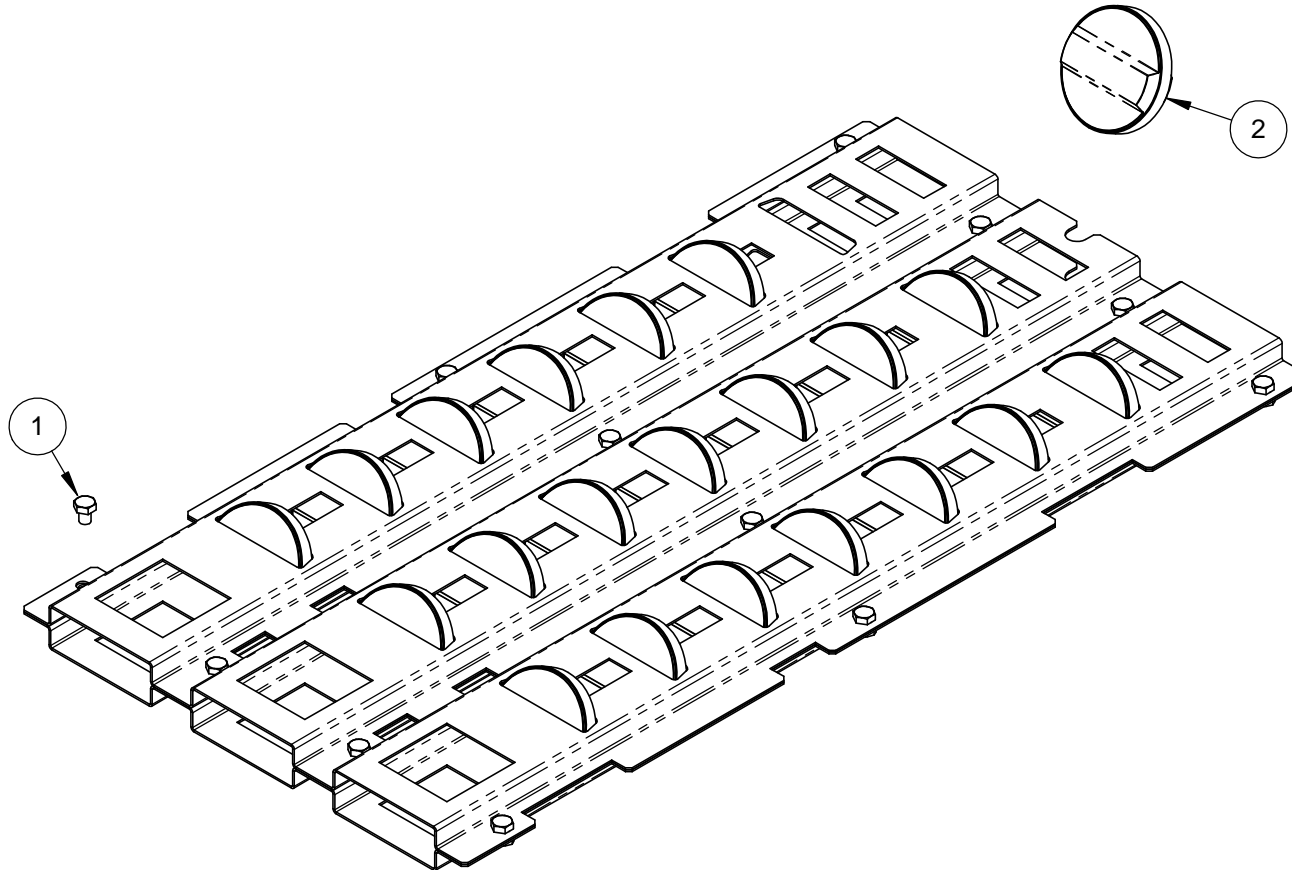
DESCRIPTION	<b>SERVICE, ASSY., ELECTRICAL BOX, ASPIRE GRILL</b>
DRAWING NO	<b>A4</b>



ITEM	PART NO.	DESCRIPTION	QTY.
1	017454	SERVICE, SMS, TEK, #10 X 1/2", SS, PKG 12	1
2	017455	SERVICE, BRIQUETTE, DISC, CERAMIC, ASPIRE GRILL, PKG 5	4

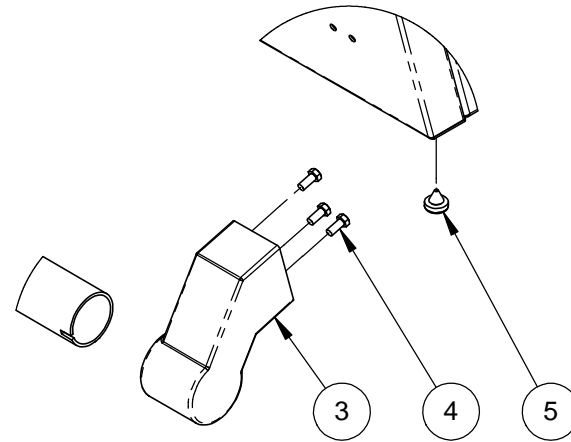
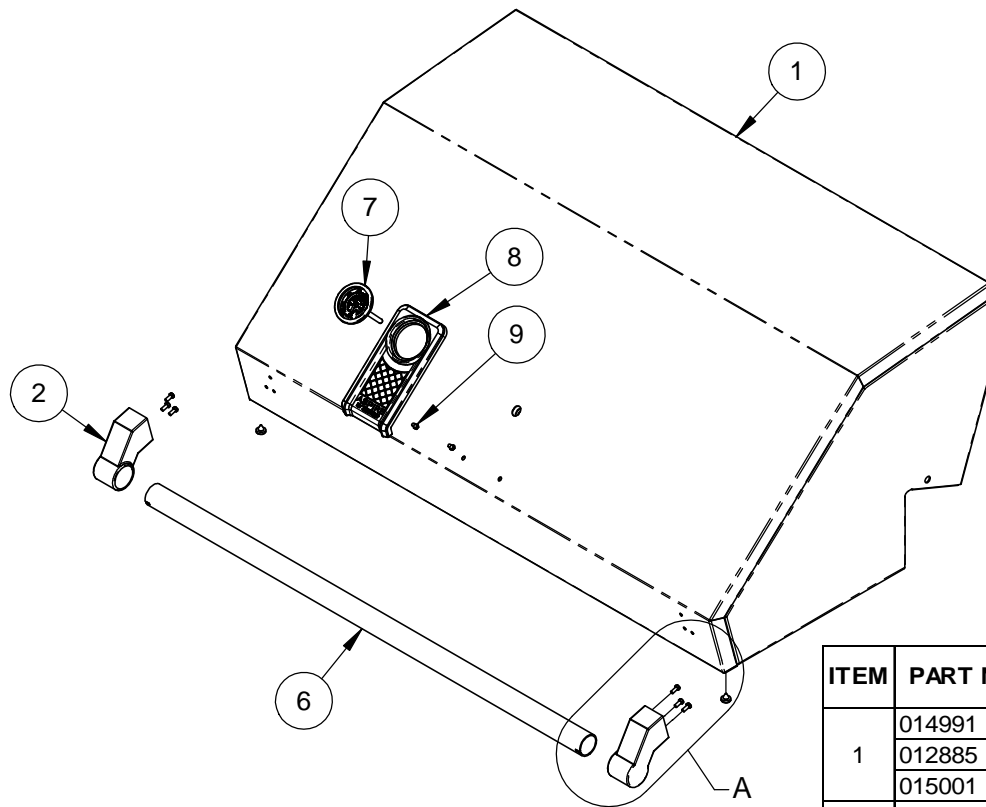
**NOTES:**

1. ORDER P/N 014145 FOR THE COMPLETE ASSEMBLY (30" GRILL)
2. ORDER P/N 013222 FOR THE COMPLETE ASSEMBLY (36" GRILL)
3. ORDER P/N 017068 FOR THE COMPLETE ASSEMBLY (42" GRILL)

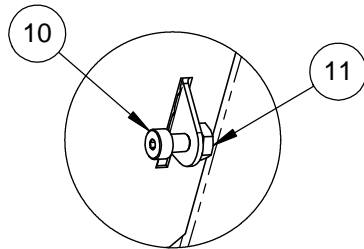


**36" BRIQUETTE TRAY SHOWN FOR REFERENCE**

DESCRIPTION	<b>SERVICE, ASSY., BRIQUETTE TRAY, ASPIRE GRILL</b>
DRAWING NO	<b>A5</b>



**DETAIL A**



**INTERIOR VIEW**

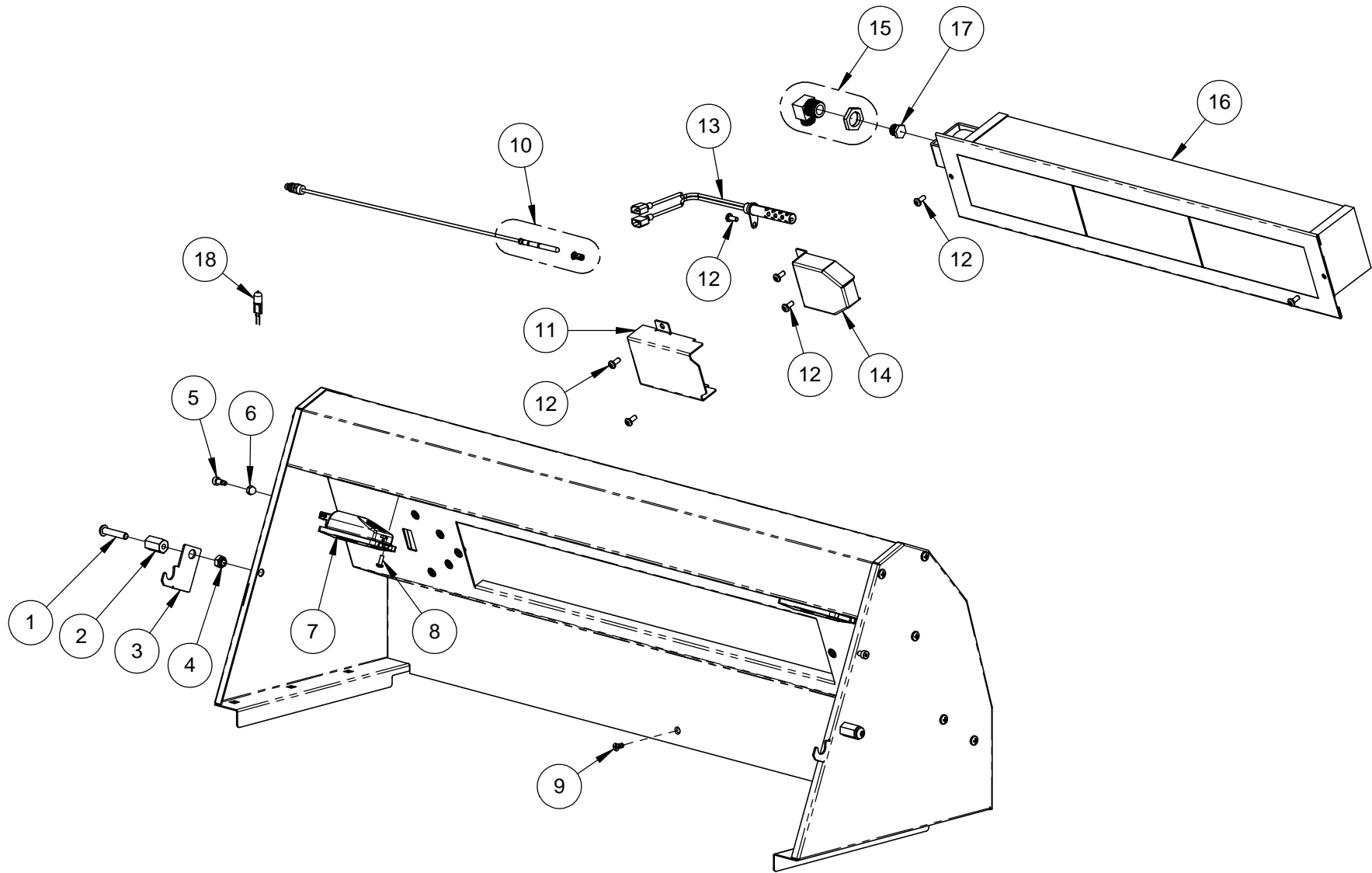
ITEM	PART NO.	DESCRIPTION	QTY.		
			30" GRILL	36" GRILL	42" GRILL
1	014991	LID, ASPIRE GRILL, WA, 30	1	-	-
	012885	LID, ASPIRE GRILL, WA, 36	-	1	-
	015001	LID, ASPIRE GRILL, WA, 42	-	-	1
2	000463	ENDCAP, HANDLE, LH, SM	1	1	1
3	000704	ENDCAP, HANDLE, RH, SM	1	1	1
4	010198	SERVICE, MS, 8-32 X .375, HEXHD, SS, PKG 6	1	1	1
5	017444	BUMPER, RUBBER, .50 DIAM. X .156 H, PKG 2	1	1	1
6	013421-030	HANDLE, LID, ASPIRE GRILL, 30	1	-	-
	013421-036	HANDLE, LID, ASPIRE GRILL, 36	-	1	-
	013421-042	HANDLE, LID, ASPIRE GRILL, 42	-	-	1
7	007209	THERMOMETER, GRILL	1	1	1
8	013378	LOGO, BADGE, ASPIRE GRILL	1	1	1
9	017445	SERVICE, MS, 8-32 X .25, HEXHD, SS, PKG 2	1	1	1
10	017446	SERVICE, SB, #8-32 X 3/16 DIA X 1/4L, SS, PKG 2	1	1	1
11	011711	SERVICE, NUT, KEPS, #8-32, SS, PKG 6	1	1	1

**NOTES:**

1. ORDER P/N 014997 FOR THE COMPLETE ASSEMBLY OF ITEMS 1-11 (30" HOOD)
2. ORDER P/N 014270 FOR THE COMPLETE ASSEMBLY OF ITEMS 1-11 (36" HOOD)
3. ORDER P/N 015000 FOR THE COMPLETE ASSEMBLY OF ITEMS 1-11 (42" HOOD)

**36" HOOD SHOWN FOR REFERENCE**

DESCRIPTION	<b>SERVICE, ASSY., LID, ASPIRE GRILL</b>
DRAWING NO	<b>A6</b>



36" ROTISSERIE MODEL SHOWN FOR REFERENCE

DESCRIPTION	<b>SERVICE, ASSY., CANOPY, ASPIRE GRILL</b>
DRAWING NO	<b>A7</b> (1 OF 2)

ITEM	PART NUMBER	DESCRIPTION	QTY																	
			EABR30-NG	EABR30-LP	EAB30-NG/LP	EMBR30-NG	EMBR30-LP	EMB30-NG/LP	EABR36-NG	EABR36-LP	EAB36-NG/LP	EMBR36-NG	EMBR36-LP	EMB36-NG/LP	EABR42-NG	EABR42-LP	EAB42-NG/LP	EMBR42-NG	EMBR42-LP	EMB42-NG/LP
1	017825	SERVICE, SHCS, 1/4-20 X 1.25", BTN HD, SS, PKG 2	1	1	1	1	1	1	1	1	1	1	1	1	1	1	1	1	1	1
2	017826	SERVICE, STANDOFF, LID, PKG 2	1	1	1	1	1	1	1	1	1	1	1	1	1	1	1	1	1	1
3	013045	CRADLE, SPIT, ASPIRE GRILL	2	2	2	2	2	2	2	2	2	2	2	2	2	2	2	2	2	2
4	010240	SERVICE, NUT, LCK, EXPANDING, 1/4-20, SS, PKG 8	1	1	1	1	1	1	1	1	1	1	1	1	1	1	1	1	1	1
5	017446	SERVICE, SB, #8-32 X 3/16 DIA X 1/4L, SS, PKG 2	1	1	1	1	1	1	1	1	1	1	1	1	1	1	1	1	1	1
6	011709	SERVICE, NUT, ACORN, 8-32 X 5/16", SS, PKG 6	1	1	1	1	1	1	1	1	1	1	1	1	1	1	1	1	1	1
7	006134	LAMP, HALOGEN, 30 X 70mm, 20W	2	2	2	2	2	2	2	2	2	2	2	2	2	2	2	2	2	2
8	017829	SERVICE, MS, 6-32 X .375, PH, PAN, SS, PKG 2	1	1	1	1	1	1	1	1	1	1	1	1	1	1	1	1	1	1
9	017830	SERVICE, MS, 8-32 X .375, PH, FLT, UC, SS, PKG 4	1	1	1	1	1	1	1	1	1	1	1	1	1	1	1	1	1	1
10	010220	SERVICE, THERMOCOUPLE & CLIP, IR BURNER, GRILL	1	1	1	1	1	1	1	1	1	1	1	1	1	1	1	1	1	1
11	006115	WIRE COVER, ROTISS IGNITER, GRILL	1	1	1	1	1	1	1	1	1	1	1	1	1	1	1	1	1	1
12	010222	SERVICE, MS, 8-32 X .375, TORX, PAN, SS, PKG 10	1	1	1	1	1	1	1	1	1	1	1	1	1	1	1	1	1	1
13	006094	IGNITER, HOT SURFACE, ROTIS.	1	1	1	1	1	1	1	1	1	1	1	1	1	1	1	1	1	1
14	007554	SHROUD, IGNITER, ROTISS BURNER, GRILL, WA	1	1	1	1	1	1	1	1	1	1	1	1	1	1	1	1	1	1
15	010218	SERVICE, ORIFICE ELBOW & NUT, IR BURNER, GRILL	1	1	1	1	1	1	1	1	1	1	1	1	1	1	1	1	1	1
16	008277	BURNER, INFRARED, ROTISS, HR12	1	1	-	1	1	-	-	-	-	-	-	-	-	-	-	-	-	-
	006098	BURNER, INFRARED, ROTISS, HR14	-	-	-	-	-	-	1	1	-	1	1	-	1	1	-	1	1	-
*17	002865-051	ORIFICE, SPUD, DMS 51 (30" GRILL - NATURAL GAS)	1	-	-	1	-	-	-	-	-	-	-	-	-	-	-	-	-	-
	002865-060	ORIFICE, SPUD, DMS 60 (30" GRILL - LIQUID PROPANE)	-	1	-	-	1	-	-	-	-	-	-	-	-	-	-	-	-	-
	002865-050	ORIFICE, SPUD, DMS 50 (36" & 42" GRILL - NATURAL GAS)	-	-	-	-	-	-	1	-	-	1	-	-	1	-	-	1	-	-
	002865-057	ORIFICE, SPUD, DMS 57 (36" & 42" GRILL - LIQUID PROPANE)	-	-	-	-	-	-	-	1	-	-	1	-	-	1	-	-	1	-
18	018142	SERVICE, BULB, HALOGEN, G4 BI-PIN, 20W, PKG 2	1	1	1	1	1	1	1	1	1	1	1	1	1	1	1	1	1	1

\*THESE ORIFICE SIZES VALID ONLY AT SEA LEVEL.  
REFER TO ORIFICE CHART IN USER MANUAL FOR HIGH ELEVATION ORIFICE SIZES.

# ASPIRE

## BY HESTAN

Hestan Commercial Corporation

3375 E. La Palma Ave.

Anaheim, CA 92806

(888) 905-7463

RETAIN THIS FOR FUTURE REFERENCE