

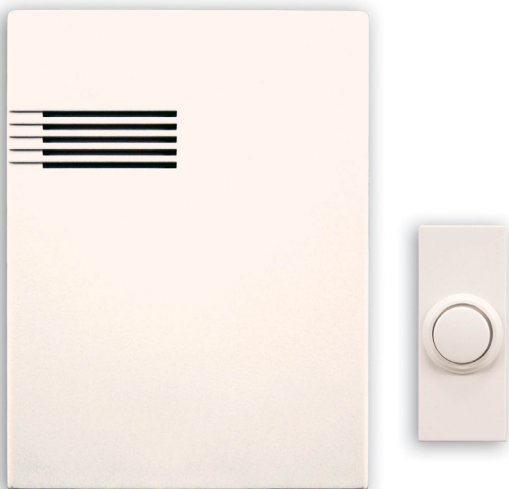
Wireless Door Chime Kit

BATTERY POWERED

Heath®/Zenith

SPECIFICATION SHEET

Model # **SL-6164**



Kit Includes

- (1) Battery-operated wireless chime
- (1) Wireless push button
- (1) 12V "A23" battery for push button
- (1) Hardware pack

Transmission Range

- Up to 100 feet

Color

- Chime: Off-White
- Push Button: Off-White

Front Door Sound

- 64 Selectable multi-note tunes (D9 - default)

Back Door Sound

- 1-Note ding

Dimensions

- Chime: 4.5" wide x 1.75" deep x 6.0" high
- Push Button: 1.0" wide x 0.875" deep x 2.5" high

Battery Life

- Chime: 3 years
- Push Button: 2 years

Warranty

- 1 Year

All Heath®/Zenith wireless door chimes and push buttons are compatible in order to create the system you need.

SPECIFICATIONS

Power Supply

- Chime: (3) – "D" batteries (not included)
- Push Button: (1) – 12V "A23" battery (included)

Chime Base

- Electronic with speaker

Channel Codes

- 128 selectable

RF Frequency

- 315 MHz

JOB #

JOB NAME

HeathCo™

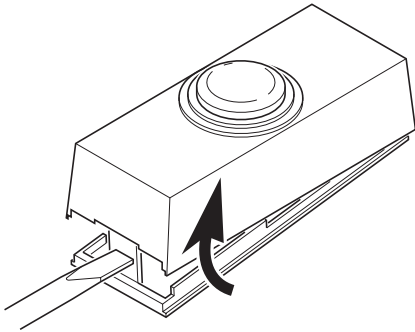
2445 Nashville Road
P.O. Box 90045
Bowling Green, KY 42102-9045

Tech Service (800) 858-8501
Sales (270) 846-8400
Fax (270) 846-8501

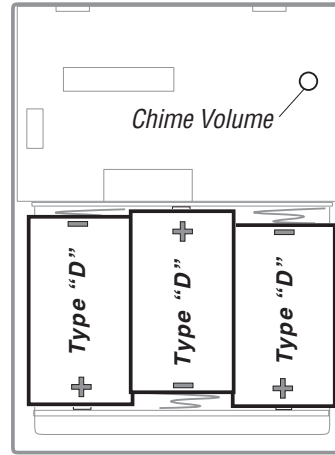
www.heath-zenith.com

INSTALLATION

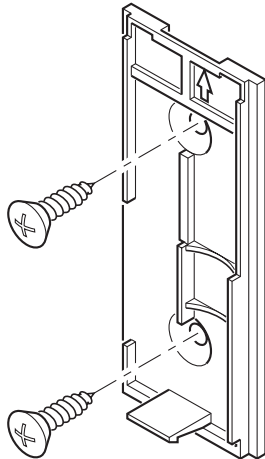
Style of push button and chime may vary from illustration.



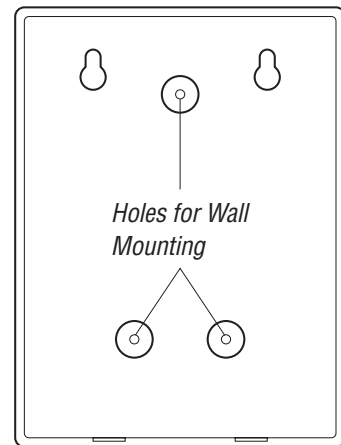
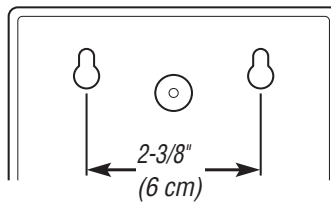
Open Push Button



Chime Battery Installation



Push Button Installation



Chime Installation

Note: Chime shown mounted vertically.