

# Motion Activated DECORATIVE LIGHTING

Heath®/Zenith

SPECIFICATION SHEET

Model # **SL-4170**



Available Colors: Antique Copper (SL-4170-AC),  
Polished Brass (SL-4170-PB), and Antique Silver (SL-4170-SA)

## SPECIFICATIONS

### Power Supply

- 120VAC, 60 Hz

### Wires

- AWG#18 (UL Recognized)

### Max Load

- Up to 100 Watts Incandescent, Medium Base

### Operating Temperature

- -22° F to +120° F

### Sensor Capacity

- Up to 500 Watts (3.0 A) Maximum Incandescent

### Range

- Detects motion up to 30 Feet

### Operating Modes

- TEST, AUTO, MANUAL

### ON-Timer

- TEST, 1, 5 or 10 Minutes

### Dimensions

W: 6"

D: 7"

H: 11"



### Features

- Clear beveled glass
- Metal, weather resistant finish
- 150° motion detection angle
- Selectable on-time from 1, 5 or 10 minutes
- Adjustable sensitivity
- 2 Year Warranty

### Applications

- Porch
- Garage
- Breezeway

### Operating Modes

**TEST:** Overrides the photocell to allow the light to be setup during daylight hours.

**AUTO:** Lights automatically come on when motion is detected.

**MANUAL:** Lights stay on full bright until dawn. Photocell then resets light to AUTO mode.

### ON-Timer

Turns lights on full bright when motion is detected. There are 4 preset selections for the amount of time the lights stay on: Test (5 seconds), 1, 5 or 10 minutes.

### Adjustable Sensitivity

You can adjust the motion sensor's sensitivity to movement of heat.



JOB #

JOB NAME

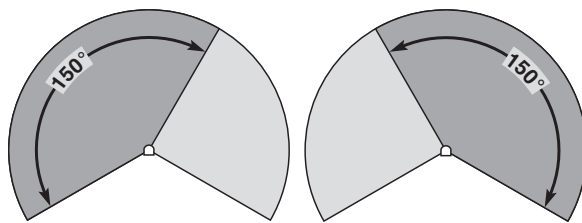
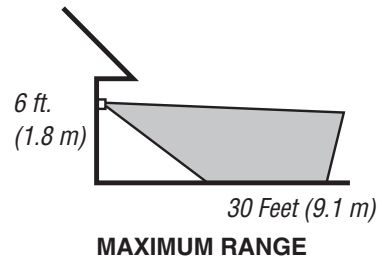
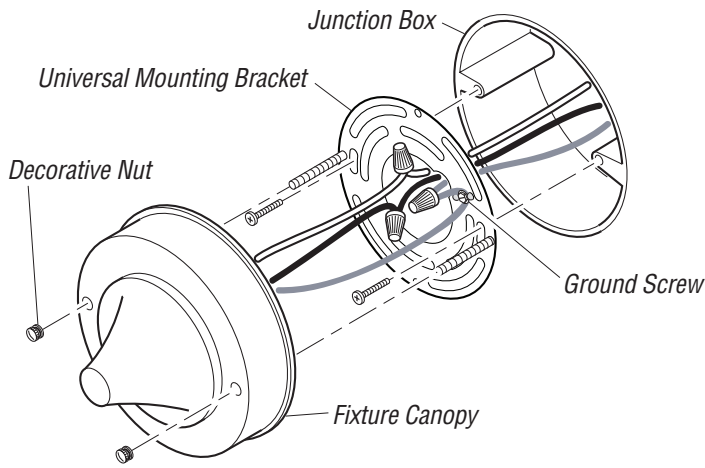
**HeathCo™**

2445 Nashville Road  
P.O. Box 90045  
Bowling Green, KY 42102-9045

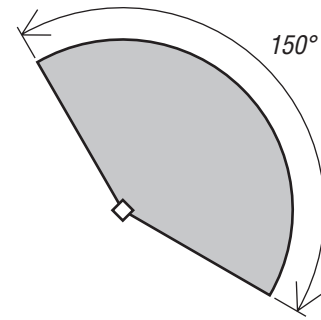
Tech Service (800) 858-8501  
Sales (270) 846-8400  
Fax (270) 846-8501

[www.heath-zenith.com](http://www.heath-zenith.com)

**USAGE & COVERAGE**



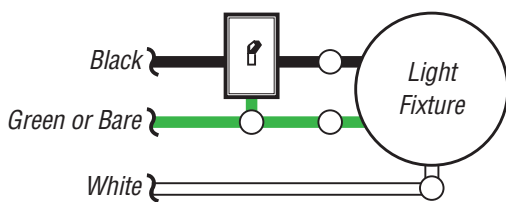
ROTATING SENSOR HEAD TO CHANGE COVERAGE AREA



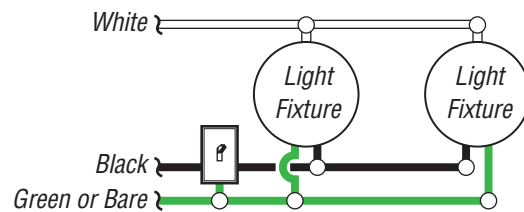
COVERAGE ANGLE (TOP VIEW)

**WIRING**

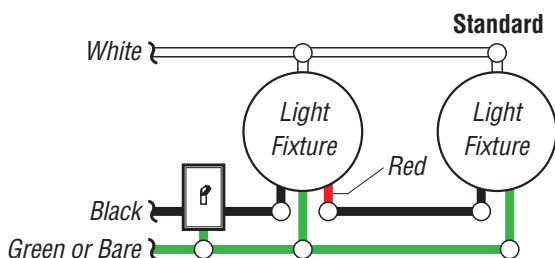
**!** WARNING: Turn power off at the circuit breaker before wiring.



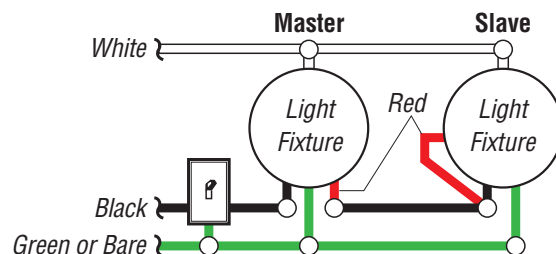
ONE MOTION SENSING LIGHT



TWO MOTION SENSING LIGHTS (WORKING INDEPENDENTLY)



WIRING MOTION SENSING LIGHT TO CONTROL STANDARD FIXTURE



WIRING MOTION SENSING LIGHT TO CONTROL ANOTHER MOTION SENSING LIGHT