

# Wireless Door Chime Kit

## BATTERY POWERED

Heath®/Zenith

SPECIFICATION SHEET

Model # **SL-6180**



### Kit Includes

- (1) Battery-operated wireless chime
- (1) Wireless push button
- (1) 12V "A23" battery for push button
- (1) Hardware pack

### Transmission Range

- Up to 150 feet

### Color

- Chime: Off-white with satin tubes
- Push Button: Off-White

### Front Door Sound

- 8-Note Westminster (default) or 2-note ding-dong

### Back Door Sound

- 1-Note ding

### Dimensions

- Chime: 6.0" wide x 2.0" deep x 6.375" high
- Push Button: 1.0" wide x 0.875" deep x 2.5" high

### Battery Life

- Chime: 3 years
- Push Button: 2 years

### Warranty

- 1 Year

All Heath®/Zenith wireless door chimes and push buttons are compatible in order to create the system you need.

## SPECIFICATIONS

### Power Supply

- Chime: (3) – "D" batteries (not included)
- Push Button: (1) – 12V "A23" battery (included)

### Chime Base

- Electronic with speaker

### Channel Codes

- 128 selectable

### RF Frequency

- 315 MHz

JOB #

JOB NAME

**HeathCo™**

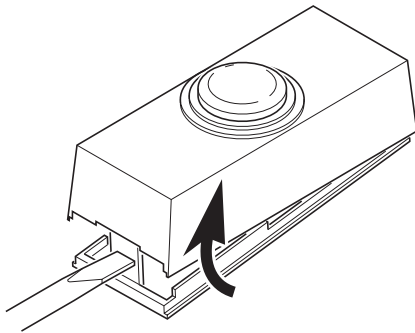
2445 Nashville Road  
P.O. Box 90045  
Bowling Green, KY 42102-9045

Tech Service (800) 858-8501  
Sales (270) 846-8400  
Fax (270) 846-8501

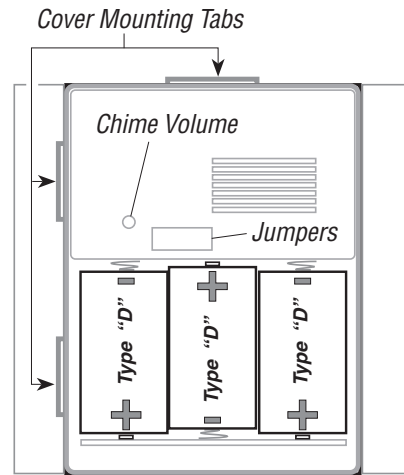
[www.heath-zenith.com](http://www.heath-zenith.com)

## INSTALLATION

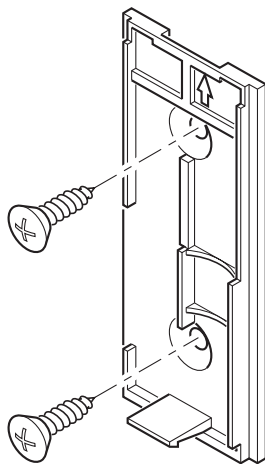
Style of push button and chime may vary from illustration.



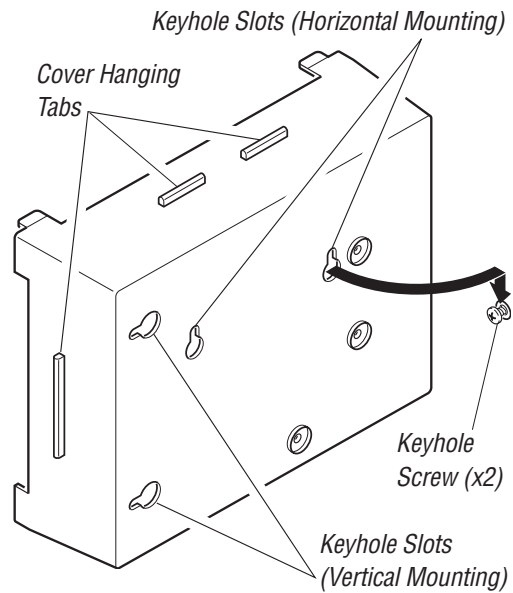
**Open Push Button**



**Chime Battery Installation**



**Push Button Installation**



**Chime Installation**

Note: Chime shown mounted horizontally.