

Wireless Door Chime Kit

BATTERY POWERED

Heath®/Zenith

SPECIFICATION SHEET

Model # **SL-6150**



SPECIFICATIONS

Power Supply

- Chime: (2) – “C” batteries (not included)
- Push Button: (1) – 12V “A23” battery (included)

Chime Base

- Electronic with speaker

Channel Codes

- 128 selectable

RF Frequency

- 315 MHz

Kit Includes

- (1) Battery-operated wireless chime
- (1) Wireless push button
- (1) 12V “A23” battery for push button
- (1) Hardware pack

Transmission Range

- Up to 100 feet

Color

- Chime: Off-White
- Push Button: Off-White

Front Door Sound

- 2-Note ding-dong (sound “F”)
- 75 Decibel maximum

Back Door Sound

- 1-Note ding

Dimensions

- Chime: 2.625" wide X 5.125" high X 1.375" deep
- Push Button: 1.0" wide X 2.5" high X 0.875" deep

Battery Life

- Chime: 1 year
- Push Button: 2 years

Warranty

- 1 Year

All Heath®/Zenith wireless door chimes and push buttons are compatible in order to create the system you need.

JOB #

JOB NAME

HeathCo™

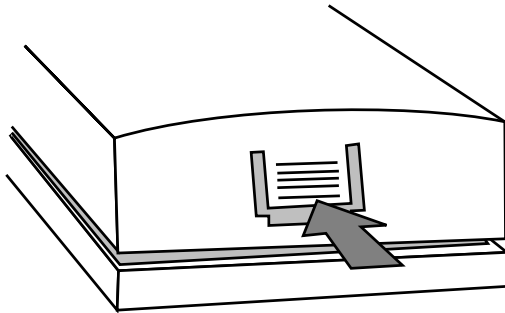
2445 Nashville Road
P.O. Box 90045
Bowling Green, KY 42102-9045

Tech Service (800) 858-8501
Sales (270) 846-8400
Fax (270) 846-8501

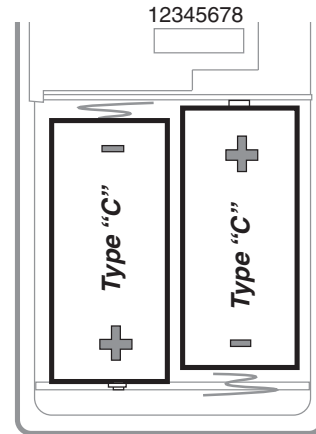
www.heath-zenith.com

INSTALLATION

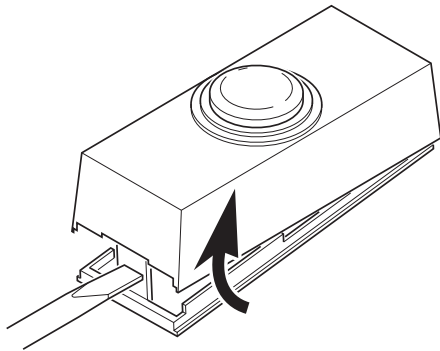
Style of push button and chime may vary from illustration.



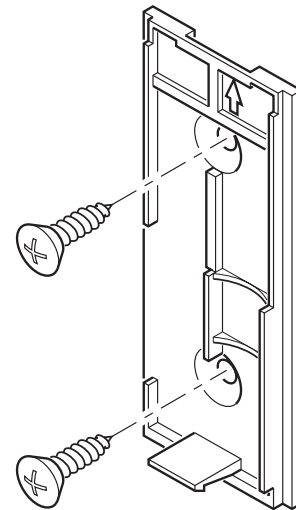
Open Chime Case



Chime Battery Installation



Open Push Button



Push Button Installation