

Wired Door Chime STUCCO KIT

Heath[®]/Zenith

SPECIFICATION SHEET

Model # **100**



Kit Includes

- (1) Wired chime
- (1) 16 Volt transformer, UL & CSA listed
- (1) Rough-In stucco wall insert
- (1) Unlighted gold finish push button

Features

- 2-Note mechanical ding-dong for front door
- 1-Note mechanical ding for back door (additional push button required)
- Wall insert eliminates the need to drill through finished stucco. It holds a space for push button wiring

Warranty

- 1 Year

Applications

Kit is primarily for stucco homes, but works for all new installations

SPECIFICATIONS

Power Supply

- Input: 120VAC, 60 Hz
- Output: 16VAC Transformer

Wires

- Requires 20 AWG Minimum

JOB #

JOB NAME

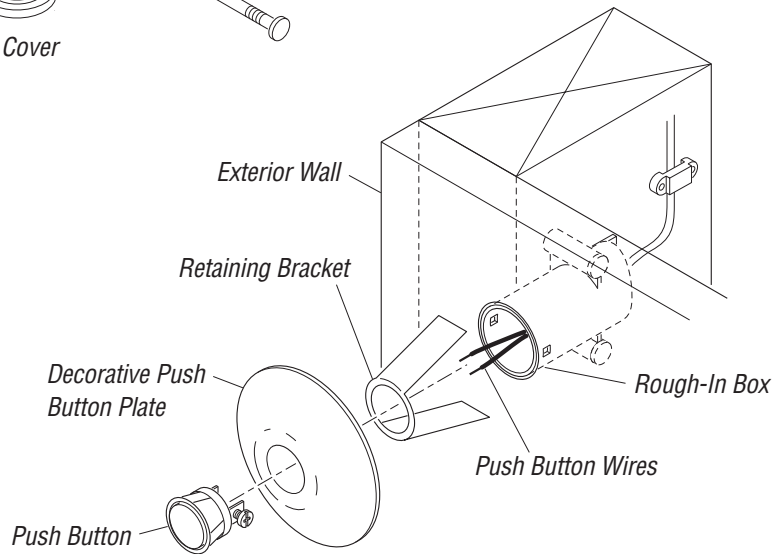
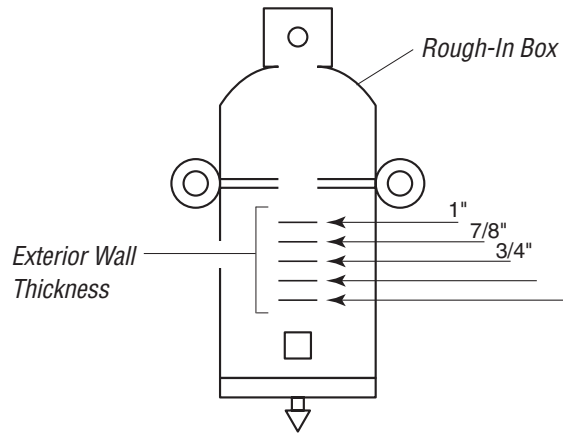
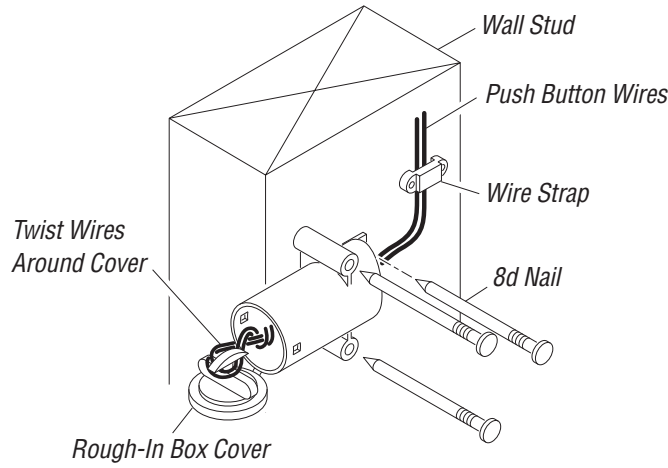
HeathCo[™]

2445 Nashville Road
P.O. Box 90045
Bowling Green, KY 42102-9045

Tech Service (800) 858-8501
Sales (270) 846-8400
Fax (270) 846-8501

www.heath-zenith.com

USAGE & INSTALLATION



WIRING

! WARNING: Turn power off at the circuit breaker before wiring transformer.

