

Wireless Chime ENTRY ALERT KIT

Heath®/Zenith

SPECIFICATION SHEET

Model # **SL-6168**



Kit Includes

- (1) Plug-in wireless chime
- (1) Battery-operated magnetic sensor
- (1) Door magnet
- (1) Spacer
- (1) 12V "A23" battery for magnetic sensor
- (1) Hardware pack

Transmission Range

- Up to 100 feet

Color

- Chime: Appliance White
- Magnetic Sensor: Appliance White
- Door Magnetic: Appliance White
- Spacer: Appliance White

Front Door Sound

- 8-Note Westminster or 2-Note ding-dong (sound "G")
- 75 Decibel maximum

Back Door Sound

- 1-Note ding

Dimensions

- Chime: 3.5" wide X 5.125" high X 1.375" deep
- Magnetic Sensor: 1.5" wide X 2.5" high X 0.75" deep
- Door Magnet: 1.5" wide X 0.5625" high X 0.5" deep
- Spacer: 1.625" wide X 0.625" high X 0.625" deep

Warranty

- 5 Years

All Heath®/Zenith wireless door chimes and push buttons are compatible in order to create the system you need.

SPECIFICATIONS

Power Supply

- Chime: 120VAC – 60 HZ
- Push Button: (1) – 12V "A23" battery (included)

Chime Base

- Electronic with speaker

Channel Codes

- 128 selectable

RF Frequency

- 315 MHz



JOB #

JOB NAME

HeathCo™

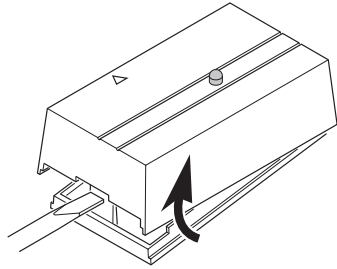
2445 Nashville Road
P.O. Box 90045
Bowling Green, KY 42102-9045

Tech Service (800) 858-8501
Sales (270) 846-8400
Fax (270) 846-8501

www.heath-zenith.com

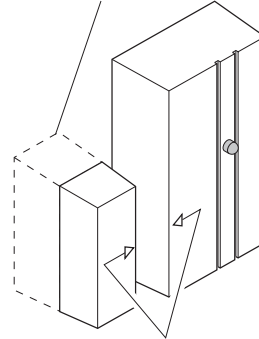
INSTALLATION

Style of push button and chime may vary from illustration.



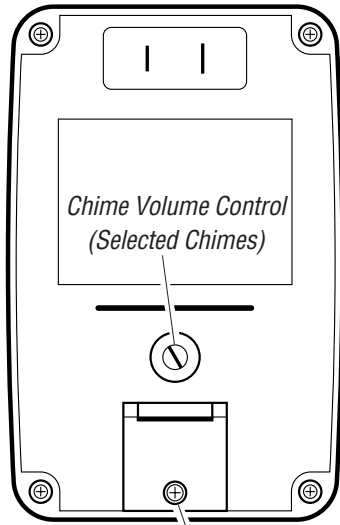
Open Magnetic Sensor

Use Optional Spacer if Needed



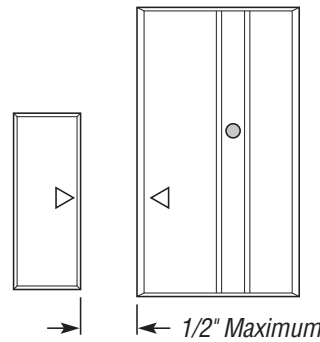
Alignment Arrows

Door Magnet and Sensor Alignment



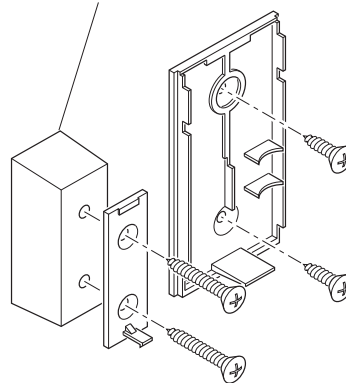
Jumper Access Door

Back of Chime



Door Magnet and Sensor Spacing

Use Optional Spacer if Needed



Door Magnet and Sensor Installation