

# Wired Door Chime ROUGH-IN BOX KIT

**Heath / Zenith**

SPECIFICATION SHEET

Model # **120**



Model # **119**



**Model 120**

**Kit Includes**

- (1) Wired chime
- (1) Rough-In box, UL listed
- (1) 16 Volt transformer, UL listed
- (1) Lighted white push buttons

**Features**

- UL listed rough-in box speeds up installation
- 2-Note mechanical ding-dong for front door
- 1-Note mechanical ding for back door

**Applications**

*Works for all new installations*

**Warranty**

- 1 Year

*Model 119 transformer with UL listed rough-in box also sold separately*

## SPECIFICATIONS

**Power Supply**

- Input: 120VAC, 60 Hz
- Output: 16VAC Transformer

**Wires**

- Requires 20 AWG Minimum

<b>JOB #</b>	
<b>JOB NAME</b>	

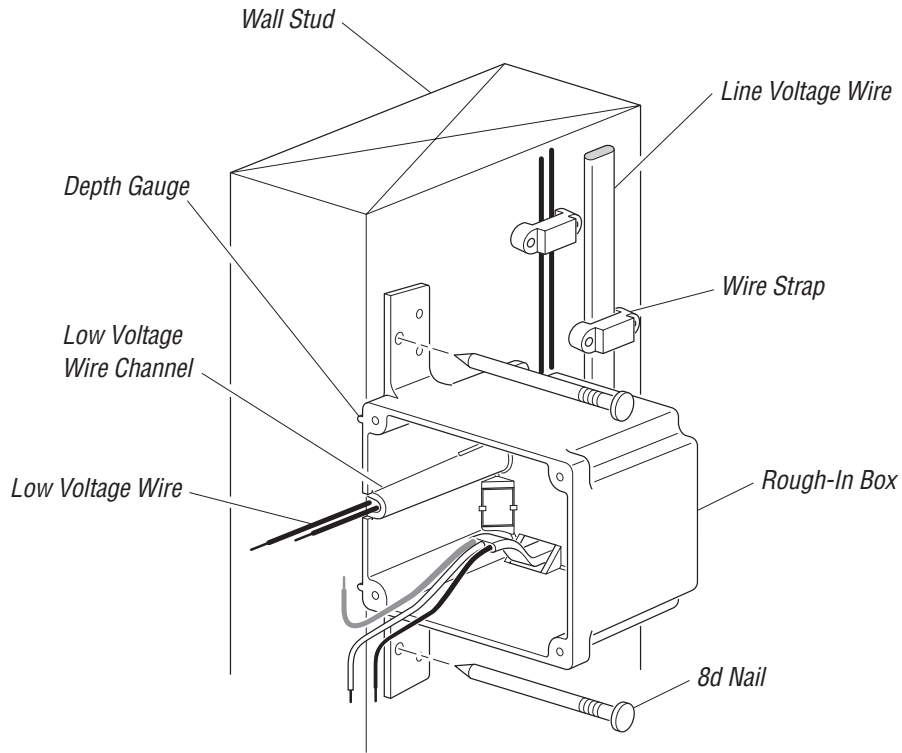
**HeathCo™**

2445 Nashville Road  
P.O. Box 90045  
Bowling Green, KY 42102-9045

Tech Service (800) 858-8501  
Sales (270) 846-8400  
Fax (270) 846-8501

[www.heath-zenith.com](http://www.heath-zenith.com)

## USAGE & INSTALLATION



## WIRING

**⚠ WARNING:** Turn power off at the circuit breaker before wiring.

