

Saf-T Vent® SC Specifications for Special Gas Vent Applications, Reduced Clearance Installations, and Approved Sealed Combustion Appliances

The Saf-T Vent® SC is a concentric vent system designed for zero clearance installation in residential and light commercial applications. It is approved for use on ANSI Category I, II, III, and IV Gas-Burning Appliances, and Direct Vent or Sealed Combustion Appliances as approved by the appliance manufacturer.

The Saf-T Vent SC factory-built Special Gas Vent and Gas Vent Connector is Tested and Listed by Underwriters Laboratories to UL 1738/ULC S636 and is for use with Listed natural gas or propane burning equipment. The system is to be installed and sealed per the manufacturers' instructions so the flue gas conduit is gas tight, preventing leakage of products of combustion into a building.

Saf-T Vent SC is a double-wall product that consists of a flue-gas conduit fabricated from AL 29-4C®, which is ideal for use with modern gas-burning equipment that may produce excessive amounts of condensation in the vent. The outer jacket of the system is constructed from stainless steel with a space of approximately one inch between the flue-gas conduit and the jacket.

Some appliances are Listed to utilize the space between the flue-gas conduit and the outer jacket for combustion air supply. This design allows exhaust and air intake to occur through a single penetration through the building structure.

All joints in the Saf-T Vent SC system have a "straight-seal" design, and are equipped with a factory-applied seal. The outer jacket is secured with three stainless steel screws. This closure system is tested to be gas tight at two and one-half times the Listed pressure rating of eight (8) inches water column.

When connected to gas-burning appliances with a maximum continuous flue-gas temperature rating of 550°F/288°C, Saf-T Vent SC may be installed unenclosed, or within a non-combustible chase or joist bay, or within a vertical combustible enclosure at zero (0") clearance (maximum 30 degrees offset).

When connected to gas-burning appliances with a maximum continuous flue-gas temperature rating of 330°F/166°C, Saf-T Vent SC may be installed within a combustible horizontal enclosure (joist bay) at zero (0") clearance.

When connected to gas-burning appliances with a maximum continuous flue-gas temperature rating of 400°F/204°C, Saf-T Vent SC may be installed within a combustible horizontal enclosure (joist bay) at one inch (1") clearance.

The Saf-T Vent SC system is to be sized and installed only in accordance with appliance manufacturers' specifications, the most current edition of NFPA 211 Standard for Chimneys, Fireplaces, Vents, and Solid Fuel-Burning Appliances, the most current edition of NFPA 54 National Fuel Gas Code (ANSI Z223.1) or CSA B 149.1, and any other applicable local, regional, and national codes.

TECHNICAL SPECIFICATION

Product	Saf-T Vent SC Special Gas Vent and Gas Vent Connector
Uses	Vents (Horizontal or Vertical) for Gas-Burning Appliances, suitable for ANSI Category I, II, III, and IV Gas-Burning Appliances, certain Direct Vent Appliances, and approved Sealed Combustion applications.
Fuels	Natural gas or propane fired equipment
Pressure	Positive up to 8" wc, negative, or neutral
Standard	
Diameters	3", 4"
Lengths	12", 24", 36", and Adjustable
Elbows	45° and 90°
Fittings	Complete range of Adapters, Terminations, and Accessories
Flue-Gas Conduit	AL 29-4C® stainless steel
Jacket	Stainless steel

©2003 Heat-fab, Inc. Product Specifications subject to change without Notice. All Rights Reserved. Saf-T Vent is a registered trademark of Heat-fab, Inc. AL 29-4C is a registered trademark of ATI Properties, Inc..

www.heat-fab.com 130 Industrial Blvd., Turners Falls, MA 01376

Pub #11467-110703



Technical and Dimensional Data

Saf-T Vent[®] SC

3"/5" & 4"/7" Concentric Reduced Clearance
Double Wall

for Special Gas Vent and/or
Sealed Combustion Systems

Also For Venting Listed Gas or Oil Fired Appliances
Listed as Suitable For Venting With Type L Systems



Tested and Listed to
UL 1738/ULC S636
UL641 & ULC/ORD-CC441
by Underwriters Laboratories, Inc



130 Industrial Boulevard
Turners Falls, MA 01376

© Copyright 2008 Selkirk Corp.
Saf-T Vent is a registered trademark of Selkirk Corp.
AL 29-4C is a registered trademark of ATI Properties, Inc.
UL and the UL Mark are registered trademarks of
Underwriters Laboratories, Inc.

Call 800 772 0739
Fax 413 863 4803

Saf-T Vent[®] SC

DOUBLE WALL SPECIAL GAS VENT

TABLE OF CONTENTS

CATEGORY	PART DESCRIPTION	PAGE
Introduction		3
Accessories	Vertical / Horizontal In-Line Drain Section	4
	Condensate Drain Tube Kit	4
Adapters	Single Wall Adapter / Appliance Adapter	5
	Air Intake Tee	5
Elbows	45° Elbow	6
	90° Elbow	6
Straight Lengths	6" Length	7
	1' Length	7
	2' Length	7
	3' Length	7
	Adjustable Length	7
Supports & Hanger	Vertical Support Leg	8
	0" Clearance Support Clamp	8
	1" Clearance Support Clamp	8
	Outer Jacket Support Clamp	8
Termination	Firestop / Support / Wall Plate	9
Accessories	Tall Cone Flashing / Support	9
	Storm Collar	9
	Horizontal Termination Adapter	10
	Vertical Termination Adapter	10
Terminations	Tee Termination with Screen	11
	Mitered Termination with Screen	11
	Elbow Termination with Screen	11
	Screen Termination	12
	Rain Cap	12

Heatfab

Saf-T Vent[®] SC

DOUBLE WALL SPECIAL GAS VENT

Introduction:

Saf-T Vent SC is an advanced concentric vent system designed for zero clearance installation in residential and light commercial applications. The inner wall is constructed from superferritic AL 29-4C[®]. The outer wall is stainless steel, providing durability and a lasting finish.

The double-wall construction of Saf-T Vent SC allows the system to be fully enclosed by combustible materials at zero or one-inch clearance depending on layout and flue gas temperature. Saf-T Vent SC is UL and CUL Listed to UL 1738 / ULC S636 (File MH16161). It may be used on negative, neutral, and positive pressure systems up to eight (8) inches w.c.

As a Special Gas Vent system: Saf-T Vent SC is approved for use on ANSI Category I, II, III, and IV Gas-Burning Appliances and certain Direct Vent appliances. Saf-T Vent SC is appropriate for use on appliances that specify an AL 29-4C venting system.

As a Sealed Combustion system: The unique concentric design of Saf-T Vent SC also allows it to function as a pipe-in-a-pipe vent. Products of combustion are exhausted out through the inner wall while combustion air is drawn in through the outer wall. An appliance can be direct-vented with only a single penetration through the building structure. **This application must be approved by the Appliance Manufacturer.**

Note regarding sealant: Saf-T Vent SC includes an integral seal and does not require RTV sealant. However, sealant may be necessary when connecting Saf-T Vent SC components directly to certain appliance flue collars and to the gasket-less Saf-T Vent GC vent system.

For applications up to 550°F/288°C, approved sealants include GE RTV 106 and Dow Corning 736.

For applications up to 300°F/149°C, approved sealants include GE RTV 106 and Dow Corning 732.

Seal weather exposed joints of the outer jacket with foil tape or an exterior grade silicone sealant.

Material Thickness:

Inner Vent Diameter	Wall Thickness – Inner Vent	Outer Jacket Diameter	Wall Thickness – Outer Jacket
3"	0.015" (28 ga)	5"	0.018" (26 ga)
4"		7"	

Saf-T Vent[®] SC

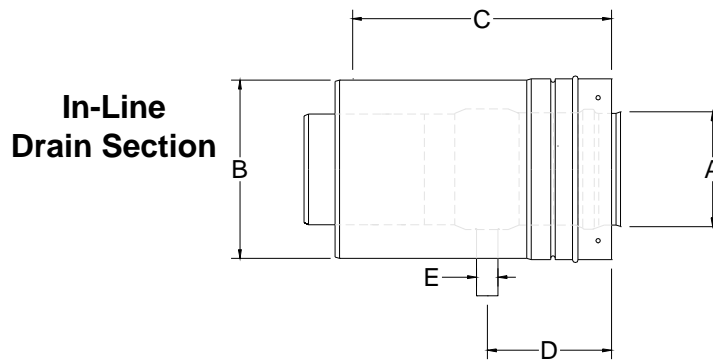
DOUBLE WALL SPECIAL GAS VENT

Accessories:

Vertical/Horizontal In-Line Drain Section — Use to drain away condensate from the vent system.

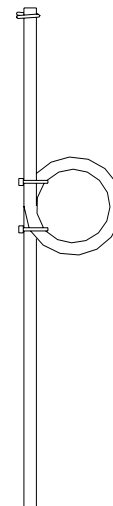
The unique design of this part allows it to be installed in a horizontal, vertical or inclined orientation. Continuous horizontal runs in excess of 30 feet require a condensate drain. Drains may also be required by the manufacturer. High temperature silicone rubber tubing is available separately, see below.

Part Number	DIM - A Nominal Vent Pipe Diameter	DIM - B Nominal Outer Jacket Diameter	DIM - C Installed Length	DIM - D Drain Location	DIM - E Drain Diameter (OD)
SC03DRN	3	5	6.7	3.3	0.5
SC04DRN	4	7	6.7	3.3	0.5



Condensate Drain Tube Kit — This kit contains a length of high temperature silicone rubber tubing, a clamp, and two cable ties. The silicone tubing is rated for 500°F, and is translucent to allow inspection of the P-trap. Larger diameter drains can be plumbed directly into a drain system.

Part Number:	7000TUBE	5 feet of 3/8" diameter tubing
	7000TUBE-10	10 feet of 3/8" diameter tubing
	7001TUBE	10 feet of 1/2" diameter tubing



Heatfab

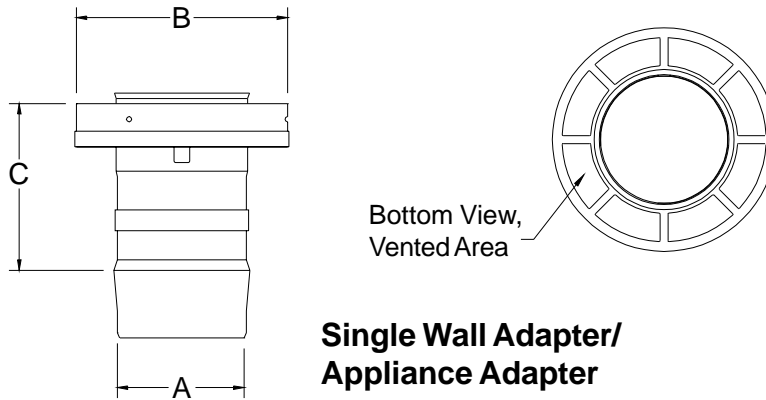
Saf-T Vent® SC

DOUBLE WALL SPECIAL GAS VENT

Adapters:

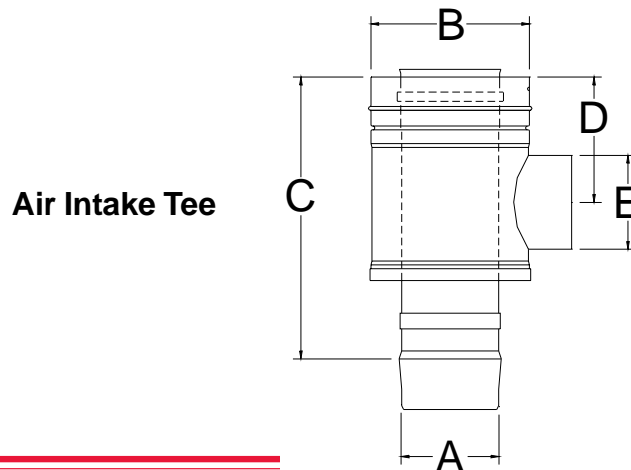
Single Wall Adapter/Appliance Adapter — Use to transition from single-wall to Saf-T Vent SC. The male end connects to Saf-T Vent EZ Seal or Saf-T Vent appliance adapters and flue collars. The outer diameter collar is vented and must not be blocked during installation or operation.

Part Number	DIM - A Nominal Vent Pipe Diameter	DIM - B Nominal Outer Jacket Diameter	DIM - C Installed Length
SC03ADEZ	3	5	4
SC04ADEZ	4	7	4



Air Intake Tee — Use to begin a Sealed Combustion system. The male end connects to Saf-T Vent EZ Seal or Saf-T Vent appliance adapters and flue collars. The tap on the outer wall should be connected to the combustion air inlet on the appliance using materials specified by the appliance manufacturer.

Part Number	DIM - A Nominal Vent Pipe Diameter	DIM - B Nominal Outer Jacket Diameter	DIM - C Installed Length	DIM - D Centerline of Tap to Outlet	DIM - E Air Intake Connection Diameter
SC03TAD3	3	5	9	4.0	3
SC03TAD4	3	5	10	4.6	4
SC04TAD4	4	7	10	4.6	4
SC04TAD3	4	7	9	4.0	3



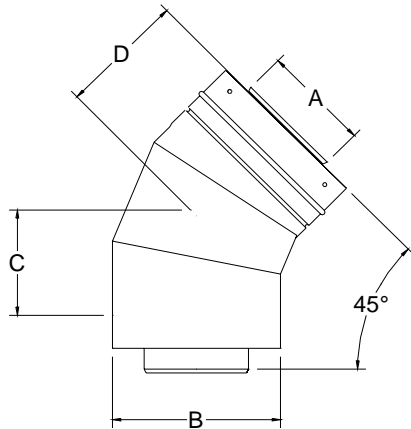
Saf-T Vent[®] SC

DOUBLE WALL SPECIAL GAS VENT

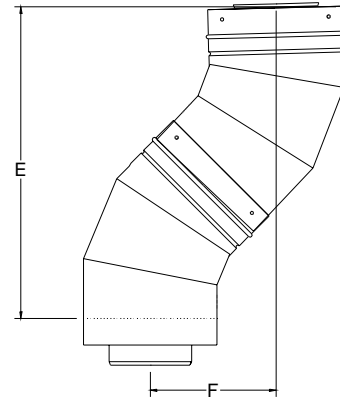
Elbows:

45° Elbow — Use to achieve offsets or changes in the direction of the vent system. The degree of these welded seam elbows is not adjustable.

Part Number	DIM - A Nominal Vent Pipe Diameter	DIM - B Nominal Outer Jacket Diameter	DIM - C Rise	DIM - D Run	DIM - E Combined Installed Height	DIM F Offset
SC03E45	3	5	3.1	3.7	11.60	4.8
SC04E45	4	7	3.3	4.3	13.03	5.3

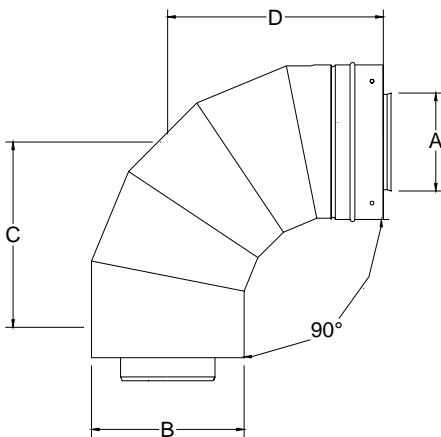


45° Elbow

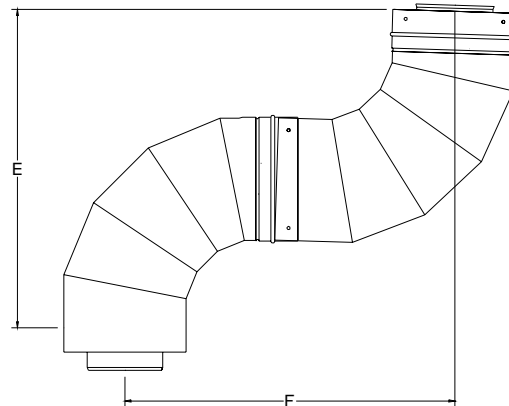


90° Elbow — Use to achieve offsets or changes in the direction of the vent system. The degree of these welded seam elbows is not adjustable.

Part Number	DIM - A Nominal Vent Pipe Diameter	DIM - B Nominal Outer Jacket Diameter	DIM - C Rise	DIM - D Run	DIM - E Combined Installed Height	DIM F Offset
SC03E90	3	5	6.1	7.0	13.1	13.25
SC04E90	4	7	6.8	7.75	14.5	14.50



90° Elbow



Saf-T Vent[®] SC

DOUBLE WALL SPECIAL GAS VENT

Straight Lengths:

Install vent with a continuous pitch of 1/4" per foot, sloping upward toward the termination (unless otherwise specified by the appliance manufacturer). It is important to provide adequate support to a Saf-T Vent SC system. Refer to installation instructions for support specifications.

6" Length

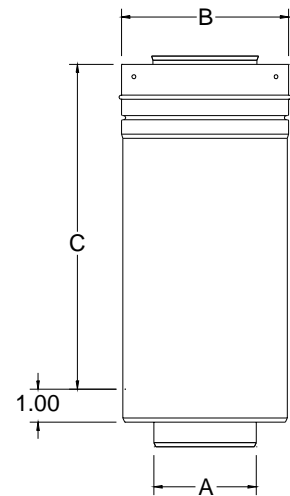
Part Number	DIM - A Nominal Vent Pipe Diameter	DIM - B Nominal Outer Jacket Diameter	DIM - C Installed Length
SC03L6	3	5	3.88
SC04L6	4	7	3.88

1' Length

Part Number	DIM - A Nominal Vent Pipe Diameter	DIM - B Nominal Outer Jacket Diameter	DIM - C Installed Length
SC03L12	3	5	9.88
SC04L12	4	7	9.88

2' Length

Part Number	DIM - A Nominal Vent Pipe Diameter	DIM - B Nominal Outer Jacket Diameter	DIM - C Installed Length
SC03L24	3	5	21.88
SC04L24	4	7	21.88



3' Length

Part Number	DIM - A Nominal Vent Pipe Diameter	DIM - B Nominal Outer Jacket Diameter	DIM - C Installed Length
SC03L36	3	5	35.38
SC04L36	4	7	35.38

Straight Length

Adjustable Length

Part Number	DIM - A Nominal Vent Pipe Diameter	DIM - B Nominal Outer Jacket Diameter	DIM - C Installed Length
SC03AJ	3	5	12.5 - 19.5
SC04AJ	4	7	12.5 - 19.5

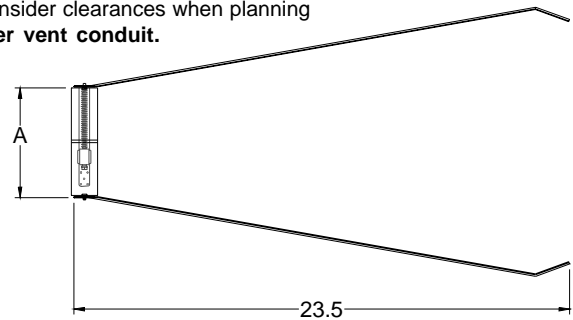
Saf-T Vent[®] SC

DOUBLE WALL SPECIAL GAS VENT

Supports:

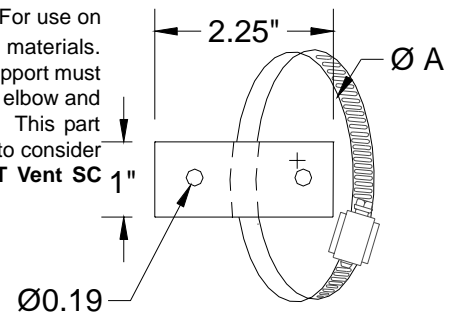
Vertical Support Leg — For use on vertical systems to provide support. The 20-gauge stainless steel support legs can be used below or above the roof, and can be used in pairs for extra stabilization. Hardware to attach the support to the structure is not provided; attach using best construction methods. Be sure to consider clearances when planning the system. **Never drill or screw through the Saf-T Vent SC inner vent conduit.**

Part Number	DIM - A Hose Clamp Diameter
SC03VSL	5.2
SC04VSL	7.2



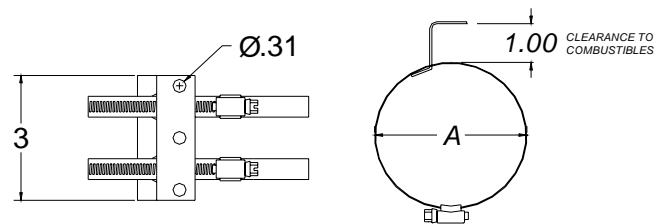
0" Clearance Horizontal / Vertical Support Clamp — For use on horizontal or vertical systems to provide support at zero clearance to combustible materials. When any horizontal run of Saf-T Vent SC extends for more than 6 feet, a horizontal support must be installed. Subsequent supports are required after every additional 6 feet and every elbow and tee. Attach the bracket to the structure using appropriate hardware (not provided). This part consists of a hose clamp and an 18-gauge stainless steel mounting bracket. Be sure to consider proper pitch when planning the system. **Never drill or screw through the Saf-T Vent SC inner vent conduit.**

Part Number	DIM - A Hose Clamp Diameter
SC03SUP	5.5
SC04SUP	7.5



1" Clearance Support Clamp — Provides support to Saf-T Vent SC systems that require 1 inch clearance to combustible materials. When any horizontal run of Saf-T Vent SC extends for more than 6 feet, a horizontal support must be installed. Subsequent supports are required after every additional 6 feet and every elbow and tee. Be sure to consider clearances and proper pitch when planning the system. **Never drill or screw through the Saf-T Vent SC inner vent conduit.**

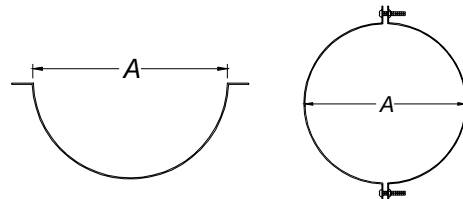
Part Number	DIM - A Hose Clamp Diameter
SC03SUP1	5.5
SC04SUP1	7.5



1" Clearance Support Clamp

Outer Jacket Support Clamp — For use on horizontal systems to provide support at the required 6-foot intervals. May be used singly as a saddle to rest the vent in and hung from two rods or cables. Use in pairs by clamping around the outer jacket and suspend from a single rod or cable. Support clamps by themselves do not maintain the necessary clearances to combustible materials; be sure to consider clearances and proper pitch when planning the system. Support clamps are sold in pairs, with two half-shells and two ¼-20 nuts and bolts. **Never drill or screw through the Saf-T Vent SC inner vent conduit.**

Nominal Vent Diameter	Part Number	DIM - A Nominal Diameter
3	4527SS	5
4	4727SS	7



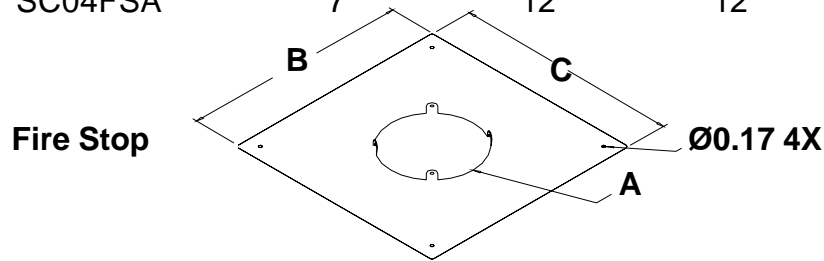
Saf-T Vent[®] SC

DOUBLE WALL SPECIAL GAS VENT

Termination Accessories:

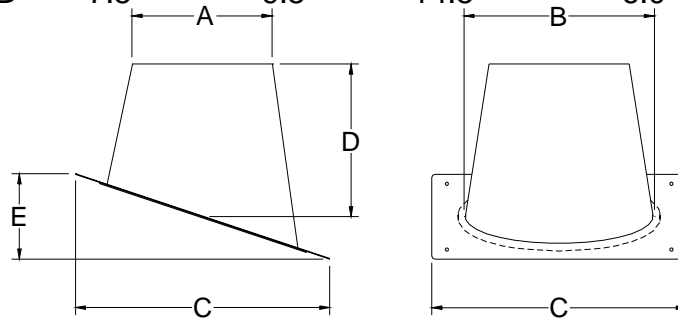
Fire Stop / Support / Wall Plate— A fire stop may be required anytime Saf-T Vent SC penetrates combustible floors, walls, or ceilings. Remove any insulating material from the floor, wall, or ceiling cavity for at least 1 inch around the vent. Review fire codes and consult with local building code officials to determine the necessity for a firestop. This part provides added support when used at the bottom of a vertical chase. Hardware is supplied to attach the firestop to the vent. Mounting hardware is not provided.

Part Number	DIM - A Hole Diameter	DIM - B Length	DIM - C Width
SC03FS	5	8	8
SC03FSA	5	12	12
SC04FS	7	10	10
SC04FSA	7	12	12



Tall Cone Flashing / Support— Use as a vertical roof penetration and support for flat roof installations. This part **must** be installed with a 5 inch diameter storm collar (ordered separately). Hardware is not included with the tall cone flashing; attach to structure using best construction methods. The tall cone flashing may be used with a roof curb if necessary.

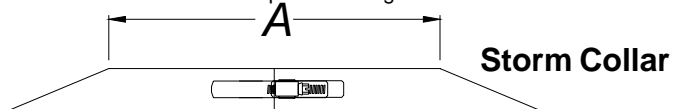
Part Number	DIM - A Top of Cone Opening	DIM - B Bottom of Cone Opening	DIM - C Face Plate (Square)	DIM - D Overall Height	DIM - E Pitch Range
SC03TCF	5.5	7.5	12.5	6.0	FLAT- 2/12
SC03TCFA	5.5	7.5	12.5	6.0	2/12 - 6/12
SC03TCFB	5.5	7.5	12.5	6.0	6/12 -12/12
SC04TCF	7.5	9.5	14.5	6.0	FLAT - 2/12
SC04TCFA	7.5	9.5	14.5	6.0	2/12 - 6/12
SC04TCFB	7.5	9.5	14.5	6.0	6/12 - 12/12



Tall Cone Flashing

Storm Collar —For use with the Tall Cone Flashing (sold separately) or other roof flashings to provide support to vertical installations. The storm collar may be tightened and sealed around the vent to prevent water from entering the building. It may also be used as a decorative shield to cover holes where the vent penetrates interior concrete and masonry walls. This part is made from Type 304 stainless steel and should not be installed in the direct path of flue gases.

Nominal Vent Diameter	Part Number Nominal Diameter	DIM - A
3	4526SS	5
4	4726SS	7



Storm Collar

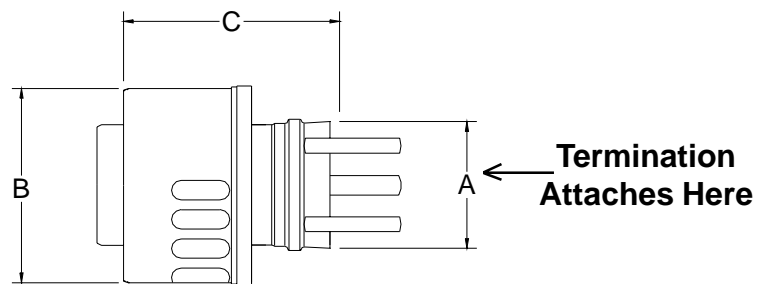
Saf-T Vent[®] SC

DOUBLE WALL SPECIAL GAS VENT

Terminations:

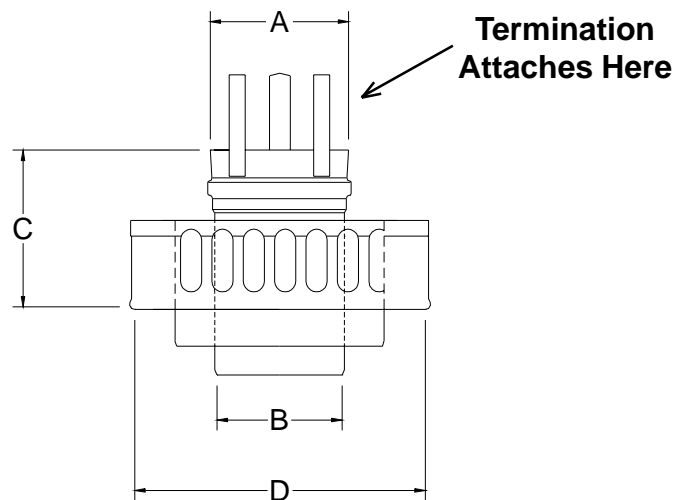
Horizontal Termination Adapter— Use to complete the Saf-T Vent SC system after penetrating an exterior wall. Standard Saf-T Vent terminations connect directly to the adapter. The screened openings release excess heat from the system and must not be blocked. On Sealed Combustion systems the screened openings supply combustion air to the appliance.

Part Number	DIM - A Nominal Vent Pipe Diameter	DIM - B Nominal Outer Jacket Diameter	DIM-C Installed Length
SC03HT	3	5	5.3
SC04HT	4	7	5.6



Vertical Termination Adapter — Use to complete the Saf-T Vent SC system on vertical installations. Standard Saf-T Vent terminations connect directly to the adapter. The screened openings release excess heat from the system and must not be blocked. On Sealed Combustion systems the screened openings supply combustion air to the appliance.

Part Number	DIM - A Nominal Vent Pipe Diameter	DIM - B Nominal Outer Jacket Diameter	DIM - C Installed Length	DIM - D Diameter Protective Band
SC03VT	3	5	3.8	7.1
SC04VT	4	7	3.8	9.1



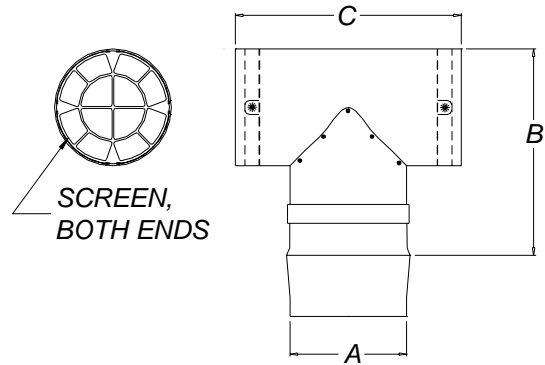
Saf-T Vent® SC

DOUBLE WALL SPECIAL GAS VENT

Terminations:

Tee Termination with Screen — Use as a termination on horizontal or vertical systems, as specified or allowed by the appliance manufacturer.

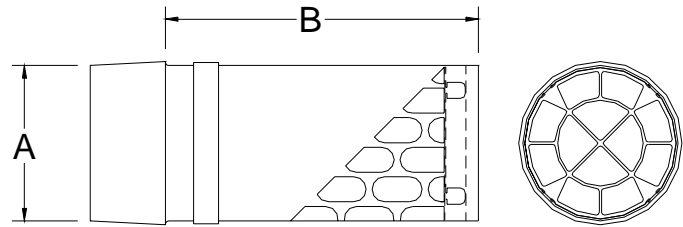
Part Number	DIM - A Nominal Diameter	DIM - B Installed Length	DIM - C Tee Body Width
9390TEE	3	5.5	6
9490TEE	4	6.0	7



Tee Termination with Screen

Mitered Termination with Screen — Use as a termination on horizontal or vertical systems, as specified or allowed by the appliance manufacturer.

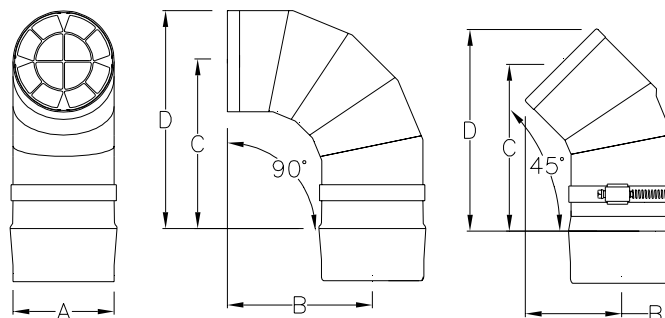
Part Number	DIM - A Nominal Diameter	DIM - B Installed Length
9390	3	6.25
9490	4	7.25



Mitered Termination with Screen

Elbow Termination with Screen — Use as a termination on horizontal or vertical systems, as specified or allowed by the appliance manufacturer.

Part Number	DIM - A Nominal Diameter	DIM - B Center to Edge	DIM - C Centerline Installed Length	DIM - D Overall Installed Length
9314TERM (90°)	3	4.5	5.3	6.8
9414TERM (90°)	4	5.3	6.0	8.0
9311TERM (45°)	3	2.9	5.0	6.2
9411TERM (45°)	4	3.4	5.4	6.8



Elbow Termination with Screen

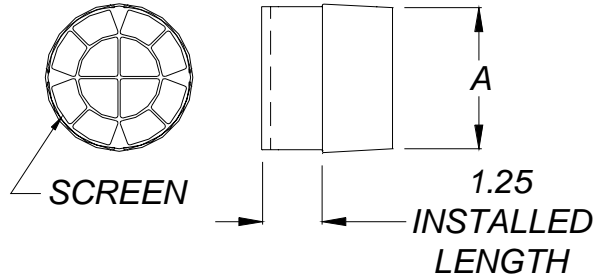
Saf-T Vent® SC

DOUBLE WALL SPECIAL GAS VENT

Terminations:

Screen Termination — Use as a termination on horizontal or vertical systems, as specified or allowed by the appliance manufacturer.

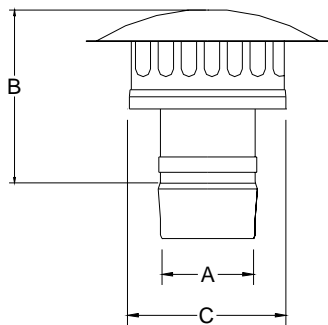
Part Number	DIM - A Nominal Diameter
9392	3
9492	4



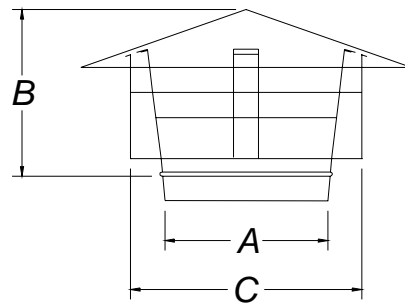
Screen Termination

Rain Cap — Use as a termination on vertical systems. Category I and II appliances require a raincap or other device to prevent rainwater from entering the vent. Vent systems for positive pressure appliances may omit the raincap if there are other provisions for draining rainwater from the system. The raincap may also be used as a horizontal termination.

Part Number	DIM - A Nominal Diameter	DIM - B Cap Height	DIM - C Outer Band	APPLICATION
5300CI	3	8.5	8	All Categories
5400CI	4	8.5	9	All Categories
SC03RC	3	5.5	5	Category III & IV Only , if system has drain.
SC04RC	4	6.3	7	Category III & IV Only , if system has drain.



SC__RC



5_00CI

Rain Cap

Technical and Dimensional Data

Saf-T Vent[®]

Appliance Adapters

AL 29-4C[®] Stainless Steel Special Gas Vent

Heatfab Saf-T Vent Adapters are compatible with all Saf-T Vent Brands

Appliance Listing by Make and Model starts on page 23



130 Industrial Boulevard
Turners Falls, MA 01376

Call (800) 772-0739
Fax (413) 863-4803

www.heat-fab.com

© Copyright 2008 Heatfab Division, Selkirk Corp.
Saf-T Vent is a registered trademark of Selkirk Corp.
AL29-4C is a registered trademark of ATI Properties, Inc.

Pub.#11701-111208

Saf-T Vent® Appliance Adapters

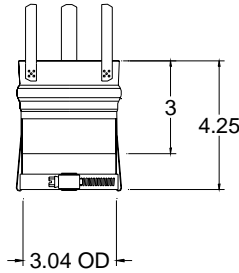
<u>ADAPTER</u>	<u>PAGE</u>
3" ADAPTERS	3
4" ADAPTERS	7
OVER THE COLLAR ADAPTERS	10
INTO THE FLUE COLLAR ADAPTERS	10
UNIVERSAL BOILER ADAPTERS	11
FLANGE TYPE ADAPTERS	12
AERCO ADAPTERS	13
BUDERUS ADAPTERS	15
DeDIETRICH	17
FULTON MUFFLER ADAPTERS	17
HYDROTHERM ADAPTERS	17
LAARS ADAPTERS	16
LOCHINVAR ADAPTERS	16
NORITZ ADAPTERS	18
P-K MACH ADAPTERS	18
RAYPAK ADAPTERS	20
RINNAI ADAPTERS	21
APPLIANCES, LISTED BY MAKE AND MODEL W/APPROPRIATE ADAPTER	23

Heatfab, Selkirk Corp

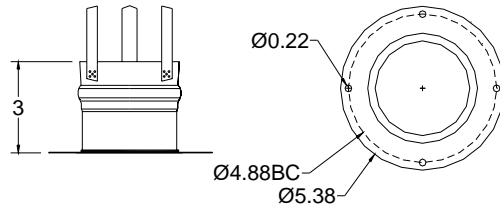
130 Industrial Boulevard • Turners Falls, MA 01376
800 772 0739 • Fax 413 863 4803 • www.heat-fab.com

Saf-T Vent[®] Appliance Adapters

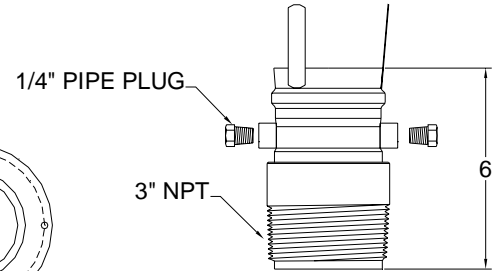
3" Adapters —Adapters for appliances with 3" flue collars.



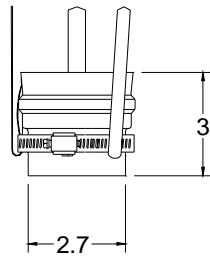
9301AMTK



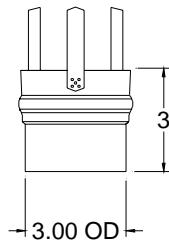
9301CRWN



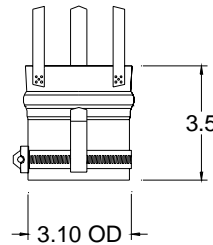
9301FUL



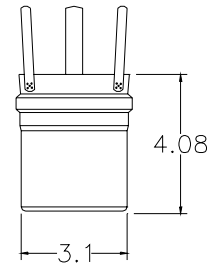
9301ICP



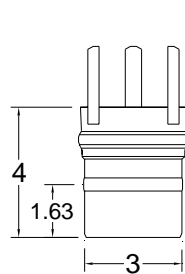
9301THI



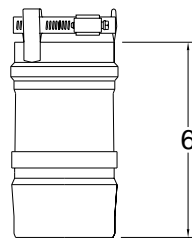
9301UTI



9301VSMN



**Burnham
(Gasketed) to
Saf-T Vent EZ**

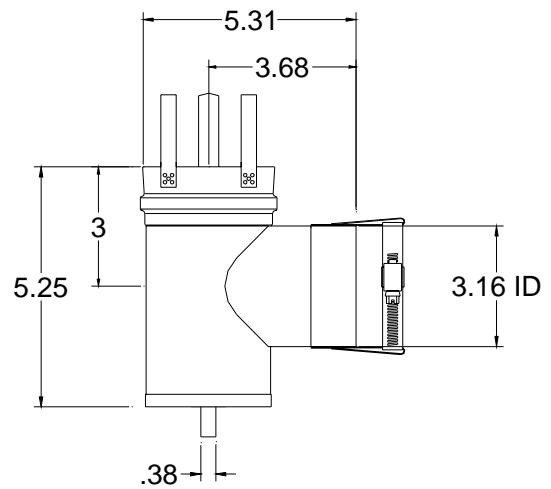
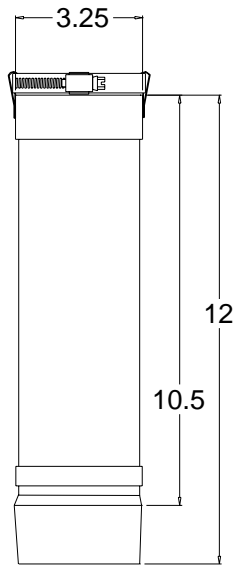
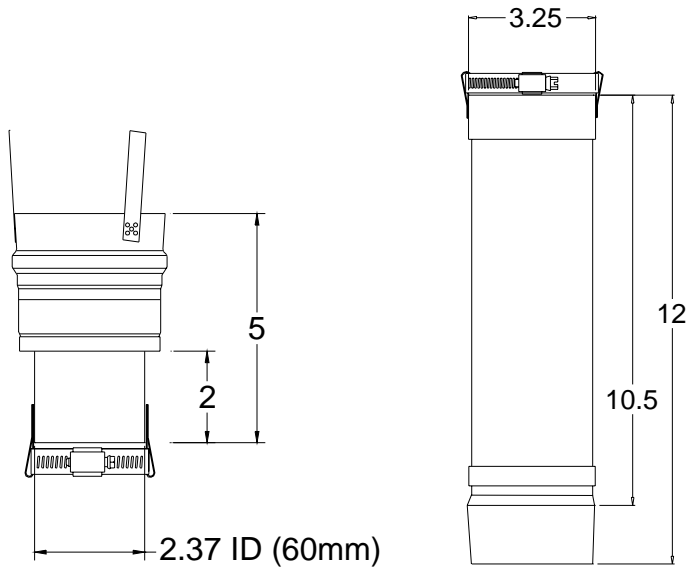
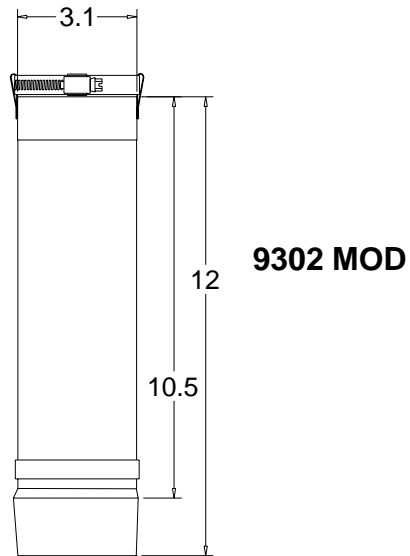
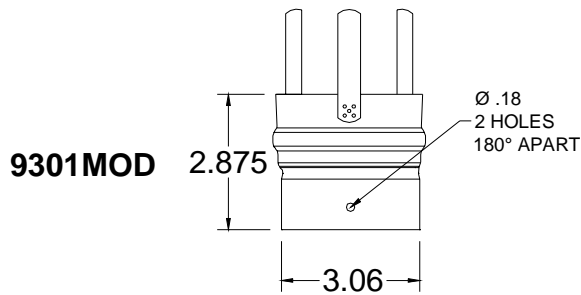


**Saf-T Vent EZ to
Burnham
(Gasketed)**

9353BUREZ

Saf-T Vent® Appliance Adapters

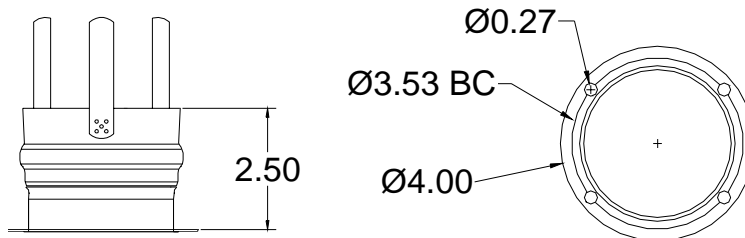
3" Adapters —Adapters for appliances with 3" flue collars.



9301PAL

9302PL

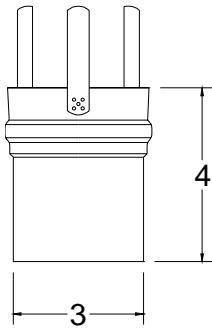
93PLSTEE



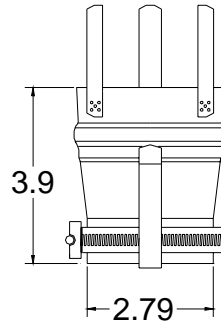
9301VAIL

Saf-T Vent[®] Appliance Adapters

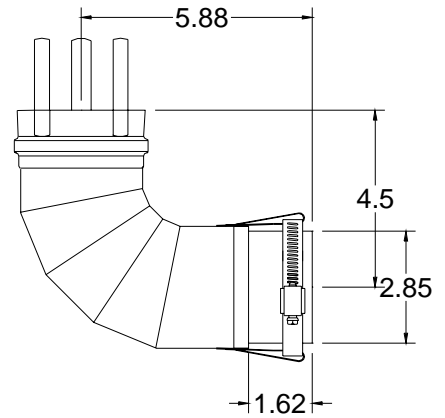
3" Adapters — Adapter for appliances with 3" flue collars.



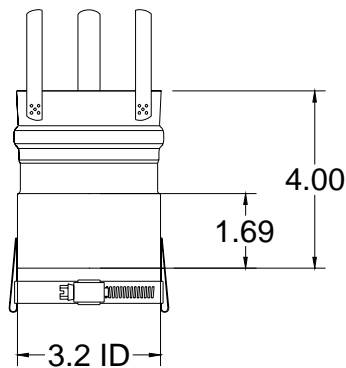
9301BSH



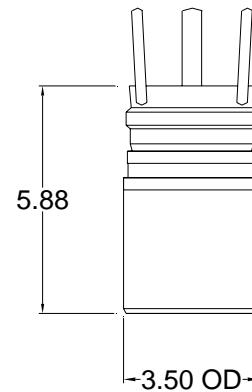
9301CPVC



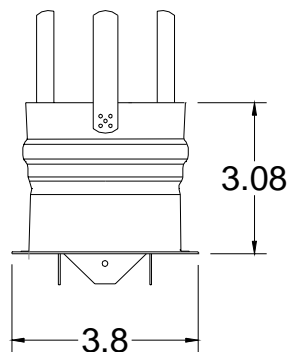
9314SMI



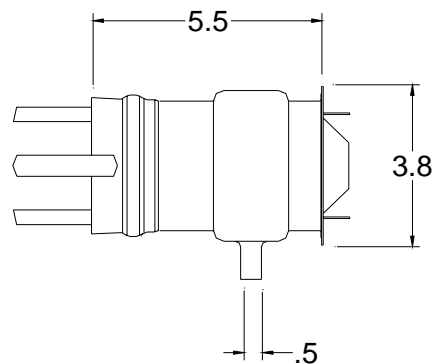
9301DEL



9301PVC



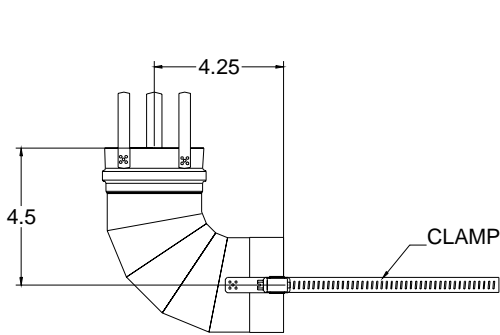
9SF440696



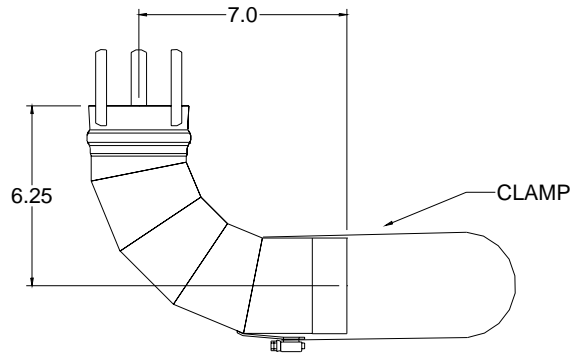
9SF440697

Saf-T Vent[®] Appliance Adapters

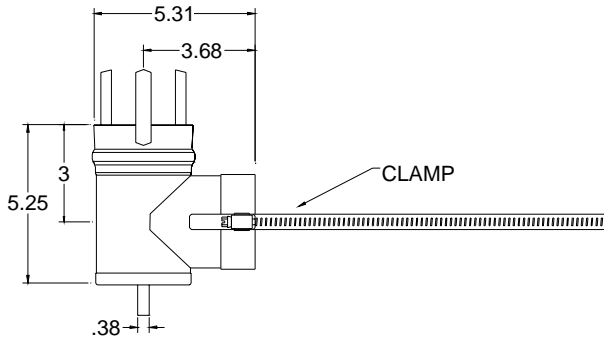
3" Weil-McLain Adapters — Adapters for Weil-McLain appliances.



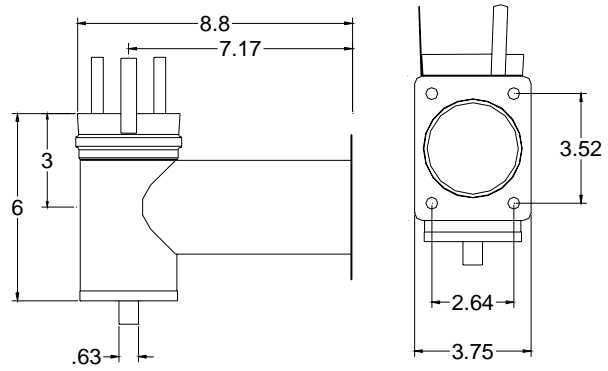
93WMSTLH



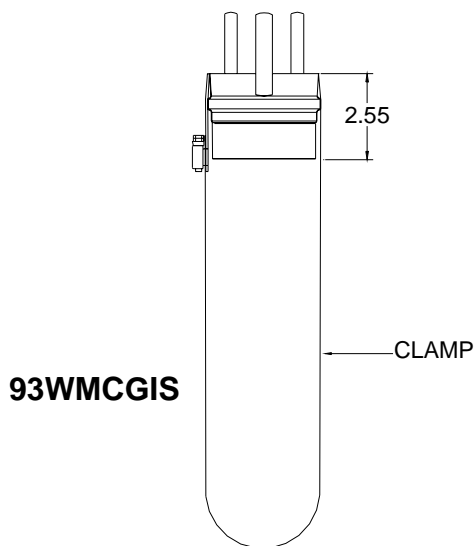
93WMSTLV



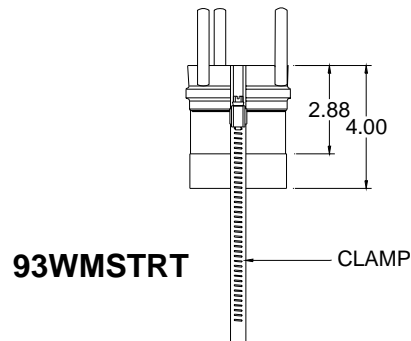
93WMSTEE



93WMSTXL



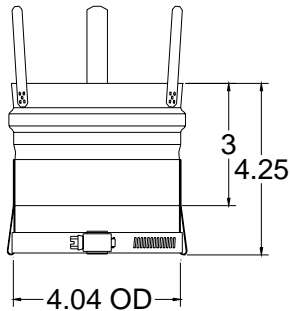
93WMCGIS



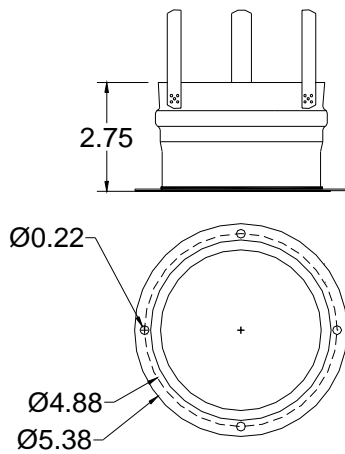
93WMSTRT

Saf-T Vent[®] Appliance Adapters

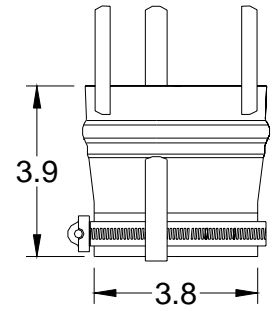
4" Adapters —Adapters for appliances with 4" flue collars.



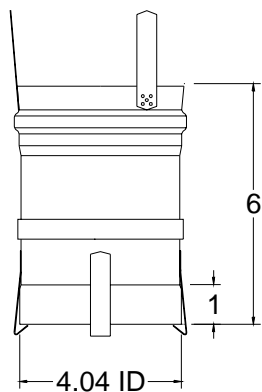
9401AMTK



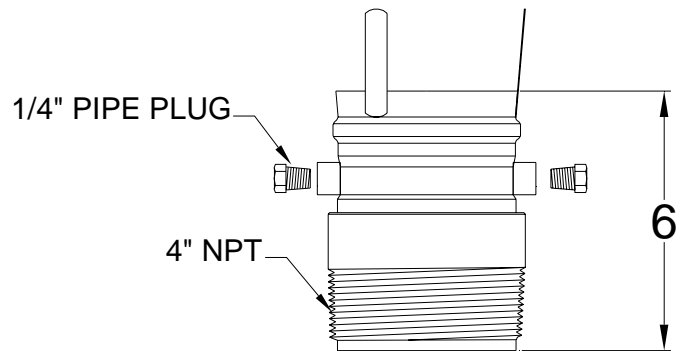
9401CRWN



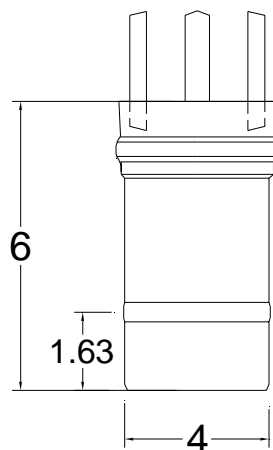
9401CPVC



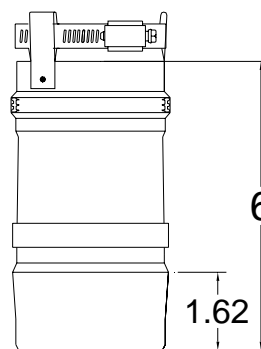
9401DUN



9401FUL



**Burnham
(Gasketed) to
Saf-T Vent EZ**

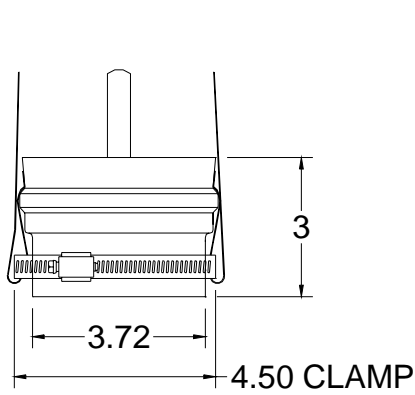


**Saf-T Vent EZ to
Burnham
(Gasketed)**

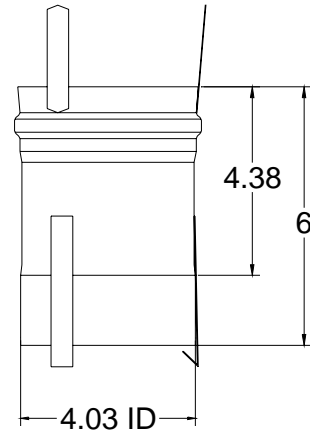
9454BUREZ

Saf-T Vent[®] Appliance Adapters

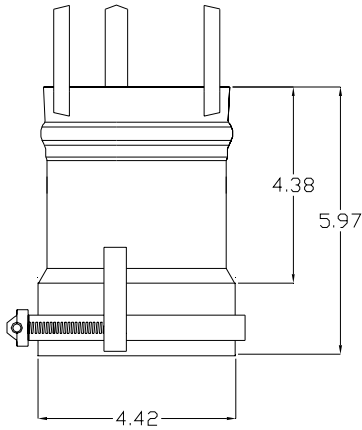
4" Adapters —Adapters for appliances with 4" flue collars.



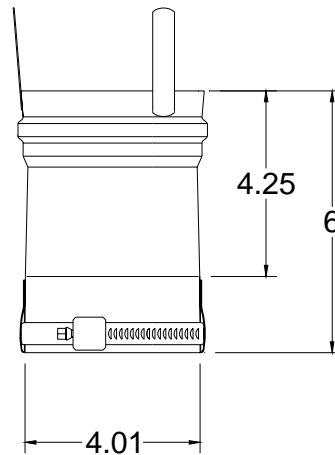
9401ICP



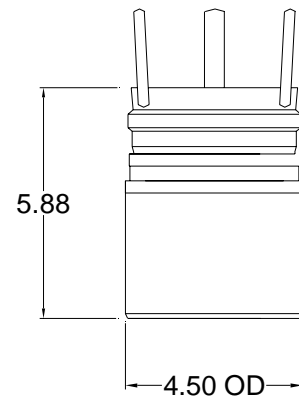
9401MES



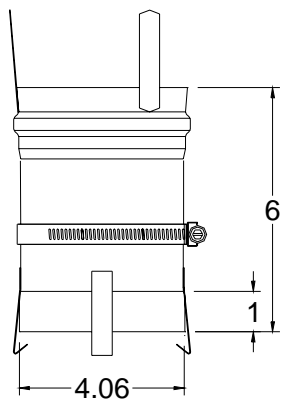
9401MGTV



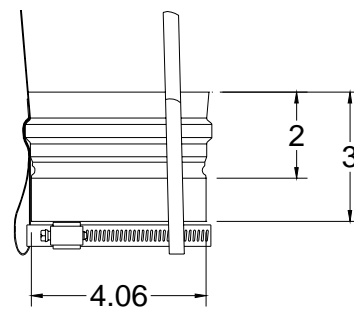
9401JVI



9401PVC



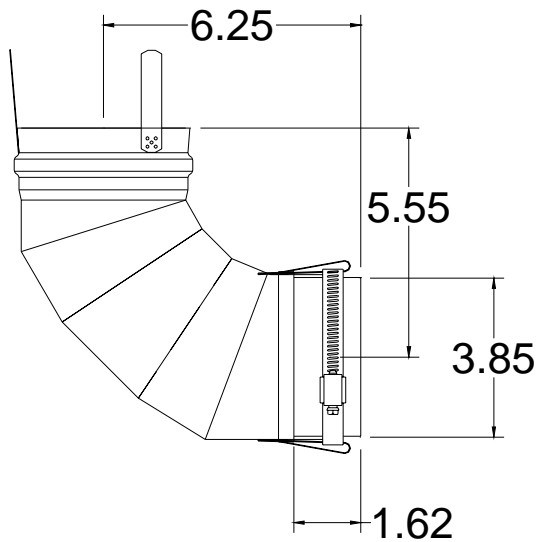
9401PVI



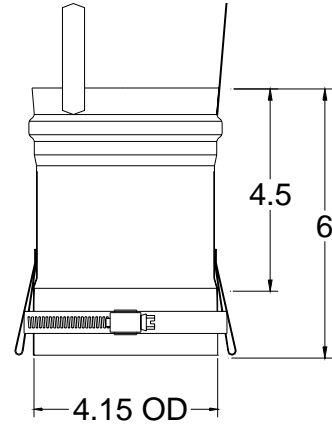
9401RHM

Saf-T Vent[®] Appliance Adapters

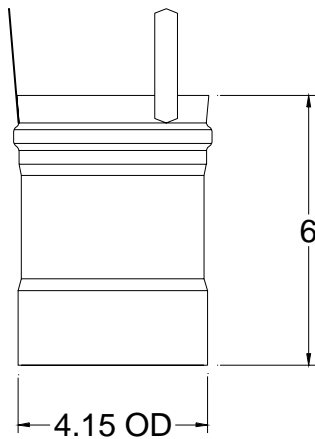
4" Adapters —Adapters for appliances with 4" flue collars.



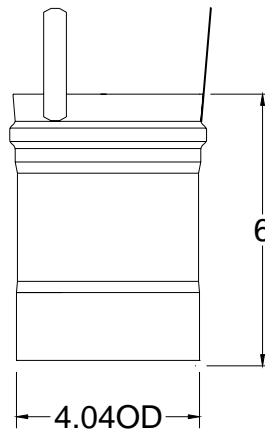
9414SMI



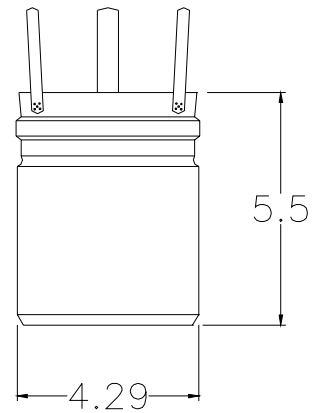
9401UTI



9401SRI



9401VAIL

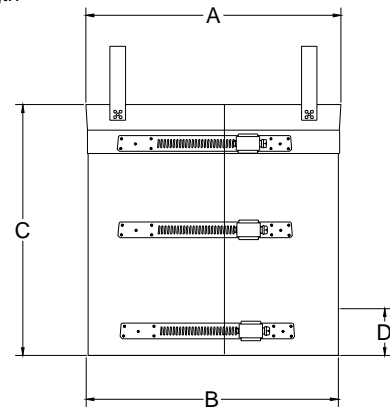


9401VSMN

Saf-T Vent® Appliance Adapters

Over-the-Flue-Collar Appliance Adapter — A generic flue collar adapter used on appliances with vent outlets that are slightly out-of-round or of irregular diameters. The split-seam design allows the adapter to clamp around irregular or inconsistent flue collars while still providing a secure connection to Saf-T Vent systems.

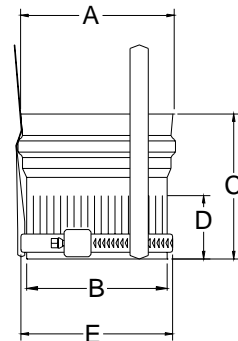
Part Number	DIM - A Nominal Diameter	DIM - B Minimum Flue Collar Diameter	DIM - C Installed Length	DIM - D Minimum Recommended Interface Length
5301BOI	3	2.85	8	1.5
5401BOI	4	3.75	8	1.5
5501BOI	5	4.75	8	1.5
5601BOI	6	5.75	8	1.5
5701BOI	7	6.75	8	1.5
5801BOI	8	7.75	8	1.5
5901BOI	9	8.75	8	1.5
51001BOI	10	9.75	8	1.5
51201BOI	12	11.75	8	1.5
51401BOI	14	13.75	8	1.5
51601BOI	16	15.75	8	1.5



Over-the-Flue-Collar Appliance Adapter

Into-the-Flue-Collar Appliance Adapter — A generic flue collar adapter used on appliances with vent outlets with a nominal inside diameter. The crimped portion of this adapter is inserted into the flue collar while the hose clamp is tightened around the outside to create a mechanical joint.

Part Number	DIM - A Nominal Diameter	DIM - B Male End Crimp O.D.	DIM - C Overall Length	DIM - D Crimp Length	DIM - E Maximum Clamp Diameter
9363	3	2.9	4	0.75	3.5
9464	4	3.9	4	1.75	4.5
9565	5	4.9	4	1.75	5.5
9666	6	5.9	4	1.75	6.5
9767	7	6.9	4	1.75	7.5
9868	8	7.9	4	1.75	8.5
910610	10	9.9	4	1.75	10.5

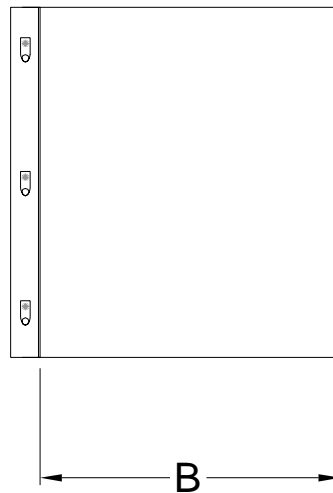
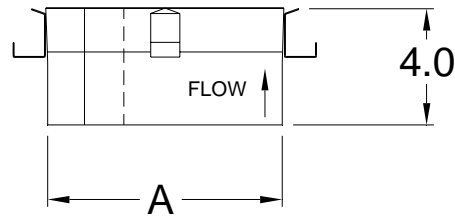


Into-the-Flue-Collar Appliance Adapter

Saf-T Vent[®] Appliance Adapters

Universal Boiler Adapter— Used horizontally or vertically to adapt Saf-T Vent CI Plus to nominal diameter flue collars, it can also adapt to boiler collars that are slightly out of round. The adapter comes with a joint locking strap, boiler collar clamp and a 8" coupler band.

Part Number	DIM - A Nominal Inner Diameter	DIM - B Nominal Diameter Outer Jacket
CCA05ADUV	5	7.3
CCA06ADUV	6	8.3
CCA07ADUV	7	9.3
CCA08ADUV	8	10.3
CCA09ADUV	9	11.3
CCA10ADUV	10	12.3
CCA12ADUV	12	14.3
CCA14ADUV	14	16.3
CCA16ADUV	16	18.3
CCA18ADUV	18	20.3
CCA20ADUV	20	22.3
CCA22ADUV	22	24.3
CCA24ADUV	24	26.3
CCA26ADUV	26	28.3
CCA28ADUV	28	30.3
CCA30ADUV	30	32.3
CCA32ADUV	32	34.3

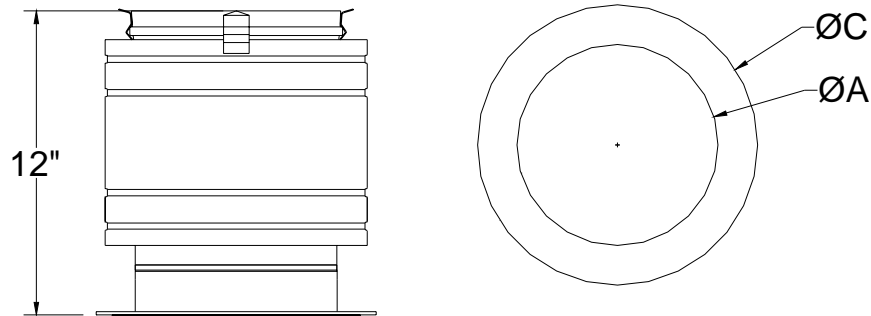


Saf-T Vent[®] Appliance Adapters

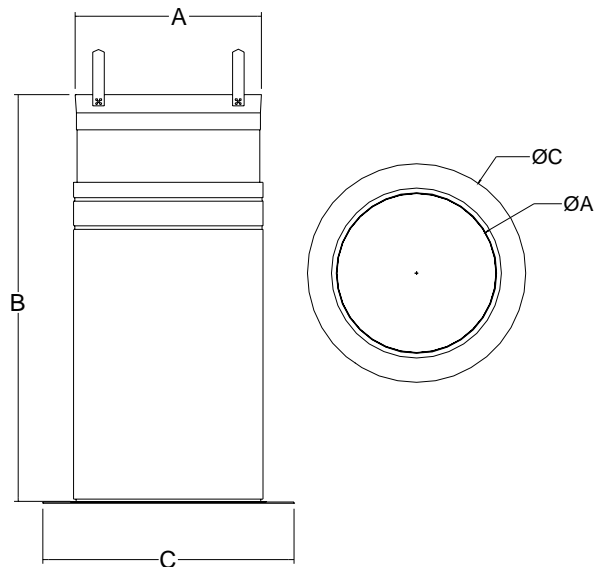
Flange-Type Appliance Adapter — A generic adapter used on appliances with a vent outlet that includes a bolted-on flange connection. Bolt holes and hardware are provided by the installer. Custom bolt hole patterns can be provided for an additional charge. Each Saf-T Vent CI Plus appliance adapter comes standard with a 8" long and a 5" long Saf-T Vent CI Coupler, the Saf-T Vent CI appliance adapter comes standard with a 12" long Saf-T Vent CI Coupler.

Part Number	DIM - A Nominal Diameter	DIM - B Installed Length	DIM - C Flange Diameter
CCA05ADFL	5	12	8
CCA06ADFL	6	12	9
CCA07ADFL	7	12	10
CCA08ADFL	8	12	11
CCA09ADFL	9	12	12
CCA10ADFL	10	12	13
CCA12ADFL	12	12	15
CCA14ADFL	14	12	17
CCA16ADFL	16	12	19

Note: Bolt Holes are to be field installed.



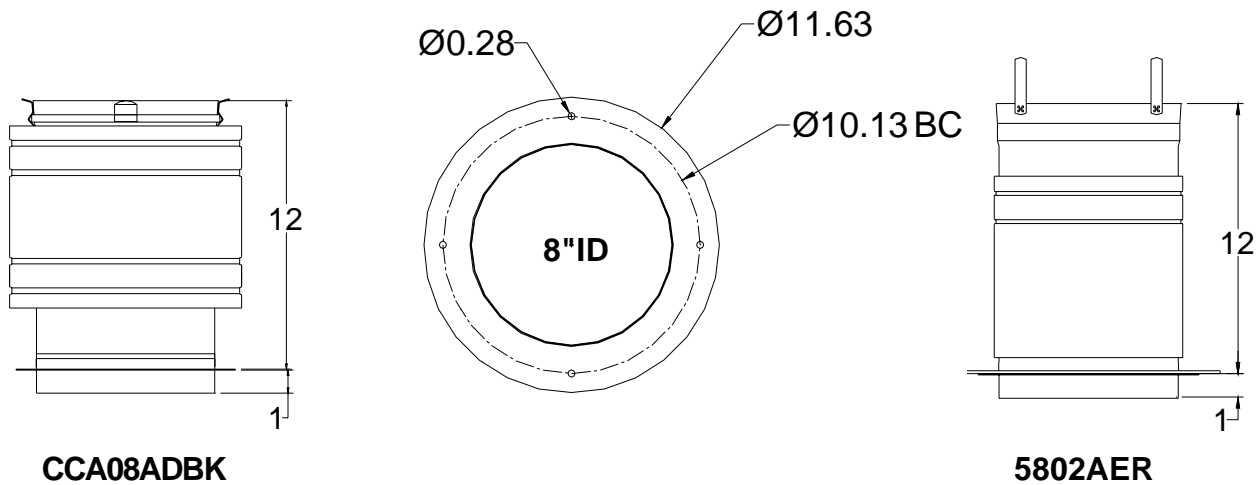
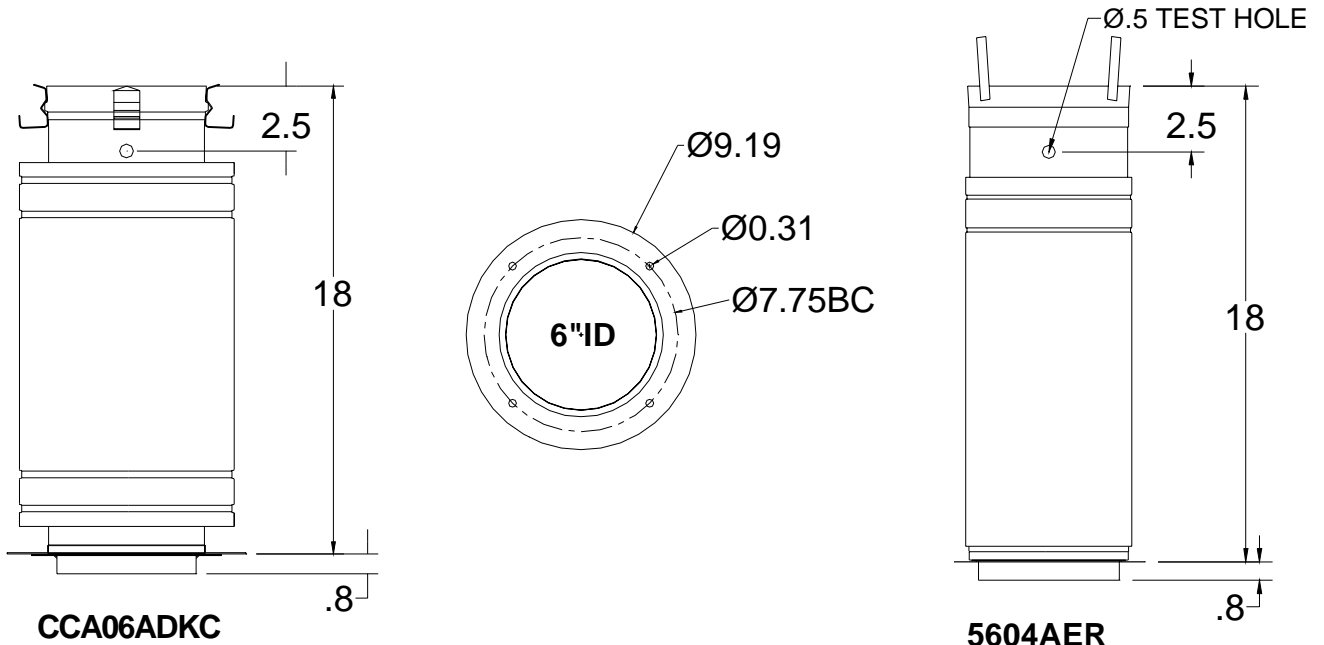
Part Number	DIM - A Nominal Diameter	DIM - B Installed Length	DIM - C Flange Diameter
5804BOI	8	18	11
5904BOI	9	18	12
51004BOI	10	18	13
51204BOI	12	18	15
51404BOI	14	18	17
51604BOI	16	18	19



Saf-T Vent[®] Appliance Adapters

Aerco Adapter — Adapters for Aerco appliances.

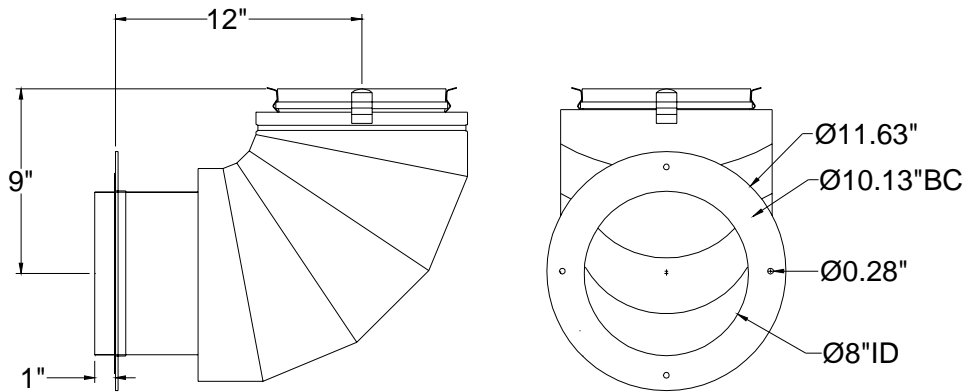
Part Number	Nominal Diameter	Installed Length	Flange Diameter	Bolt Centers
5604AER	6	18	9.19	7.75
5802AER	8	12	11.63	10.13
CCA06ADKC	6	18	9.19	7.75
CCA08ADBK	8	12	11.63	10.13



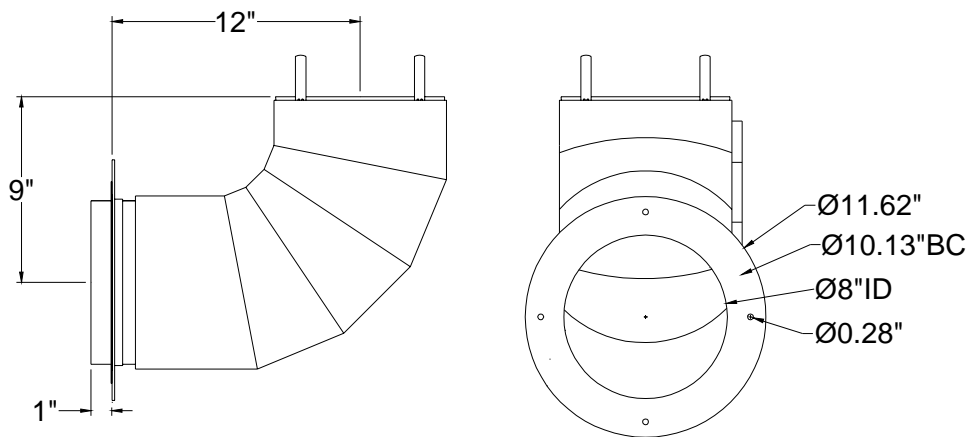
Saf-T Vent[®] Appliance Adapters

Aerco Elbow Adapter —90° elbow adapters for Aerco appliances. Note: To avoid water system supply and return piping, this fitting must be rotated from the vertical position.

Part Number	Nominal Diameter	Installed Length	Flange Diameter	Bolt Centers
5814AER	8	12	11.63	10.13
CCA08ADBK90	8	12	11.63	10.13



CCA08ADBK90

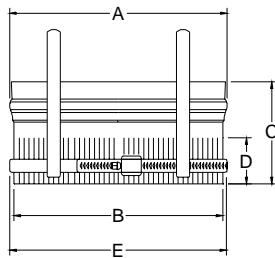


5814AER

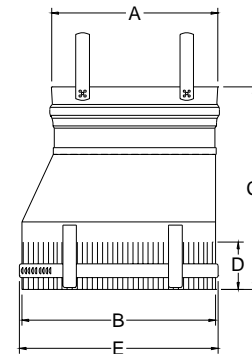
Saf-T Vent[®] Appliance Adapters

Buderus Appliance Adapter — This adapter is specially designed to connect directly into the vent outlet of Buderus SB Series boilers. The hose clamp is tightened around the outside of the flue collar to create a mechanical joint.

Part Number	DIM - A Nominal Diameter	DIM - B Male End Crimp O.D.	DIM - C Overall Length	DIM - D Crimp Length	DIM - E Maximum Clamp Diameter
9601SB*	6	7.18	7.5	1.75	7.5
9801SB	8	7.9	4.0	1.75	8.5
91001SB	10	9.9	4.0	1.75	10.5
91201SB	12	11.9	4.0	1.75	12.5
91401SB	14	13.9	4.0	1.75	14.5

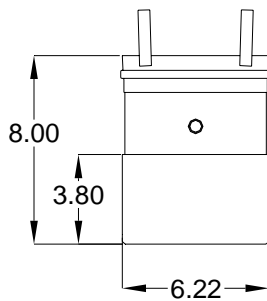


Buderus SB Boiler Adapter

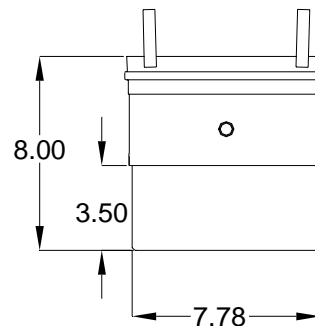


***9601SB**

This adapter is specially designed to connect directly into the vent outlet of Buderus GB Series, 9_01GB has Saf-T Vent EZ seal ends, the 9_GBCPVC is for connecting to CPVC venting. Note: Consult local building code when venting with CPVC.

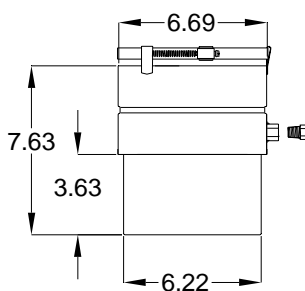


9601GB

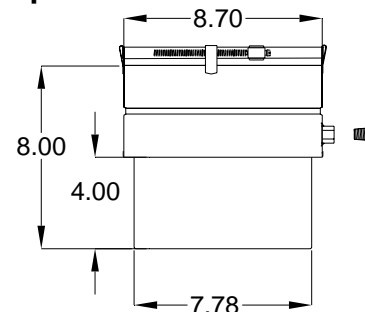


9801GB

Buderus GB Boiler Adapters



96GBCPVC

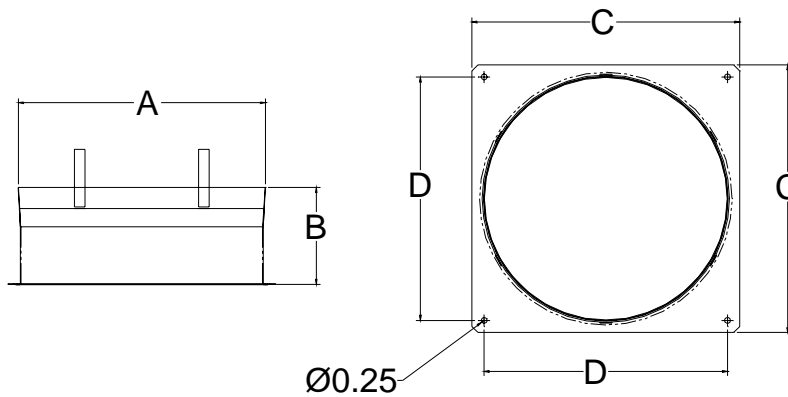


98GBCPVC

Saf-T Vent[®] Appliance Adapters

Laars MightyMax Adapter — This adapter is specially designed to connect directly to the vent outlet of a Laars MightyMax Boiler. This part is supplied by Laars Heating Systems with MightyMax Boilers that require AL 29-4C[®] venting.

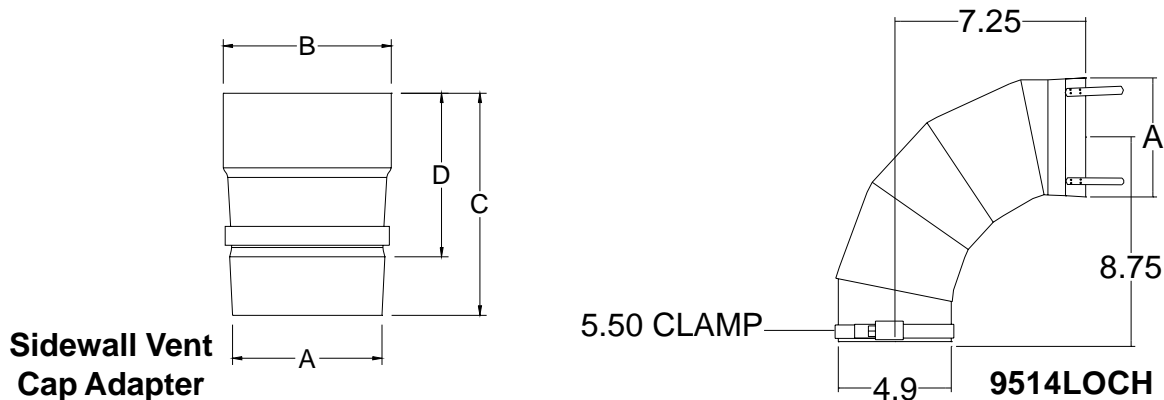
Part Number	DIM - A Nominal Diameter	DIM - B Installed Length	DIM - C Plate Size	DIM - D Bolt Centers
9601LARS	6	4	7	6
9701LARS	7	4	8	7
9801LARS	8	4	9	8
9901LARS	9	4	10	9
91001LARS	10	4	11	10



Laars Adapter

Lochinvar Adapter —Adapters for Lochinvar appliances.

Part Number	DIM - A Nominal Diameter	DIM - B Diameter	DIM - C Overall Length	DIM - D Installed Length	Use
9454LOCH	4	4.5	6	4.38	Sidewall Vent Cap Adapter
9555LOCH	5	5.5	6	4.38	Sidewall Vent Cap Adapter
9514LOCH	5				Appliance Adapter

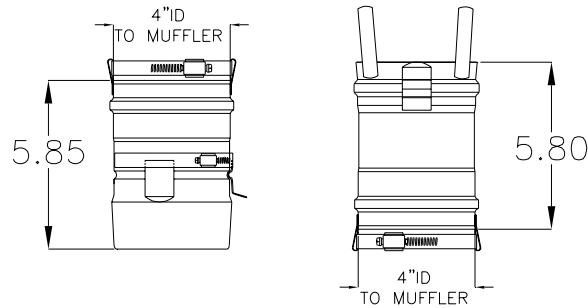


**Sidewall Vent
Cap Adapter**

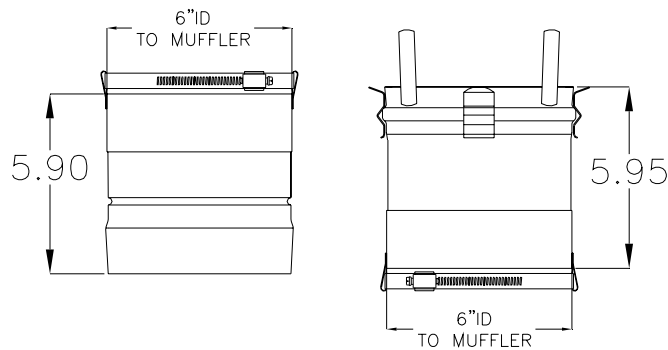
9514LOCH

Saf-T Vent[®] Appliance Adapters

Fulton Muffler Adapters — These adapters make the connection between Saf-T Vent products and Fulton Exhaust Mufflers. The 9401FMA is to connect to the 4" muffler and the 9601FMA is for the 6" muffler, both are made to connect to either single wall EZ Seal or double wall CI Plus.

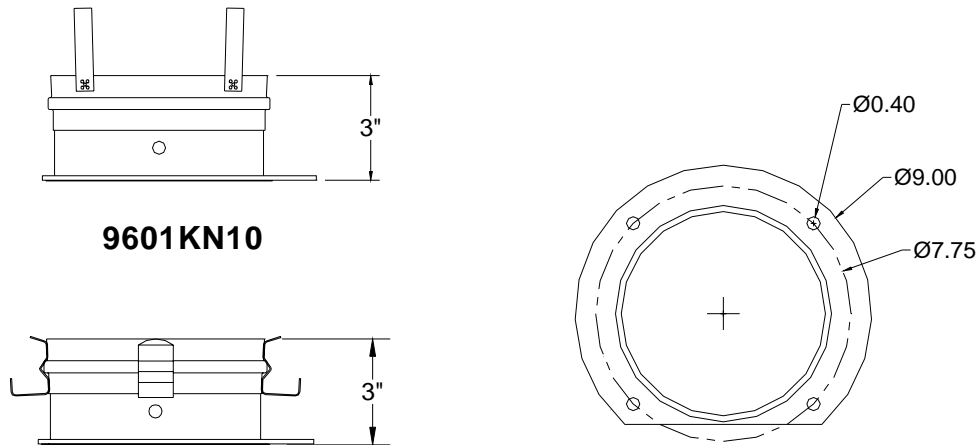


9401FMA



9601FMA

Hydrotherm Adapter — This adapter is specially designed to connect directly to the vent outlet of the Hydrotherm KN-10, the 9601K10 comes installed on the appliance.

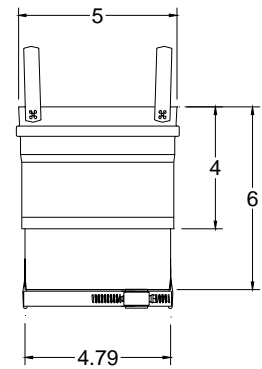


9601KN10

CCA06ADKN

Saf-T Vent[®] Appliance Adapters

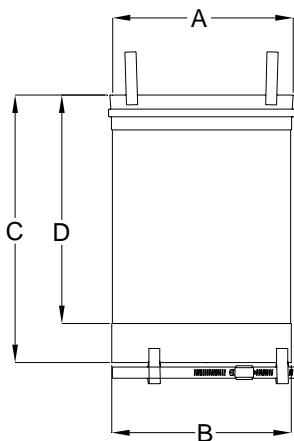
Noritz Adapter — This adapter makes the connection between Saf-T Vent products and Noritz water heaters that require 5" diameter vent.



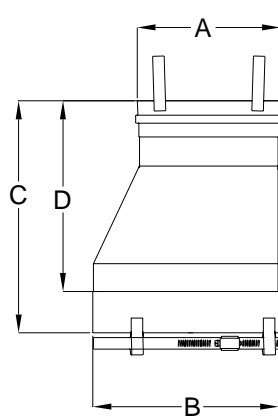
9501NOR

Patterson-Kelley Modu-Fire Adapter — These adapters are specially designed to connect directly to the vent outlet of Patterson Kelley Modu-Fire Boilers, MFD Series (Forced Draft). Consult Patterson-Kelley installation instructions on the use of reducing adapters.

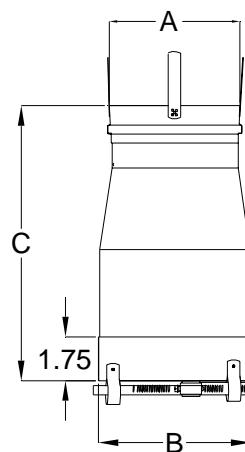
Part Number	DIM - A Nominal Diameter	DIM - B Diameter	DIM - C Overall Length	DIM - D Installed Length
9801PK08	8	8.06	12	10.25
9801PK06	6	8.06	10	8.25
965PKMODU	5	6.1	11	9.25
964PKMODU	4	6.1	11	9.25
9801PK06UV	6.08	8.06	10	8.25



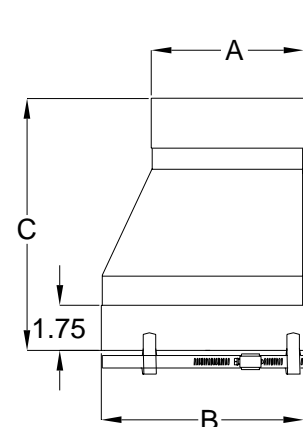
9801PK08



9801PK06



96_PKMODU



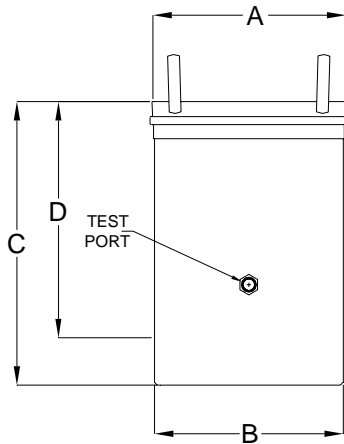
9801PK06UV

Saf-T Vent[®] Appliance Adapters

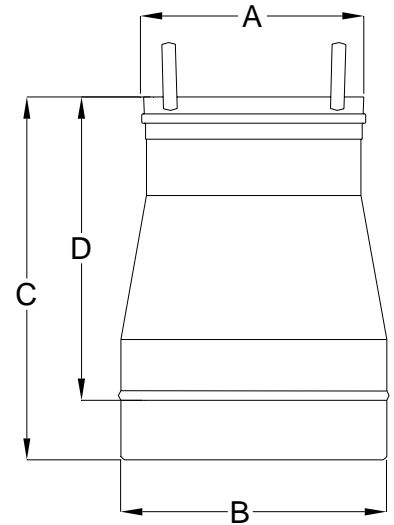
P-K Mach Adapter — These adapters are specially designed to connect directly to the vent outlet of P-K Mach Boilers

Note: Not all adapters are equipped with a test port.

Part Number	DIM - A Nominal Diameter	DIM - B Overall Diameter	DIM - C Installed Length	DIM - D Length
9401MACH	4	3.93	11	9
9501MACH	5	5.14	7	5
9601MACH	6	FACTORY INSTALLED		
9801MACH	8	7.9	12	10
91001MACH	10	9.8	9	7
91002MACH	10	10	9	7
91001PK06	6	9.8	18	16
91002PK06	6	10	18	16
91001PK08	8	9.8	13	11
91002PK08	8	10	13	11



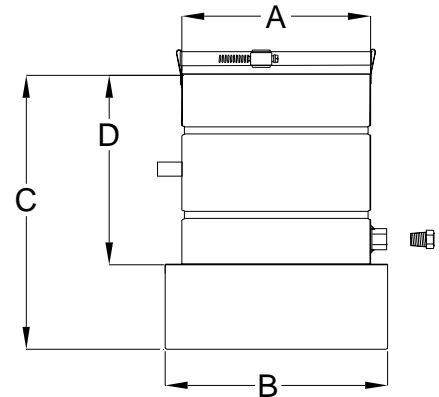
9_01MACH & 91002MACH



9_01PK_ & 9_02PK

P-K Mach Adapter — These adapters are specially designed to connect directly to the vent outlet of P-K Mach Boilers and adapt to CPVC venting. Note: Consult local building code when venting with CPVC

Part Number	DIM - A Nominal Diameter	DIM - B Diameter	DIM - C Overall Length	DIM - D Installed Length
9401PKCPVC	4.6	3.9	7	4
9501PKCPVC	6.7	5.14	7	4
9601PKCPVC	6.7	7.9	10	7
9801PKCPVC	8.7	7.9	10	7



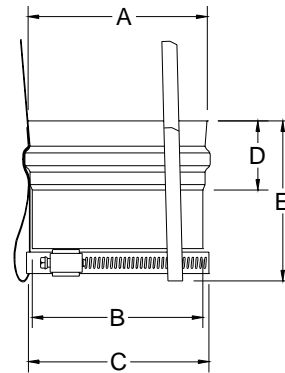
9_01PKCPVC

Saf-T Vent[®] Appliance Adapters

Raypak Boiler Adapter — This adapter is specially designed to connect directly into the vent outlet of Raypak's ADB or High Delta boilers. The hose clamp is tightened around the outside of the flue collar to create a mechanical joint.

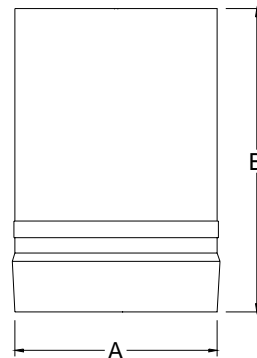
Part Number	DIM - A Nominal Diameter	DIM - B Flue Collar I.D.	DIM - C Hose Clamp Diameter	DIM - D Installed Length	DIM - E Overall Length
9401RYPK	4	4	4.5	1.50	3.75
9501RYPK	5	5	5.5	1.50	3.75
9601RYPK	6	6	6.5	1.50	3.75
9801RYPK	8	8	8.5	1.50	3.75
9901RYPK	9	9	9.5	1.50	3.75
91001RYPK	10	10	10.5	1.50	3.75
91201RYPK	12	12	12.5	1.50	3.75
91401RYPK	14	14	14.5	1.50	3.75
91601RYPK	16	16	16.5	1.50	3.75

Raypak Boiler Adapter



Raypak Vent Cap Adapter — This adapter makes the connection between Saf-T Vent products and Raypak's Flue Exhaust Vent Cap.

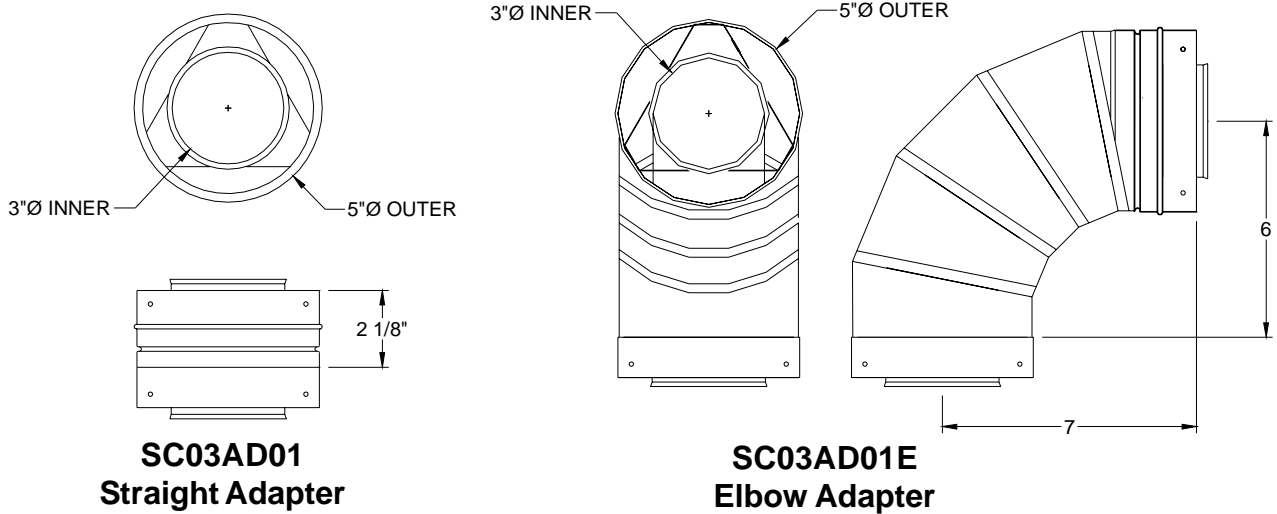
Part Number	DIM - A Nominal Diameter	DIM - B Overall Length
9490RYPK	4	9
9590RYPK	5	9
9690RYPK	6	9
9890RYPK	8	9
9990RYPK	9	9
91090RYPK	10	9
91290RYPK	12	9
91490RYPK	14	9
91690RYPK	16	9



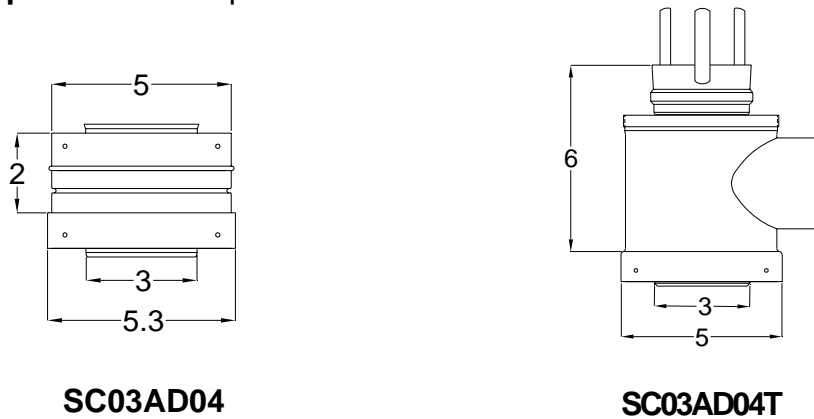
Raypak Vent Cap Adapter

Saf-T Vent[®] Appliance Adapters

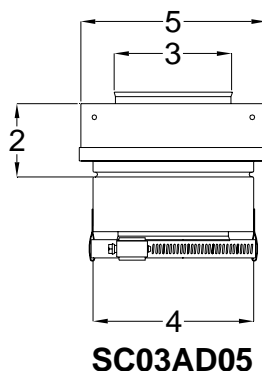
Rinnai Appliance Adapters — The straight adapter, SC03AD01, or elbow adapter, SC3AD01E, is specially designed to connect directly into the vent outlet of the Rinnai Continuum model V2532.



DeDietrich Adapter — SC Adapter for DTG FF



SC Adapter — Paloma PH-25RDVS, Rheem RTG53DV, RTG66DV, Richmond RMTG-53DV, RMTG-66DV, Rudd RUTG-53dv, RUTG-66DV.



Saf-T Vent[®] Appliance Adapters

Appliance Makes and Models:

General Notes:

The following appendix includes adapters from all of Heatfab's Saf-T Vent brands.

Adapters are listed by the appliance manufacturer.

Heatfab Saf-T Vent adapters are compatible with all of Saf-T Vent brands pipes and fittings. EZ Seal to CI Plus and CI Plus to EZ Seal require an adapter, CCA_ADSV, refer to publication PI-CCADSV.

Terms:

Factory Accessory (HF) – This is an accessory supplied by the Appliance Manufacturer for some venting configurations. The vent connection on the accessory is equipped with Heat-fab's standard female end. No separate adapter is required.

Factory Supplied (Gen.) – The appliance is shipped with a generic flue collar that will accept a standard male end of a Heat-fab Saf-T Vent product. No separate adapter is required.

Factory Supplied (HF) – The appliance's flue collar is equipped with Heatfab's standard female end. No separate adapter is required.

Don't See Your Appliance? Call Heat-fab – If an appliance adapter is not listed for your application please call Heatfab at 800-772-0739 for our current recommendation.

Saf-T Vent® Appliance Adapters

Manufacturer	Make & Model	Flue Collar Diameter	Adapter Part #	Page
Aerco International	KC1000	6	5604AER or CCA06ADKC	13
	Benchmark BMK 1.5	6	5604AER or CCA06ADKC	13
	Benchmark BMK 2.0 & BMK 3.0	8	5802AER or CCA08ADBK	13
	Benchmark BMK 2.0	8	5814AER or CCA08ADBK90 (elbow)	14
	Modulex - Series MLX-303 thru MLX-606	4	none required	
	Modulex - Series MLX-757 thru MLX-1061	6	none required	
Ajax	Atlas Goldstar GS-10-A01G	6	Factory Supplied (HF)	
	Atlas Goldstar GS-15-A01G	8	Factory Supplied (HF)	
	Atlas A050 - A075	6	5601BOI or CCA06ADUV	10 & 11
	Atlas A100 - A150	8	5801BOI or CCA08ADUV	10 & 11
	Atlas A200	10	51001BOI or CCA10ADUV	10 & 11
	Atlas A250 - A300	12	51201BOI or CCA12ADUV	10 & 11
	Ace Series	6 thru 16	5_01BOI or CCA__ADUV	10 & 11
	Ajax Series	5 thru 36	5_01BOI or CCA__ADUV	10 & 11
American	GT-305I, GT- 505I	3"/5"	Standard SC components	
	GT-705I	4	9401AMTK	7
A.O. Smith Water Products	Genesis GB & GW-200	4	9464	10
	GB & GW -300	5	9565	10
	GB&GW-400 & -500	6	9666	10
	GB & GW -650 & -750	8	9868	10
	GB & GW 1000	10	5100BOI or CCA10ADUV	10 & 11
	GB & GW-1300 & -1500	12	51201BOI or CCA12ADUV	10 & 11
	GB & GW-1850 & -2100	14	51401BOI or CCA14ADUV	10 & 11
	GB & GW-2500	16	51601BOI or CCA16ADUV	10 & 11
	Legend 2000 LB & LW-500, -750	6	Factory Supplied (HF)	
	LB & LW-1000	7	Factory Supplied (HF)	
	Pro Star XT 19400	4	9401RYPK	20
	Vertex 100	3	9301PVC	5
	ATI 305, ATI 505	3"/5"	Standard SC components	
ATI 705	4	9401AMTK	7	
Bard Mfg.	IH, IC, IL, ISG, & MPG Gas Furnaces	3	9363 for 3" dia. Vent	10
		4	9464 for 4" dia. vent	10

Saf-T Vent® Appliance Adapters

Manufacturer	Make & Model	Flue Collar Diameter	Adapter Part #	Page
Beacon/Morris	BRU, BRU30 - 90, BTU30 - 90	4	9401RHM	8
	BRU / BTU 100-250	5	5501BOI OR CCA05ADUV	10 & 11
	BRU / BTU 300-400	6	5601BOI OR CCA06ADUV	10 & 11
	BST 30-75	4	9401RHM	8
	ALL BM SERIES	4 thru 6	5_01BOI or CCA__ADUV	10 & 11
Bosch	AquaStar 125FX	4	9464	10
	AquaStar 240FX	4	9464	10
	AquaStar 250SX	3	9301BSH	5
	Pro Tankless GWH-635-ES	3	9301BSH	5
	2400E	3	9301BSH	5
	GWH 2400ES	3	9301BSH	5
	GWH 2700ES	3	9301BSH	5
	GWH 345ESR	3	9301BSH	5
	GWH 450ESR	3	9301BSH	5
	GWH 635ES	3	9301BSH	5
	GWH 715ES	3	9301BSH	5
	GWH 425EF	4	9401RHM	8
	Bradford white	EF Series	3	9301PVC
Buderus	GA124 17, 23, 30	3	9301AMTK	3
	GA244 37, 44, 53	3	9301AMTK	3
	GA244 62	4	9401AMTK	7
	G315	7	5701BOI or CCA07ADUV	10 & 11
	G515	10	51001BOI or CCA10ADUV	10 & 11
	G615	14	51401BOI or CCA14ADUV	10 & 11
	SB615 145, 185	6	9601SB	15
	SB615 240, 310	8	9801SB	15
	SB615 400	10	91001SB	15
	SB615 510, 640	12	91201SB	15
	SB735-790/970/1200	14	91401SB	15
	G124X 18 & 25	5	5501BOI or CCA05ADUV	10 & 11
	G124X 32	6	5601BOI or CCA06ADUV	10 & 11
	G234X 38, 45, 55	7	5701BOI or CCA07ADUV	10 & 11
	G234X 64	8	5801BOI or CCA08ADUV	10 & 11
	G334X 73	8	5801BOI or CCA08ADUV	10 & 11
	G334X 92	9	5901BOI or CCA09ADUV	10 & 11
	G334X 116 and G334X 132	10	51001BOI or CCA10ADUV	10 & 11
	GB142	3	9301CPVC	5
GB312 90, 120, 160	6	9601GB	15	
GB312 200, 240, 280	8	9801GB	15	

Heatfab, Selkirk Corp

130 Industrial Boulevard • Turners Falls, MA 01376
800 772 0739 • Fax 413 863 4803 • www.heat-fab.com

Saf-T Vent® Appliance Adapters

Manufacturer	Make & Model	Flue Collar Diameter	Adapter Part #	Page	
Buderus	GB312 90, 120, 160 VENTED WITH CPVC	6	96GBCPVC	15	
	GB312 200, 240, 280 VENTED WITH CPVC	8	98GBCPVC	15	
	GBS	3"/5"	SC03AD07 (DESIGN TBD)		
	GC124 / 3 & 4	5	5501BOI or CCA05ADUV	10 & 11	
	GC124 / 5	6	5601BOI or CCA06ADUV	10 & 11	
Burnham	Revolution Series	3	9353BUREZ	3	
	Series 2PV	3	9353BUREZ	3	
	Spirit Series	3	9353BUREZ	3	
	INDEPENDENCE PV SERIES	3	9353BUREZ	3	
	MINUTEMAN SERIES	3	9353BUREZ	3	
	XG2000A SERIES	3	9353BUREZ	3	
	CHG150, CHG225	3 & 4	none required		
	SCG -3 thru SCG-7	3	9353BUREZ and SC if req.	3	
	SCG-8 & SCG-9	4	9454BUREZ	7	
	Freedom Series - FCM70, FCM90, FCM120	3	none required		
	ALPINE - ALP080, ALP105, ALP150, ALP210	3	9301PVC	5	
	ALPINE - ALP285, ALP399	4	9401PVC	8	
	PVG-3 THRU PVG-7	3	9353BUREZ and SC if req.	3	
	PVG-8 & PVG-9	4	9454BUREZ	7	
	V11 SERIES	8 thru 18	5_01BOI or CCA__ADUV	10 & 11	
	Camus	Dynaflame 500	6	5601BOI or CCA06ADUV	10 & 11
		Dynaflame 750, 1100	8	5801BOI or CCA08ADUV	10 & 11
Dynaflame 1500, 1750		10	51001BOI or CCA10ADUV	10 & 11	
Dynaflame 2000, 2500, 3000		12	51201BOI or CCA12ADUV	10 & 11	
Dynaflame Series 3500, 4000		9	5901BOI or CCA09ADUV	10 & 11	
Dynaflame Series 4500, 5000		10	51001BOI or CCA10ADUV	10 & 11	
Dynaflame Series 6000		12	51201BOI or CCA12ADUV	10 & 11	
Micoflame MFNH060, 100, 150		3	5301BOI	10 & 11	
Micoflame MFNH200, 250		4	5401BOI or CCA04ADUV	10 & 11	
Micoflame MFNH300, 400		5	5501BOI or CCA05ADUV	10 & 11	
Micoflame MFNH500, 600		6	5601BOI or CCA06ADUV	10 & 11	
Micoflame Series 2 MF800, 1000		8	5801BOI or CCA08ADUV	10 & 11	
Micoflame Series 2 MF1200, 1400		10	51001BOI or CCA10ADUV	10 & 11	
Micoflame Series 2 MF1600, 1800, 2000		12	51201BOI or CCA12ADUV	10 & 11	

Saf-T Vent® Appliance Adapters

Manufacturer	Make & Model	Flue Collar Diameter	Adapter Part #	Page	
Camus	Microflame Grande MF2000	12	51201BOI or CCA12ADUV	10 & 11	
	Microflame Grande MF2500, 3000	14	51401BOI or CCA14ADUV	10 & 11	
	Microflame Grande MF3500, 4000	16	51601BOI or CCA16ADUV	10 & 11	
Carel	UG045, 90, 180	3	9301UTI	3	
Cleaver Brooks	Clearfire MCF-750	6	5601BOI or CCA06ADUV	10 & 11	
	Clearfire MCF-1000	8	5801BOI or CCA08ADUV	10 & 11	
	Clearfire MCF-1500	12	51201BOI or CCA12ADUV	10 & 11	
	Clearfire MCF-1800	12	51201BOI or CCA12ADUV	10 & 11	
	FLX	10, 12, 16	CCA_ADFL	12	
	Clearfire CFC-500	6	5601BOI or CCA06ADUV	10 & 11	
	Clearfire CFC-750	6	5601BOI or CCA06ADUV	10 & 11	
	Clearfire CFC-1000	8	5801BOI or CCA08ADUV	10 & 11	
	Clearfire CFC-1500	12	51001BOI or CCA10ADUV	10 & 11	
	Clearfire CFC-1800	12	51201BOI or CCA12ADUV	10 & 11	
	Clearfire CFC-2500	12	51201BOI or CCA12ADUV	10 & 11	
	Columbia Boiler	CDV38 thru CDV125	3	9301UTI	3
		CDV150 thru CDV200	4	9401UTI	9
LVGD90-120		4	9464	10	
Comfortmaker	GUA or GDA Series 40, 60, 80	3	9301ICP	3	
	GUA or GDA Series 100, 120	4	9401ICP	8	
Conematic	SOL 2, AND SOL 3	3"/5"	Standard SC components		
Crown Boiler	Bali BWF 061-162	3	9301CRWN	3	
	Bali BWF 195-229	4	9401CRWN	7	
	Cabo CSC-50 thru CSC-150	3	9301CRWN	3	
	Cabo CSC-175 and CSC-200	4	9401CRWN	7	
	CXE-2 thru CXE-5	3	9301THI	3	
	CXE-6 and CXE-7	4	9464	10	
	XE Series (XE-2 thru XE-5)	4	9401DUN	7	
	BWC 150	3	none required		
	BWC 225	4	none required		
	BWC 300	4	9401VAIL	9	
	BWC 399 & BWC 425	5	9501MACH	19	
	CWD 060-138	3	9301CRWN	3	
	CWD 060-138	3	9301CRWN	3	

Saf-T Vent® Appliance Adapters

Manufacturer	Make & Model	Flue Collar Diameter	Adapter Part #	Page
DeDietrich	GT 120	4	9401MGTV	8
	DTG 120 FF	3"/5"	SC03AD04 or SC03AD04T	21
	GT 210A	6 & 7	5_01BOI or CCA__ADUV	10 & 11
	GT300A	7 & 8	5_01BOI or CCA__ADUV	10 & 11
	GT 400A	10 & 12	5_01BOI or CCA__ADUV	10 & 11
	GTE 500A	16 & 18	5_01BOI or CCA__ADUV	10 & 11
Dunkirk Radiator	XE Series (XE-2 thru XE-5)	4	9401DUN	7
	XEB-2 thru XEB-5	3	9301THI	3
	XEB-6 and XEB-7	4	9464	10
Ecosense (Rheem)	ECO-180DV	3"/5"	SC03AD05	21
Frigidaire	see Nordyne			
Fulton Boiler	PulsePak PHW-300, 500, 750, 950, 1000 (on/off)	4	Factory Supplied	7
	PulsePak PHW-300, 500, 750, 950, 1000, 1400 (modulating)	4	Factory Supplied (Gen.)	
	Pulse PHW-2000	6	Factory Supplied (Gen.)	
	Pulse PHW-2000QT	6	9601FMA	17
	Vantage 2000	10	51001BOI or CCA10ADUV	10 & 11
	Vantage 3000	10	51001BOI or CCA10ADUV	10 & 11
	Vantage 4000	14	51401BOI or CCA14ADUV	10 & 11
	VLP-750, 1150	4	9401FUL	7
	4" Fulton Exhaust Muffler	4	9401FMA	17
	6" Fulton Exhaust Muffler	6	9601FMA	17
	Pulse PDWH 750 and PDWH 1000	4	9401FUL	7
	Pulse PVLP750 and PVLP 1150	4	9401FUL	7
Gasmaster Industries	GMI 200, 300, 400	4	5401BOI	10
	GMI 600	6	5601BOI or CCA06ADUV	10 & 11
	GMI 800, 1M	8	5801BOI or CCA8ADUV	10 & 11
	GMI 1.5M, 2M	12	51201BOI or CCA12ADUV	10 & 11
	GMI 4M	18	51801BOI or CC18ADUV	10 & 11
	GMI 8M	24	52401BOI or CCA24ADUV	10 & 11
Gibson	see Nordyne			
General Electric	GN75DNSRSA, GN94DNSRSA	3"/5"	Standard SC components	
	GN94DPSRSA	4	9401AMTK	7

Saf-T Vent® Appliance Adapters

Manufacturer	Make & Model	Flue Collar Diameter	Adapter Part #	Page
Hatco Corporation	Powermite PMG-100 & -200	4	5401BOI	10
Hayward Pool Prod.	H250IDL, H350IDL, & H400IDL	6	Factory Supplied (HF)	
	H250FDN, H250FDP	6	Factory Supplied (HF)	
	H350FDN, H350FDP, H400FDN, H400FDP	8	Factory Supplied (HF)	
H. B. Smith	PVG-2 thru PVG-5	4	9401DUN	7
	PVGA-2 thru PVGA-5	3	9301THI	3
	PVGA-6 and PVGA-7	4	9464	10
	GT150, 200	3	9301CPVC	5
	GT400	4	9401CPVC	7
Hobart Corporation	IB57 & IB140 Booster Heater	3	9363	10
	IB235 & IB290 Booster Heater	4	9464	10
Hydrotherm	HI-85/50B, HI-125/75B, HI-165/100B)	4	9401MES	8
	ID-85A, ID-125A, ID-165A	4	9401MES	8
	Innova IHS-40 thru IHS-160	4	9401MES	8
	Sabre FX - 70, 105, and 140	3	9314SMI	5
	FX - 175 and 200	4	9414SMI	9
	KN -10	6	9601KN (Factory Supplied) or CCA06ADKN	17
	KN -6	6 to 5	Factory Supplied (HF)	
	KN -20	9	Factory Supplied (HF)	
	GX-150 and GX-200	3	9301CPVC	5
	GX-400	4	9401CPVC	7
International Comfort Products (ICP)	GUA or GDA Series 40, 60, 80	3	9301ICP	3
	GUA or GDA Series 100, 120	4	9401ICP	8
Laars Heating Systems	Endurance EBP, EDN, & EDP (all sizes)	3	SC Vent Kit (Mfg.) or 9301THI	3
	Heatmaker H,HP, & HW (all sizes)	3	9301THI	3
	Mini-Therm JVi JVH/JVP 50 -225	4	9401JVI	8
	Mini-Combo id	4	5401BOI	10
	Summit	3	9301CPVC	5
	Rheos 1200, 1600 or Rheos Plus 1200, 1600	6	5601BOI or CCA06ADUV	10 & 11

Heatfab, Selkirk Corp

130 Industrial Boulevard • Turners Falls, MA 01376
800 772 0739 • Fax 413 863 4803 • www.heat-fab.com

Saf-T Vent® Appliance Adapters

Manufacturer	Make & Model	Flue Collar Diameter	Adapter Part #	Page	
Laars Heating Systems	Rheos 2000 or Rheos Plus 2000	7	5701BOI or CCA07ADUV	10 & 11	
	Rheos 2400 or Rheos Plus 2400	10	51001BOI or CCA10ADUV	10 & 11	
	Pennant 500 (Cat I, III, & Sidewall)	6	5601BOI or CCA06ADUV	10 & 11	
	Pennant 750 (Cat. I)	8	5801BOI or CCA08ADUV	10 & 11	
	Pennant 750 (Cat. II & Sidewall)	6	5601BOI or CCA06ADUV	10 & 11	
	Pennant 1000 (Cat. I)	10	51001BOI or CCA10ADUV	10 & 11	
	Pennant 1000 (Cat. II & Sidewall)	8	5801BOI or CCA08ADUV	10 & 11	
	Pennant 1500 (Cat. I)	12	51201BOI or CCA12ADUV	10 & 11	
	Pennant 1500 (Cat. II & Sidewall)	10	51001BOI or CCA10ADUV	10 & 11	
	Pennant 2000 (Cat. I)	14	51401BOI or CCA14ADUV	10 & 11	
	Pennant 2000 (Cat. II & Sidewall)	12	51201BOI or CCA12ADUV	10 & 11	
	MightyMax Series				
	HH,PH,PW, & VW 0320M	6	9601LARS *	16	
	HH,PH,PW, & VW 0400M	7	9701LARS *	16	
	HH,PH,PW, & VW 0520M	8	9801LARS *	16	
	HH,PH,PW, & VW 0625M	8	9801LARS *	16	
	HH,PH,PW, & VW 0775M	9	9901LARS *	16	
	HH,PH,PW, & VW 1000M	10	91001LARS *	16	
	Mascot	3	9301CPVC	5	
* Available from Laars Heating Systems for appliances being vented with AL294C.					
Lennox	CMWB-2 thru CMWB-5	3	9301THI	3	
	CMWB-6 and CMWB-7	4	9464	10	
	CXE-2 thru CXE-5	4	9401DUN	7	
	CXEB-2 thru CXEB-5	3	9301THI	3	
	CXEB-6 and CXEB-7	4	9464	10	
Lochinvar	Copper-Fin II CF & CH 300	5	5501BOI or CCA05ADUV	10 & 11	
	CF & CH 401, 501	6	5601BOI or CCA06ADUV	10 & 11	
	CF & CH 651, 751	8	5801BOI or CCA08ADUV	10 & 11	
	CF & CH 990	10	51001BOI or CCA10ADUV	10 & 11	
	CF & CH 1260, 1440	12	51201BOI or CCA12ADUV	10 & 11	
	CF & CH 1800, 2070	14	51401BOI or CCA14ADUV	10 & 11	
	Efficiency+ EB/EW/EP 100	3	9363	10	
	EB/EW/EP 150 and 200	4	9464	10	
	EB/EW/EP 250 and 300	5	9565 or 9514LOCH	10 & 16	
	Efficiency+ Sidewall Vent Cap Adapter	4	9454LOCH	16	
	Efficiency+ Sidewall Vent Cap Adapter	5	9555LOCH	16	

Saf-T Vent® Appliance Adapters

Manufacturer	Make & Model	Flue Collar Diameter	Adapter Part #	Page
Lochinvar	Intelli-Fin IBL & IBN 1500	6	5601BOI or CCA06ADUV	10 & 11
	Intelli-Fin IBL & IBN 1700	7	5701BOI or CCA07ADUV	10 & 11
	Intelli-Fin IBL & IBN 2000	8	5801BOI or CCA08ADUV	10 & 11
	Power-Fin PB & PF Series 0250	5	5501BOI or CCA05ADUV	10 & 11
	PB & PF Series 0500/0501	7	5701BOI or CCA07ADUV	10 & 11
	PB & PF Series 0750/0751	9	5901BOI or CCA09ADUV	10 & 11
	PB & PF Series 1000/1001	10	51001BOI or CCA10ADUV	10 & 11
	PB & PF Series 1300	12	51201BOI or CCA12ADUV	10 & 11
	PB & PF Series 1500	8	5801BOI or CCA08ADUV	10 & 11
	PB & PF Series 1700	8	5801BOI or CCA08ADUV	10 & 11
	PB & PF Series 2000	10	51001BOI or CCA10ADUV	10 & 11
	PBN & PFN Series 0502 (Cat. IV)	4	5401BOI or CCA04ADUV	10 & 11
	PBN & PFN Series 0502 (Cat. II)	7	5701BOI or CCA07ADUV	10 & 11
	PBN & PFN Series 0752 (Cat. IV)	5	5501BOI or CCA05ADUV	10 & 11
	PBN & PFN Series 0752 (Cat. II)	9	5901BOI or CCA09ADUV	10 & 11
	PBN & PFN Series 1002 (Cat. IV)	6	5601BOI or CCA06ADUV	10 & 11
	PBN & PFN Series 1002 (Cat. II)	10	51001BOI or CCA10ADUV	10 & 11
	PBN & PFN Series 1302 (Cat. IV)	8	5801BOI or CCA08ADUV	10 & 11
	PBN & PFN Series 1302 (Cat. II)	12	51201BOI or CCA12ADUV	10 & 11
	PBN & PFN Series 1501 (Cat. IV)	6	5601BOI or CCA06ADUV	10 & 11
	PBN & PFN Series 1501 (Cat. II)	8	5801BOI or CCA08ADUV	10 & 11
	PBN & PFN Series 1701 (Cat. IV)	7	5701BOI or CCA07ADUV	10 & 11
	PBN & PFN Series 1701 (Cat. II)	9	5901BOI or CCA09ADUV	10 & 11
	PBN & PFN Series 2001 (Cat. IV)	8	5801BOI or CCA08ADUV	10 & 11
	PBN & PFN Series 2001 (Cat. II)	10	51001BOI or CCA10ADUV	10 & 11
	ERN151 and ERN201	4	5401BOI or CCA04ADUV	10 & 11
	ERN251, 301, 401	5	5501BOI or CCA05ADUV	10 & 11
Knight KBN 080 - 285	3	9301PVC	5	
Knight KBN 399 & 500	4	9401PVC	7	
Modine	HD30 thru HD75	3	9301MOD	4
	HD 100 AND HD 125	4	5401BOI	10
	HDB 60 AND HDB 75	3	9301MOD	4
	HDB 100 AND HDB 125	4	5401BOI	10
	HDS 30 AND HDS 45	3	9301MOD	4
	HDS 60 THRU HDS 125	4	5401BOI	10
	HDC 60 THRU HDC 125	4	5401BOI	10
	PDP / BDP	5 & 6	9565 & 9666	10
	GT 400A	10 & 12	5_01BOI or CCA__ADUV	10 & 11
	Hot Dawg Vent Cap Adapter	3	9302MOD	4

Saf-T Vent® Appliance Adapters

Manufacturer	Make & Model	Flue Collar Diameter	Adapter Part #	Page
Monitor Products	MZ Series	3"/5"	SC03AD01	21
New Yorker	PVCG Series (30 thru 60)	3	9353BUREZ	3
Nordyne	FG6RA-045	3	9363	10
	FG6RA-060 THRU -120	4	9464	10
	FG6RA-144	5	9565	10
	FG6RAK (all models)	4	9464	10
Noritz	N-042	3	9301PAL	4
	N-063S, N-069M, N-084M, N-084M-DV	4	9401RYPK	20
	N-132	5	9501NOR	18
	N-0531S	3	9301UTI	3
	N-0631S, N-751M, N-841MC, N-931M	4	9401RYPK	20
Nortec	GHB / GHP / GHMC 100	3	9301AMTK	3
	GHB / GHP / GHMC 200 and 400	4	9401AMTK	7
	GS 100	3	9363	10
	GS 200	4	5401BOI or CCA04ADUV	10 & 11
	GS 300 / 400	5	5501BOI or CCA05ADUV	10 & 11
	GS 500 / 600	6	5601BOI or CCA06ADUV	10 & 11
Paloma Industries	PH-16, PH-20, PTG-42, PTG-53	3	9301PAL	4
	PH-28, PTG-74	4	9401RHM	8
	PH-25RDVS	3"/5"	SC03AD05	21
Patterson-Kelley	Modu-Fire N1000	10	51001BOI or CCA10ADUV	10 & 11
	Modu-Fire N1500 & N2000	12	51201BOI or CCA12ADUV	10 & 11
	Modu-Fire N1500MD	8 or 6*	9801PK08 or 9801PK06	18
	Modu-Fire N2000MFD	8 or 6*	9801PK08 or 9801PK06	18
	Thermific 700, 900, 1200	10	51001BOI or CCA10ADUV	10 & 11
	Thermific 1500, 1700, 1900	12	51201BOI or CCA12ADUV	10 & 11
	N1000MFD	6	5601BOI or CCA06ADUV	10 & 11
	N1000MFD WITH 5" VENTING	6	965PKMODU 6" to 5" REDUCER *	18
	N750MFD / N1000MFD WITH 4" VENTING	6	964PKMODU 6" to 4" REDUCER *	18
	N1500MFD / N2000MFD	8	9801PK08	18
	* Refer to Boiler instructions			

Saf-T Vent® Appliance Adapters

Manufacturer	Make & Model	Flue Collar Diameter	Adapter Part #	Page	
Patterson-Kelley	N1500MFD / N2000MFD WITH 6" VENTING	8	9801PK06 8" TO 6" REDUCER *	18	
	N1500MFD / N2000MFD WITH 6" UNIVERSAL VENTING	8	9801PK06UV 8" TO 6" REDUCER UNIV. *	18	
	Mach C - 300	4	9401MACH	19	
	Mach C-300 VENTED WITH CPVC	4	9401PKCPVC	19	
	Mach C - 450	5	9501MACH	19	
	Mach C-450 VENTED WITH CPVC	5	9501PKCPVC	19	
	Mach C - 750	6	Factory Supplied (HF)		
	Mach C-750 VENTED WITH CPVC	6	9601PKCPVC	19	
	Mach C - 900/1050	8	9801MACH	19	
	Mach C-900/1050 VENTED WITH CPVC	8	9801PKCPVC	19	
	Mach C - 1500 / 2000	9.8	91001MACH	18	
	Mach C - 1500 / 2000	10	91002MACH	18	
	Mach C - 1500 / 2000 WITH 8" VENTING	9.8	91001PK08 10" TO 8" REDUCER	18	
	Mach C - 1500 / 2000 WITH 8" VENTING	10	91002PK08 10" TO 8" REDUCER	18	
	Mach C - 1500 / 2000 WITH 6" VENTING	9.8	91001PK06 10" TO 6" (VERTICAL ONLY)	18	
	Mach C - 1500 / 2000 WITH 6" VENTING	10	91002PK06 10" TO 6" (VERTICAL ONLY)	18	
	* Refer to Boiler instructions				
	Peerless Heater	DE Series (all models)	3	9301AMTK	3
		PDE Series (all models)	3	93PLSTEE	4
PDE Vent Cap Adapter		3	9302PL	4	
PSC Series (all models)		3	9301AMTK	3	
Pennco	FS Series (FS-2 thru FS-5)	4	9401DUN	7	
	FSB-2 thru FSB-5	3	9363	10	
	FSB-6 and FSB-7	4	9464	10	
Pentair Pool Products	Master Temp Series 175K - 500K	4	9401SRI	9	
	MAX - E - THERM	4	9401SRI	9	
	Mini Max NT & Low NOX	4 or 5	5401BOI or 5501BOI	10 & 11	
Precision Temp	PT-200 Gas Booster Heater	4	9464	10	

Saf-T Vent[®] Appliance Adapters

Manufacturer	Make & Model	Flue Collar Diameter	Adapter Part #	Page
Pure Humidifier Co.	GX-3, GX-4	4	5401BOI or CCA04ADUV	10 & 11
	GX-8	6	5601BOI or CCA06ADUV	10 & 11
	GX-12	8	5801BOI or CCA08ADUV	10 & 11
PVI Industries	Power VT (all models)	4	9401PVI	8
Raypak	B-50 & B-130A Gas Booster Heater	3	9363	10
	B-195 Gas Booster Heater	4	9464	10
	Advanced Design Boiler (ADB)			
	ADB-500	6	9601RYPK	20
	ADB-750	8	9801RYPK	20
	ADB-1000 w/out CHX	9	9901RYPK	20
	ADB-1000 with CHX	10	91001RYPK	20
	ADB-1500	12	91201RYPK	20
	Hi Delta			
	122	4	9401RYPK	20
	162, 202, 242, 302	5	9501RYPK	20
	322, 402 and 502	6	9601RYPK	20
	652, 752, and 902	8	9801RYPK	20
	992	10	91001RYPK	20
	1262 and 1532	12	91201RYPK	20
	1802, 2002, and 2072	14	91401RYPK	20
	2342	16	91601RYPK	20
	Vent Cap Adapters (ADB , Hi-delta)	4	9490RYPK	20
		5	9590RYPK	20
		6	9690RYPK	20
	8	9890RYPK	20	
	9	9990RYPK	20	
	10	91090RYPK	20	
	12	91290RYPK	20	
	14	91490RYPK	20	
	16	91690RYPK	20	
	MVB 503, 753, 1003	6	5601BOI or CCA06ADUV	10 & 11
	MVB 1253, 1503, 1753, 2003	8	5801BOI or CCA08ADUV	10 & 11
RBI Water Heaters	Futera 65, 100, & 150	3	5301BOI	10
	Futera 200, 250, & 300	4	5401BOI	10
	Futera 350 & 400	5	5501BOI or CCA05ADUV	10 & 11

Saf-T Vent[®] Appliance Adapters

Manufacturer	Make & Model	Flue Collar Diameter	Adapter Part #	Page
RBI Water Heaters	Futera II 500 (Cat. IV)	6	5601BOI or CCA06ADUV	10 & 11
	Futera II 500 (Cat. II)	8	5801BOI or CCA08ADUV	10 & 11
	Futera II 750 (Cat. IV)	8	5801BOI or CCA08ADUV	10 & 11
	Futera II 750 & 1000 (Cat. II)	10	51001BOI or CCA10ADUV	10 & 11
	Futera II 1000 (Cat. IV)	9	5901BOI or CCA09ADUV	10 & 11
	Futera II 1250, 1500 (Cat. IV)	10	51001BOI or CCA10ADUV	10 & 11
	Futera II 1250, 1500 (Cat. II)	12	51201BOI or CCA12ADUV	10 & 11
	Futera II 1750, 1950 (Cat. IV)	12	51201BOI or CCA12ADUV	10 & 11
	Futera II 1750, 1950 (Cat. II)	14	51401BOI or CCA14ADUV	10 & 11
	Futera III 500, 750 (Cat. IV)	5	5501BOI or CCA05ADUV	10 & 11
	Futera III 500, 750 (Cat. II)	6	5601BOI or CCA06ADUV	10 & 11
	Futera III 1000 (Cat. IV)	6	5601BOI or CCA06ADUV	10 & 11
	Futera III 1000 (Cat. II)	7	5701BOI or CCA07ADUV	10 & 11
	Futera III 1250 (Cat. IV)	6	5601BOI or CCA06ADUV	10 & 11
	Futera III 1500 (Cat. IV)	8	5801BOI or CCA08ADUV	10 & 11
	Futera III 1250, 1500 (Cat. II)	8	5801BOI or CCA08ADUV	10 & 11
	Futera III 1750, 2000 (Cat. II and Cat. IV)	10	51001BOI or CCA10ADUV	10 & 11
	Futera Fusion CB/CW 500, 750, 1000	7	5701BOI or CCA07ADUV	10 & 11
	Futera Fusion CB/CW 1200, 1500	8	5801BOI or CCA08ADUV	10 & 11
	Futera Fusion CB/CW 1750, 2000	10	51001BOI or CCA10ADUV	10 & 11
RBI Water Heaters	Futera II, III, LCD, & Dominator Exhaust Term Adapters	6	9690RYPK	20
		8	9890RYPK	20
		9	9990RYPK	20
		10	91090RYPK	20
		12	91290RYPK	20
Reznor	FT 30-65	4	9464	10
	BE & FE 25 -100	4	9464	10
	BE & FE 125 -250	5	9565	10
	BE & FE 300-400	6	9666	10
Rheem	RTG-42, RTG-53	3	9301PAL	4
	RTG-74, GT-199PV	4	9401RHM	8
	RTG-53DV, RTG-66DV	3"/5"	SC03AD05	21

Saf-T Vent® Appliance Adapters

Manufacturer	Make & Model	Flue Collar Diameter	Adapter Part #	Page
Richmond	RMTG-42, RMTG-53	3	9301PAL	4
	RMTG-74	4	9401RHM	8
	RMTG-66DV	3"/5"	SC03AD05	21
	RMTG-53DV, RMTG-66DV	3"/5"	SC03AD05	21
Rinnai	Continum	3	SC Vent Kit (HF), SC03AD01, SC03AD01E	21
	R50LSI, R75LSI, R94LSI	3"/5"	Standard SC components	
	R98I, R98LSI	4	9401AMTK	7
Riverside Hydronics	Primera 400	6	5601BOI or CCA06ADUV	10 & 11
	Primera 750, 1000	8	5801BOI or CCA08ADUV	10 & 11
	Primera 1200,	10	51001BOI or CCA10ADUV	10 & 11
	Primera 1600, 2000	12	51201BOI or CCA12ADUV	10 & 11
	EPV Series, Emblem	4	5401BOI or CCA04ADUV	10 & 11
Ruud	RUTG-42, RUTG-53	3	9301PAL	4
	RUTG-74	4	9401RHM	8
	GT-199PV	4	9401RHM	8
	RUTG-53DV, RUTG-66DV	3"/5"	SC03AD05	21
Slant/Fin	Concept 21 Boiler (all models)	3	Factory Supplied (HF)	
	Prodigy 21 Boiler all models)	3	Factory Supplied (HF)	
	Victory Boiler (all models)	3	Factory Supplied (HF)	
	Victory II Boiler (all models)	3	Factory Supplied (HF)	
	Lynx LX-85	3	9301PVC	5
	Bobcat B-120, B-200	3	9301PVC	5
Smith Boiler	GV100W-3 thru GV100W-7	4	9401MES	8
	GS110-3, GS110-4, GS110-5	3	9314SMI	5
	GS110-6, GS110-7	4	9414SMI	9
	Series 19A	7 thru 12	5__01BOI or CCA__ADUV	10 & 11
	Series 28A	10 thru 18	5__01BOI or CCA__ADUV	10 & 11
Snyder General Furnace	GUA or GDA Series 40, 60, 80	3	9301ICP	3
	GUA or GDA Series 100, 120	4	9401ICP	8
Sta - Rite	Max-E-Therm SR Pool and Spa Heater (SR200, SR333, SR400)	4	9401SRI	9
	(Kit 77707-0086 from Sta-Rite)			

Saf-T Vent® Appliance Adapters

Manufacturer	Make & Model	Flue Collar Diameter	Adapter Part #	Page
State Water Heater	Aurora Tankless	4	9401RYPK	20
	GTS-305I, GTS-505I	3"/5"	Standard SC components	
	GTS-705I	4	9401AMTK	7
Sterling	TF 100 - 250	5	9565	10
	TF 300 - 400	6	9666	10
	RF Series	4	9464	10
Stero Company	SIB140 Booster Heater	3	9363	10
	SIB235 & SIB290 Booster Heater	4	9464	10
Takagi	FlashT-K1	4	9464	10
	Flash T-K2	4	9464	10
	Flash T-K3	4	9464	10
	Flash T-H1	4	9464	10
	Flash T-KD20*	4	9464	10
	Mobius T-M1*	4	9464	10
	Mobius T-M199	4	9464	10
	T-K1S, T-K2, & T-K Jr.*	4	9464	10
	* When using, TK-TV03, Back Flow Preventer on these models	4	9401AMTK	7
	T-M50	5	9501RYPK	20
Flash T-K3-SP	4	9464	10	
Tappan	see Nordyne			
Teledyne Laars	see Laars Heating Systems			
Thermal Solutions	Evolution EVH-250	3	Factory Supplied (HF)	
	Evolution EVH-500 & -750	4	Factory Supplied (HF)	
	Evolution EVH-1000,-1500,-2000	6	Factory Supplied (HF)	
	Evolution (Conventional Vent)			
	EVH-250	5	Factory Supplied (HF)	
	EVH-500	6	Factory Supplied (HF)	
	EVH-750	7	Factory Supplied (HF)	
	EVH-1000	9	Factory Supplied (HF)	
	EVH-1500	10	Factory Supplied (HF)	
	EVH-2000	12	Factory Supplied (HF)	
	Evolution EV-2000S	6	Factory Supplied (HF)	
Evolution EV-2500, 3000	8	Factory Supplied (HF)		
Solaris	4, 6, 8, 10	5_01BOI or CCA_ADUV	10 & 11	

Saf-T Vent® Appliance Adapters

Manufacturer	Make & Model	Flue Collar Diameter	Adapter Part #	Page
Thermo-Dynamics	LMGD (all models)	4	9464	10
	CWL-GS 120, 140, 160 Series	5	5501BOI or CCA05ADUV	10 & 11
	LMD 75, 100, 110	5	5501BOI or CCA05ADUV	10 & 11
Trianco-Heatmaker	Heatmaker H, HP, & HW (all sizes)	3	9301THI	3
Triangle Tube	HM Series G Model 25 & 30	3	9301DEL	5
	Delta Performance (all models)	3	SC Vent Kit (Mfg.), EZ Vent Kit (Mfg.), or 9301DEL	5
Utica Boilers	DV & DVA -38 thru -125	3	9301UTI	3
	DV & DVA -150 thru -200	4	9401UTI	9
	DVB -50 thru -125	3	9301UTI	3
	DVB -150 thru -200	4	9401UTI	9
	USC Series Boiler (all sizes)	3	9301UTI	3
Vaillant	GA100PV & SC (all models)	3	9301VAIL	4
	GA92160PV	4	9401VAIL	9
VAPAC	GF Series	3	9301UTI or Standard SC	3
Viessmann	Vitogas 050 ECV (all models)	3	9363	10
	Vitogas 100 GS10-72	8	5801BOI or CCA08ADUV	10 & 11
	Vitogas 100 GS10-84	9	5901BOI or CCA09ADUV	10 & 11
	Vitogas 100 GS10-96	10	51001BOI or CCA10ADUV	10 & 11
	Vitoden 100	3	9301VSMN	3
	Vitoden 200 WB2 6-24 & 8-32	3	9301VSMN	3
	Vitoden WB2 11-44 & 15 -60	4	9401VSMN	9
	Vertomat VSB-17, -22, -28	8	5801BOI or CCA08ADUV	10 & 11
	Vertomat VSB-37, -46, -57	10	51001BOI or CCA10ADUV	10 & 11
	Vertomat VSB-72, -89	12	51201BOI or CCA12ADUV	10 & 11
	Vitocrossal 300 Series, CT3-17, 22, 28	8	5801BOI or CCA08ADUV	10 & 11
	Vitocrossal 300 Series, CT3-37, 46, 57	10	51001BOI or CCA10ADUV	10 & 11
Vitocrossal 300 Series, CT3-72, 89	12	51201BOI or CCA12ADUV	10 & 11	
WaiWela	PH-16IFSN/P PH-20-RIFS/N	3	9301PAL	4
	PH28RIFS & PH28CIFS	4	9401RHM	8

Saf-T Vent® Appliance Adapters

Manufacturer	Make & Model	Flue Collar Diameter	Adapter Part #	Page
Weben Jarco	Vision 3000 750	6	Factory Supplied (HF)	
	Vision 3000 1000	8	Factory Supplied (HF)	
	Vision 3000 1500 & 2000	10	Factory Supplied (HF)	
	E-Finiti E_020	3	5301BOI	10
	E-Finiti E_040, E_060	4	5401BOI	10
	E-Finiti E_075, E_100	6	5601BOI or CCA06ADUV	10 & 11
	E-Finiti E_125, E_150	8	5801BOI or CCA08ADUV	10 & 11
	E-Finiti E_175, E_200	10	51001BOI or CCA10ADUV	10 & 11
Weil-McLain	Gold Series 3 & 4 (all models)	3	93WMSTXL	6
	Gold Series 2 (all models)	3	93WMSTRT (straight) 93WMSTLH (horz. elbow) 93WMSTLV (vert. elbow)	6
	CGi / CGs / CGt (all models)	3	93WMCGIS	6
	VHE Series (all models)	3	93WMSTEE	6
	Ultra Series UG-80, 105, 155	3	9301CPVC	5
	Ultra Series UG-230, 310	4	9401CPVC	7
Westinghouse	see Nordyne			
Williamson-Thermoflo	Gwi / GWs (all models)	3	93WMCGIS	6