

### Tips for a Successful Installation

Selkirk's Saf-T Vent systems are Special Gas Vent systems designed to meet the unique venting challenges presented by positive-pressure, condensing gas-fired appliances.

Saf-T Vent systems have been successfully installed in thousands of residential, commercial and industrial settings with a track record of superior performance dating back nearly 20 years.

As part of our effort to continuously improve the products we manufacture, Selkirk has performed extensive testing, visited job site installations and listened to countless installers. The information we have gathered has prompted us to write this bulletin which highlights important installation practices that lead to gas-tight, leak-proof, properly installed systems.

#### Key Points

1. Read & follow the appliance manufacturer's instructions.
2. Read & follow Selkirk's instructions.
3. When RTV Sealant is required, apply it correctly.
4. Secure the joint!
5. Get going in the right direction – Follow the flow arrows.
6. Maintain proper slope – Install with a continuous  $\frac{1}{4}$ " per foot (minimum) slope back to the appliance.
7. Drain the condensate.
8. Provide adequate support – Support after every offset or elbow, after every 6 feet of horizontal run, after every 30 feet of vertical run, and at each adjustable fitting.
9. Inspect annually.

#### 1. Read & Follow the Appliance Manufacturer's Instructions.

- Manufacturers develop and test their appliances to operate efficiently and safely when vented properly. Many appliance installation manuals will give instructions on the maximum number of offsets or elbows as well as the total equivalent length of vent allowed. Always refer to the manufacturer's manuals for guidance.
- Common venting of appliances is permitted only when allowed by the appliance manufacturer(s).
- Some appliances must be vented with double-wall Saf-T Vent CI Plus. If the manual does not distinguish between single-wall and double-wall, call us for a recommendation.
- Manufacturer's instructions supercede Heatfab manuals.
- Clearance requirements outlined in the appliance manufacturer's manuals must be followed. Their clearances and/or national and local code requirements take priority over Heatfab instructions.

### 2. Read & Follow Selkirk's Instructions.

- Installation and Maintenance Instructions for Saf-T Vent systems are packaged with critical components (elbows, tees, and terminations), as are other supplemental instruction sheets for the critical component itself.
- Accessories (roof jacks, vertical supports, and wall penetrations) come with detailed instructions specific to their proper installation.
- If you have questions on correct installation methods, call us. Our engineering technicians would love to hear from you.
- Installation information is also available at our web site [www.heatfab.com](http://www.heatfab.com).
- BEFORE YOU TRY IT YOUR WAY, PLEASE TRY OUR WAY FIRST!

### 3. When RTV Sealant is Required, Apply It Correctly.

- Sealant MUST be used on diameters larger than 16 inches! Diameters 5" – 16" have an integral gasket built right in. RTV Sealant is NOT required for these diameters.
- Use only GE RTV 106 or Dow Corning 732.
- GE RTV 106 will cover all Heat-fab installations with flue gas temperatures up to 550°F.
- Dow Corning 732 may be used on low temperature applications with flue gas temperatures up to 300°F.
- Clean the joint area before applying sealant. Alcohol pads are included with each part and should be used to remove dirt and trace oils.
- A 1/8" bead of sealant is enough.
- Apply the sealant on the outside of the male end (end without tabs), about 1/4" – 3/8" up from the end of the part, in a straight and continuous bead. A straight and continuous bead works just fine – a zigzag or wavy line usually applies too much sealant and could leave gaps. Gaps in the bead will cause leaks.
- Inspect the joint after it has been put in place. Apply extra sealant to any voids or crevices. Smooth it out with your finger if you want – but wipe the excess on a paper towel or work rag, not on your clothes. RTV will stain and is difficult to remove.
- Be sure to apply extra sealant when called for. Some joints, such as adjustable sections and flue collar connections, require additional sealant.
- GIVE IT A REST! Dow Corning and GE both recommend sealant be allowed to cure for 24 hours before operating the appliance.

### 4. Secure the Joint

- Insert the tapered male end into the flared female end using enough pressure to completely seat the connection.
- DO NOT attempt to make up inches by joining the sections partially.
- For parts with the Ring-and-Tab connection, slide the Ring over all Tabs, bringing it down as far as possible. Now bend the Tabs over completely. A flat head screwdriver can be helpful to start bending the Tabs.
- For CI Plus parts:
  - Insert the male end into the female end, lining up the Locking Tabs at the same time. If needed, use pliers to squeeze the Tabs so they will accept the slots in the Mechanical Locking Strap. Spraying the gasket with water or a mixture of water and liquid soap will lubricate it for an easier assembly.

- When assembling elbows and tees, the male end tabs will rotate around the vent to accommodate offsets and direction changes.
- Position the Mechanical Locking Strap over the Tabs, making sure each slot encompasses both Tabs, and then tighten.
- Center the Coupler Band around the completed joint and tighten.
- DO NOT use screws or pop rivets when joining Saf-T Vent systems! EXCEPTION: Saf-T Vent SC is designed to be assembled with the use of tap screws, which are included with each part.

## 5. Get Going in the Right Direction – Follow the Flow Arrows.

- Every length of Heatfab vent has a product sticker with an arrow showing the direction of flue gas flow.
- The tapered ends of the Saf-T Vent parts are designed to help drain condensate back to the appliance. Although the direction of the tapered ends will seem backward for smooth airflow, don't worry. It's more important to remove the condensate from the system.
- Line-up the seams – makes a good-looking job!
- Turn the seams up towards the ceiling when installing horizontally.

## 6. Maintain Proper Slope.

- Install with a continuous ¼" per foot (minimum) slope, as is required by the National Fuel Gas Code for all gas-fired appliances.
- Vent systems for condensing appliances must have a continuous ¼" per foot (minimum) slope toward the appliance or a condensate drain. Always check the appliance manufacturer's instructions for proper drain requirements.
- Some appliances require the venting system to be sloped toward the **horizontal termination**.
- Remember, if you raise the appliance or lower the ceiling you must adjust the slope of the vent to maintain the ¼" per foot minimum.
- Use the chart below to help plan your system.

Horizontal Length	Flue Pitch
1 foot	¼ inch
2 feet	½ inch
3 feet	¾ inch
4 feet	1 inch
5 feet	1 ¼ inches
<b>6 feet*</b>	1 ½ inches
7 feet	1 ¾ inches
8 feet	2 inches
9 feet	2 ¼ inches
10 feet	2 ½ inches

Horizontal Length	Flue Pitch
11 feet	2 ¾ inches
<b>12 feet*</b>	3 inches
13 feet	3 ¼ inches
14 feet	3 ½ inches
15 feet	3 ¾ inches
16 feet	4 inches
17 feet	4 ¼ inches
<b>18 feet*</b>	4 ½ inches
19 feet	4 ¾ inches
20 feet	5 inches

Horizontal Length	Flue Pitch
21 feet	5 ¼ inches
22 feet	5 ½ inches
23 feet	5 ¾ inches
<b>24 feet*</b>	6 inches
25 feet	6 ¼ inches
26 feet	6 ½ inches
27 feet	6 ¾ inches
28 feet	7 inches
29 feet	7 ¼ inches
<b>30 feet*†</b>	7 ½ inches

\* A Horizontal Support is required every six feet and after every elbow or offset.

† A Condensate Drain is required every 30 feet.

### 7. Drain the Condensate.

- Follow the appliance manufacturer's installation instructions. Some require condensate drains only for vent systems over a certain length.
- If a drain is required, Selkirk recommends:
  - Drains at all transitions from horizontal to vertical vent runs.
  - Immediately before a horizontal termination.
  - After every 30 feet of continuous vent.
  - The first drain should be as close to the appliance flue collar as possible. Some appliances have internal drains or drains built into their vent adapter.
  - Avoid installing drains outdoors in cold climates. When transitioning from horizontal to vertical up the outside of a building, use an elbow instead of a boot tee. Locate a drain fitting inside the building as close to the elbow as possible. This will prevent freeze ups.
- Always connect the drain to a sanitary sewer or other approved disposal.
- Install a trap in the drain.
- Use the Drain Hose Kit – It connects easily and can also be used as a drain trap when looped. It is available in 5- and 10-foot lengths.

### 8. Provide Adequate Support.

- On horizontal runs support the vent system every 6 feet and after each elbow or offset. Adjustable sections should be supported as well.
- On vertical installations support is required at minimum after every 30 feet of vertical rise, at each floor penetration, and at the roof penetration. For large diameter systems (12 inch and larger), most installers find it easier to use more support brackets to support the system during installation.
- Support should be provided at the first section above a boot tee that is installed at the base of a vertical stack.
- To support long vertical runs inside a chase or chimney, use either guy wire supports or vertical supports. Guy wire supports work best for tight or inaccessible stacks, but require a set of guy wires for each support. Vertical supports are mounted directly to the inside wall of the chase or chimney.
- Heat-fab guy wire supports are necessary when the vent system extends above the roofline six feet or more.
- Use Heat-fab support brackets or strapping. Our support clamps can be used with threaded rod either singly (as a saddle) or in pairs.
- When using clamping-style supports, do not over-tighten to the point that the vent is damaged or deformed.
- Some installers prefer to hang perforated channel iron to form a trapeze and rest the vent on top of it.
- Consider the behavior of the appliance when planning your supports. Some appliances create pulsing vibrations in their vent systems. Avoid attaching the supports to structural components that may transmit vibrations to occupied spaces. Be sure the support fasteners (nuts, bolts, etc.) cannot vibrate loose.

### 9. Inspect Annually.

- During your annual HVAC equipment and system check, inspect the vent system. Make sure the system has not been damaged, the vent has not been punctured and the supports are solid.
- Look for the proper slope toward a drain. Make sure drains are not clogged or pinched off, and are in the proper place. Verify that all drain traps are properly primed.
- Inspect the termination and remove any accumulated debris.
- Properly installed and maintained, Selkirk Vent Systems will be trouble free for years.

### Your Check List

- You have read the Appliance Manufacturer's installation instructions.
- You have read Selkirk's installation manual.
- You properly applied the correct RTV sealant, if required.
- All vent system joints are tight and secure.
- The vent system is installed with flow arrows pointing away from the appliance.
- Proper slope has been maintained.
- You have made provisions for the system to drain – when necessary.
- The vent system is supported adequately.
- You have explained the vent system to the building maintenance personnel.

This document is designed as a summary of issues to be aware of when using Selkirk's Saf-T Vent systems. It is not intended to take the place of the complete installation manuals that should be reviewed and followed closely.

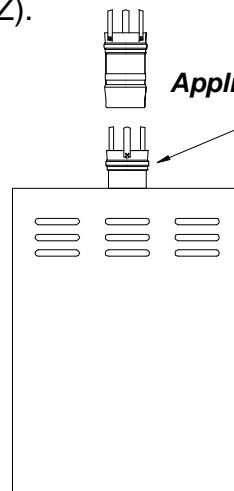
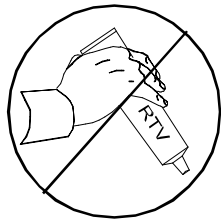
Further information, including complete installation manuals, is available by calling 800.772.0739. Or log onto our Internet site at: [www.heatfab.com](http://www.heatfab.com).

## Connecting Saf-T Vent® EZ Seal to Appliances and Other Saf-T Vent Products

***EZ Seal IS Compatible with Existing Heat-fab Products. Here's how:***

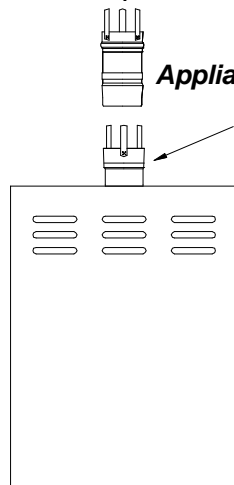
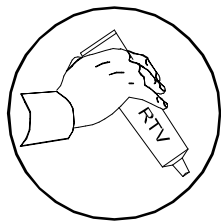
### 1. Connecting to an Appliance Flue Collar

- If the flue collar that comes with the appliance has Heat-fab's integral red seal, you may attach EZ Seal pipe and fittings directly to it. Make the joint as described in the EZ Seal installation instructions (Pub # PI-EZ).



***Appliance flue collar has Heat-fab's integral red seal.  
No sealant required.***

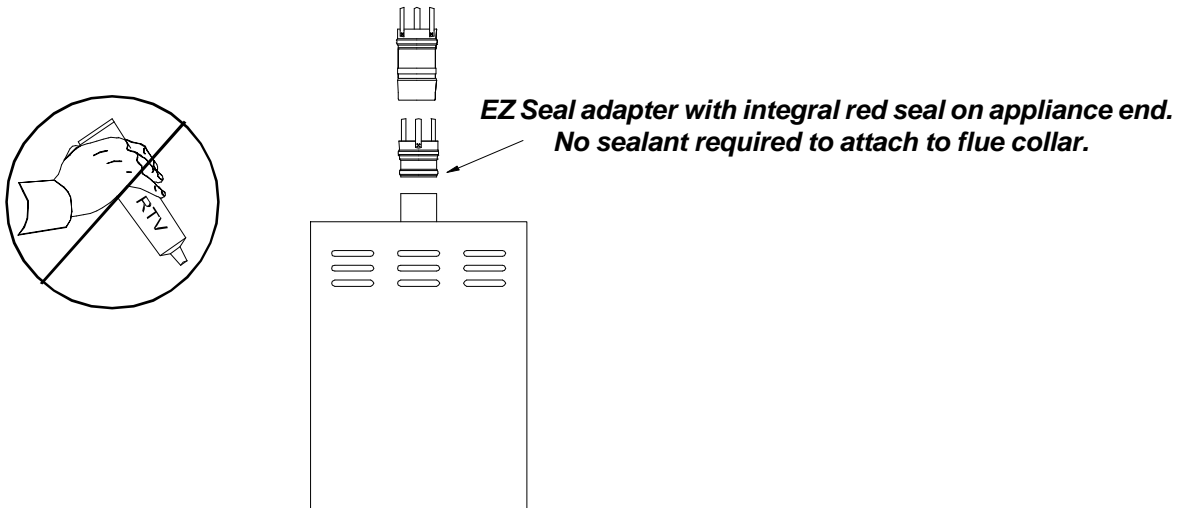
- If the flue collar has Heat-fab's female end (with the 3 tabs) but does not have the integral red seal, you will need to use an approved high-temperature RTV silicone sealant to make the joint between the flue collar and the first piece of EZ Seal. The rest of the system can be sealant-free if it is all EZ Seal.



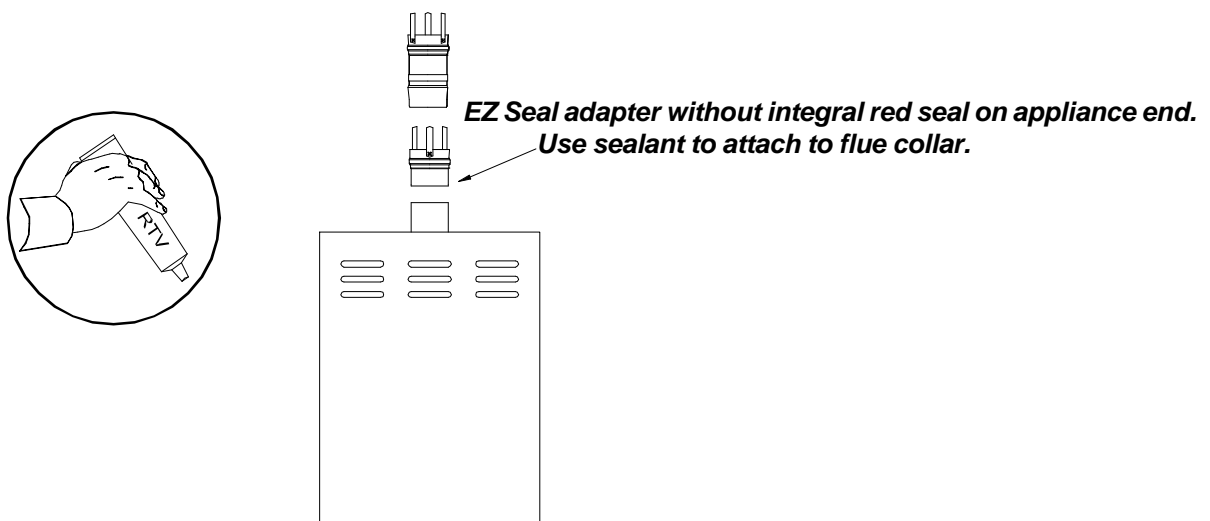
***Appliance flue collar has Heat-fab's female expand  
but no integral red seal.  
Sealant is required to attach to flue collar.***

## 2. Connecting an EZ Seal Appliance Adapter to the Appliance

- If the EZ Seal appliance adapter has been designed for a sealant-free connection to the appliance, it will have an integral red seal in the female end and in the end that attaches to the appliance.

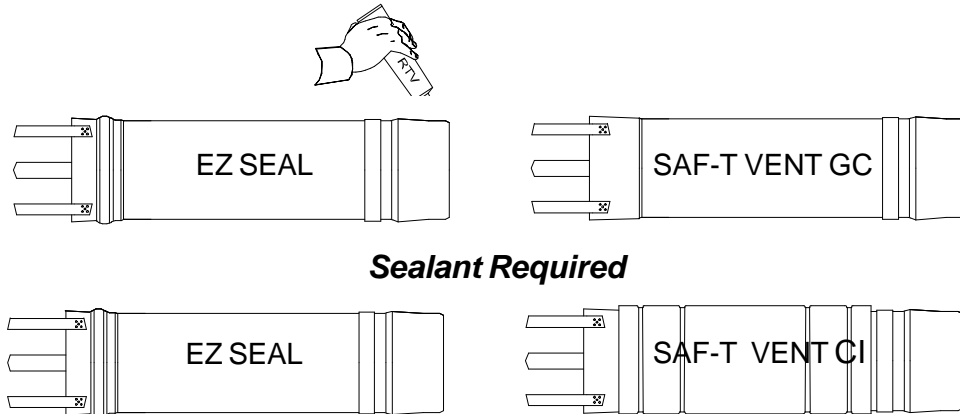


- If the integral red seal is only in the female end, you will need to use an approved high-temperature RTV silicone sealant to make the connection to the appliance. Follow the procedure recommended by the appliance manufacturer.



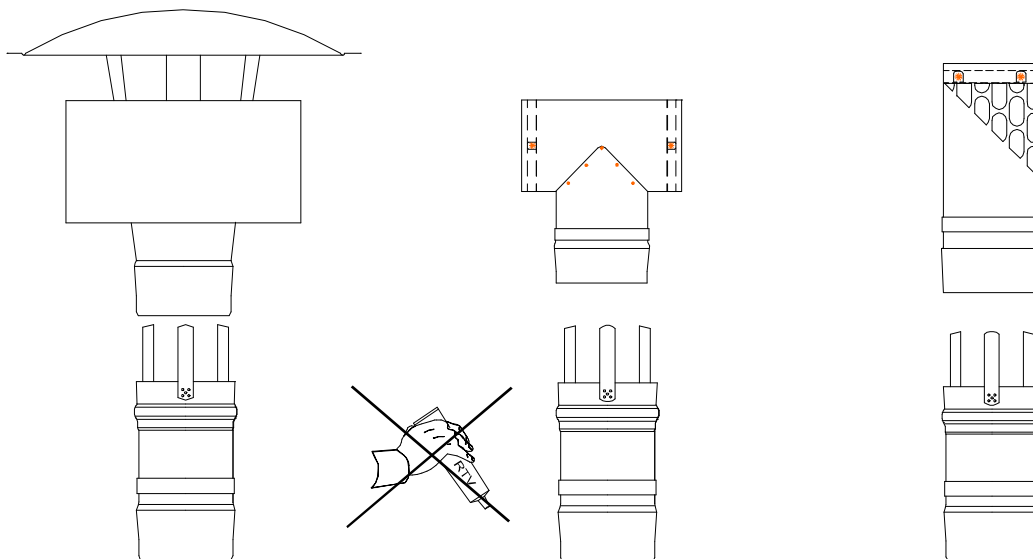
### 3. Connecting EZ Seal to Saf-T Vent GC (single-wall) or Saf-T Vent CI (double-wall)

- Saf-T Vent GC and Saf-T Vent CI lack the integral red seal. When you connect EZ Seal to them you will need to use an approved high-temperature RTV silicone sealant. Follow the procedure outlined in the GC or CI installation instructions (Pub # PI-VBH or PI-CIINS).



### 4. Attaching Saf-T Vent Terminations to EZ Seal

- Existing Saf-T Vent Terminations (rain cap, screen termination, elbow termination, tee termination, mitered termination, and others) can be used with the EZ Seal system. Simply insert the termination into the female end of the last section of EZ Seal, and then make the ring-and-tab connection as you normally would.

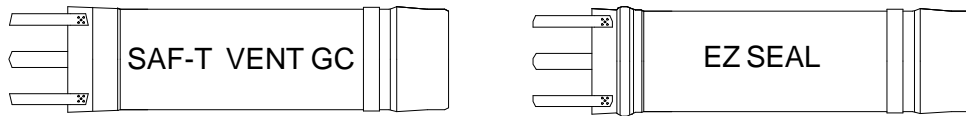


**Termination attaching to EZ Seal, NO sealant required.**

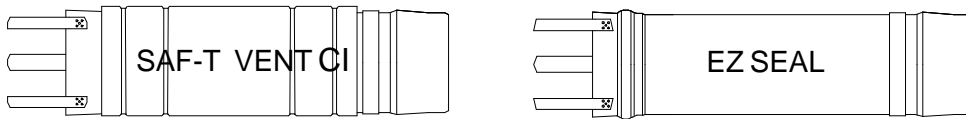


## 5. Connecting Saf-T Vent GC or Saf-T Vent CI to EZ Seal

- Saf-T Vent GC and Saf-T Vent CI sections and fittings may be attached to an EZ Seal system:
- If the male end (without tabs) of the GC or CI part was made with a butt-weld (a single layer of steel at the weld area), the part can be attached to an EZ Seal female end without using sealant.
- If the male end was made with an overlapped weld (two layers of steel at the weld area), the joint must be made using an approved high-temperature RTV silicone sealant. Follow the procedure outlined in the GC or CI installation instructions (Pub # PI-VBH or PI-CIINS).

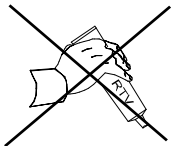
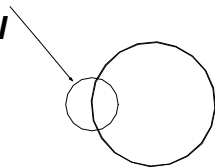


**Use of Sealant Depends on the Type of Weld**



**End View of a Saf-T Vent GC or CI Section or Fitting**

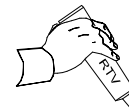
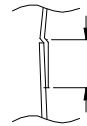
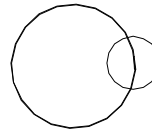
**Butt Weld  
Single Layer of Steel**



**No Sealant required**



**Overlap Weld  
Two Layers of Steel**



**Sealant required**

# Technical and Dimensional Data

---

# Saf-T Vent®

## Appliance Adapters

---

### AL 29-4C® Stainless Steel Special Gas Vent

Heatfab Saf-T Vent Adapters are compatible with all Saf-T Vent Brands

Appliance Listing by Make and Model starts on page 23



130 Industrial Boulevard  
Turners Falls, MA 01376

Call (800) 772-0739  
Fax (413) 863-4803

[www.heat-fab.com](http://www.heat-fab.com)

© Copyright 2008 Heatfab Division, Selkirk Corp.  
Saf-T Vent is a registered trademark of Selkirk Corp.  
AL29-4C is a registered trademark of ATI Properties, Inc.

Pub.#11701-111208

# Saf-T Vent<sup>®</sup> Appliance Adapters

---

<b><u>ADAPTER</u></b>	<b><u>PAGE</u></b>
<b>3" ADAPTERS</b>	<b>3</b>
<b>4" ADAPTERS</b>	<b>7</b>
<b>OVER THE COLLAR ADAPTERS</b>	<b>10</b>
<b>INTO THE FLUE COLLAR ADAPTERS</b>	<b>10</b>
<b>UNIVERSAL BOILER ADAPTERS</b>	<b>11</b>
<b>FLANGE TYPE ADAPTERS</b>	<b>12</b>
<b>AERCO ADAPTERS</b>	<b>13</b>
<b>BUDERUS ADAPTERS</b>	<b>15</b>
<b>DeDIETRICH</b>	<b>17</b>
<b>FULTON MUFFLER ADAPTERS</b>	<b>17</b>
<b>HYDROTHERM ADAPTERS</b>	<b>17</b>
<b>LAARS ADAPTERS</b>	<b>16</b>
<b>LOCHINVAR ADAPTERS</b>	<b>16</b>
<b>NORITZ ADAPTERS</b>	<b>18</b>
<b>P-K MACH ADAPTERS</b>	<b>18</b>
<b>RAYPAK ADAPTERS</b>	<b>20</b>
<b>RINNAI ADAPTERS</b>	<b>21</b>
<b>APPLIANCES, LISTED BY MAKE AND MODEL W/APPROPRIATE ADAPTER</b>	<b>23</b>

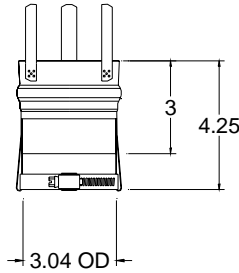
Heatfab, Selkirk Corp

---

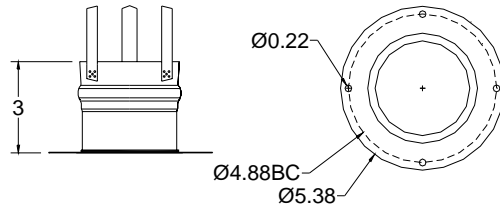
130 Industrial Boulevard • Turners Falls, MA 01376  
800 772 0739 • Fax 413 863 4803 • [www.heat-fab.com](http://www.heat-fab.com)

# Saf-T Vent<sup>®</sup> Appliance Adapters

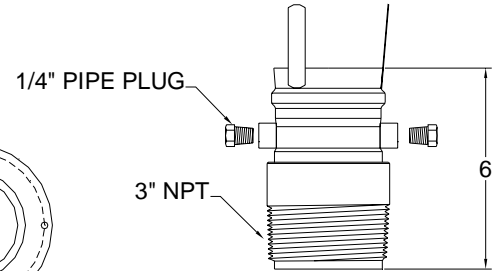
**3" Adapters** —Adapters for appliances with 3" flue collars.



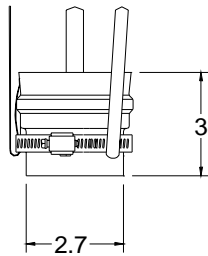
**9301AMTK**



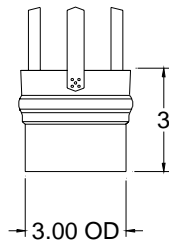
**9301CRWN**



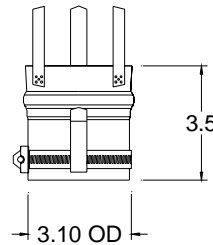
**9301FUL**



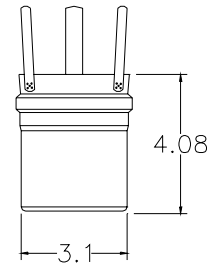
**9301ICP**



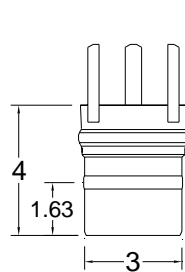
**9301THI**



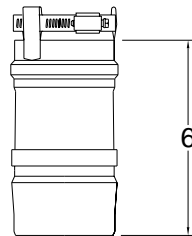
**9301UTI**



**9301VSMN**



**Burnham  
(Gasketed) to  
Saf-T Vent EZ**

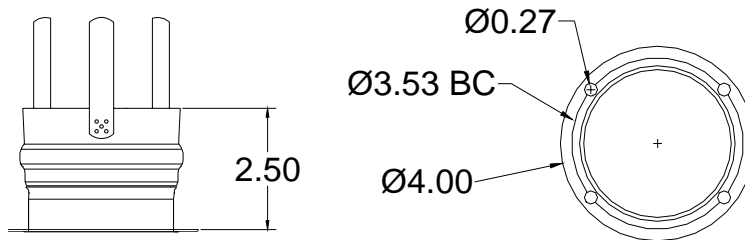
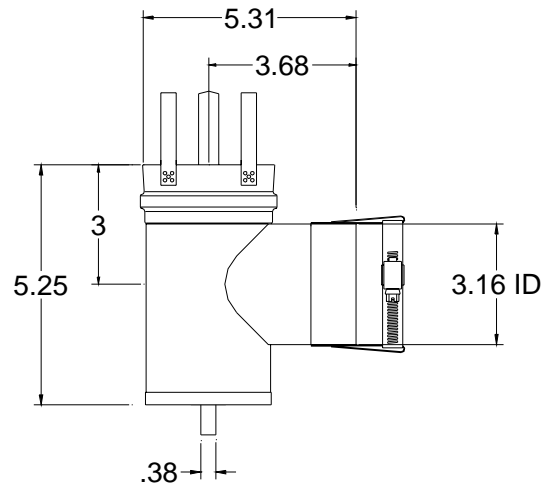
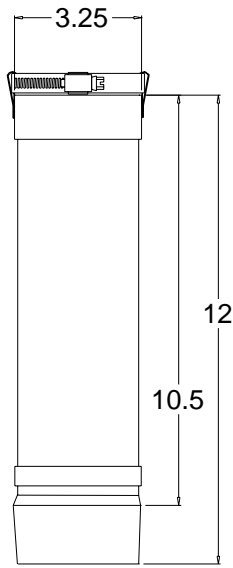
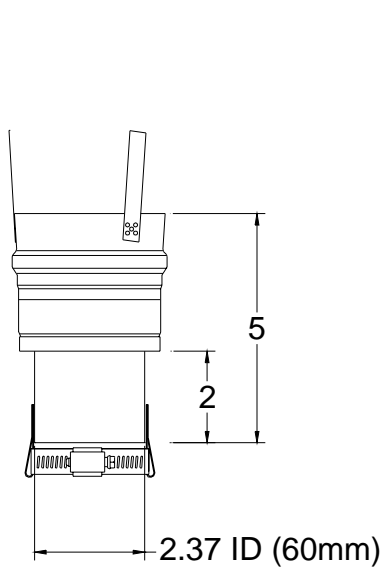
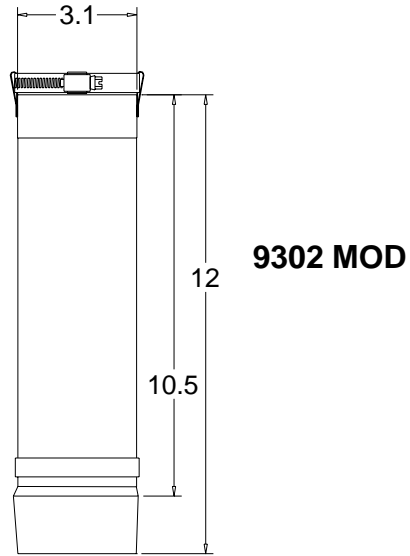
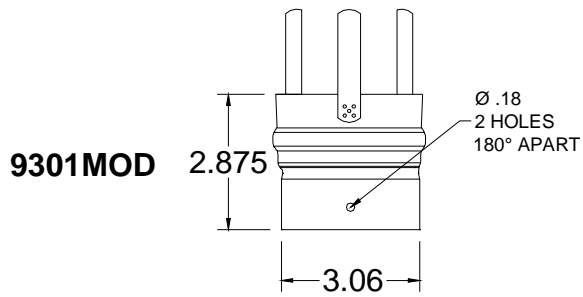


**Saf-T Vent EZ to  
Burnham  
(Gasketed)**

**9353BUREZ**

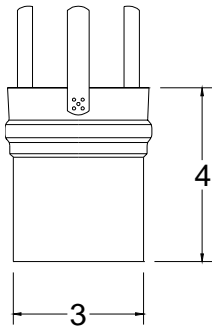
# Saf-T Vent<sup>®</sup> Appliance Adapters

**3" Adapters** —Adapters for appliances with 3" flue collars.

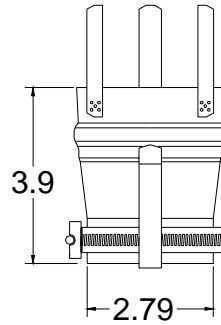


# Saf-T Vent<sup>®</sup> Appliance Adapters

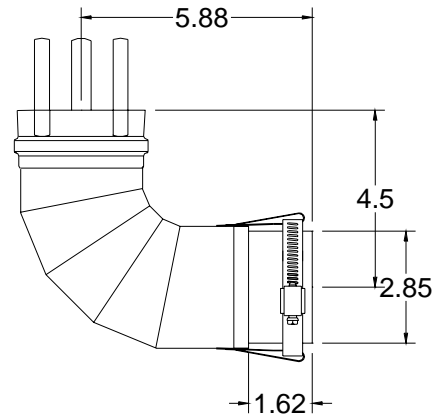
**3" Adapters** — Adapter for appliances with 3" flue collars.



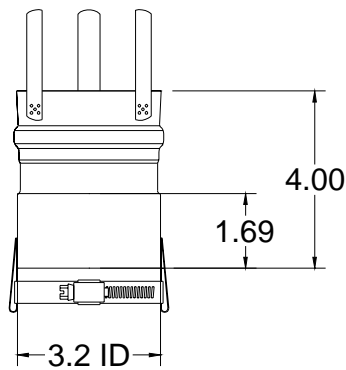
**9301BSH**



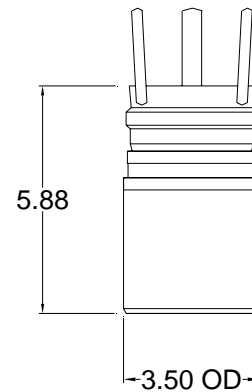
**9301CPVC**



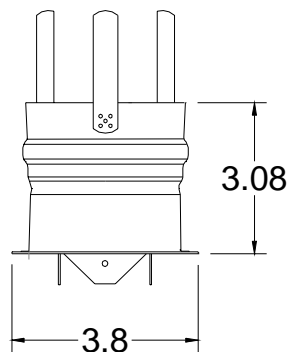
**9314SMI**



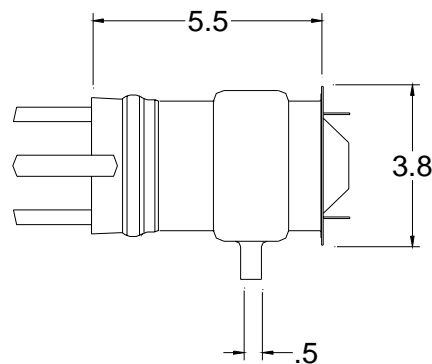
**9301DEL**



**9301PVC**



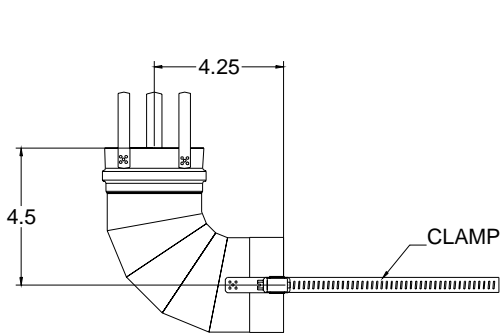
**9SF440696**



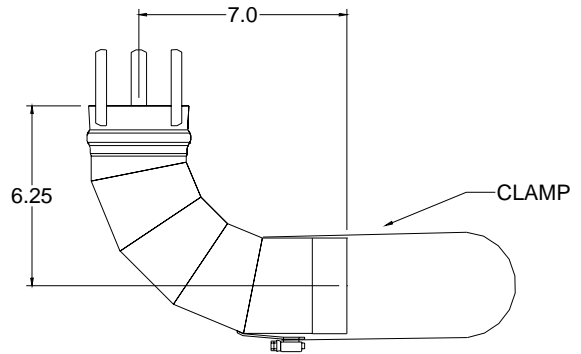
**9SF440697**

# Saf-T Vent<sup>®</sup> Appliance Adapters

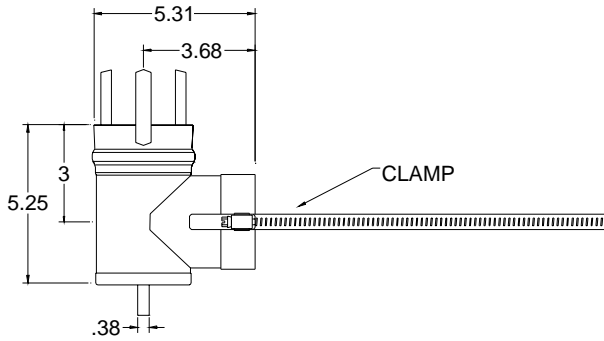
## 3" Weil-McLain Adapters — Adapters for Weil-McLain appliances.



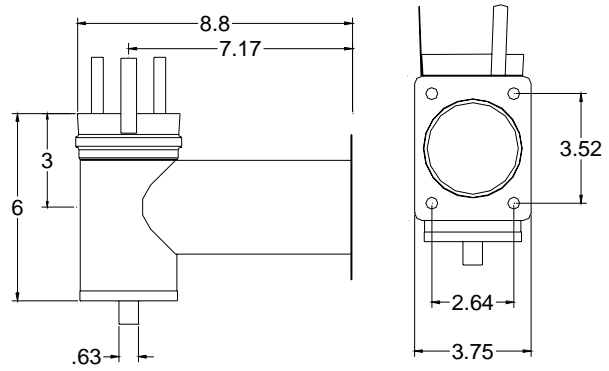
**93WMSTLH**



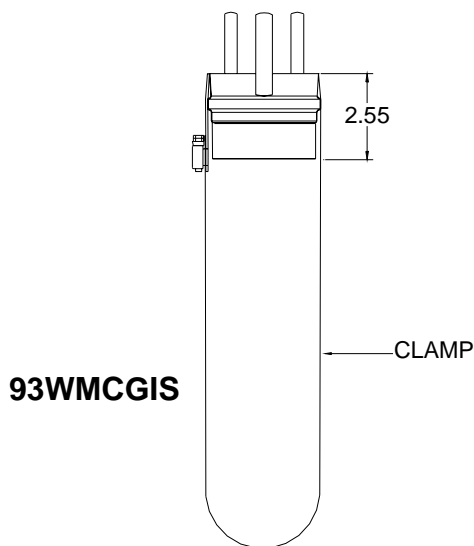
**93WMSTLV**



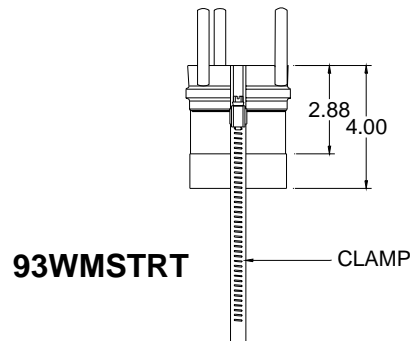
**93WMSTEE**



**93WMSTXL**



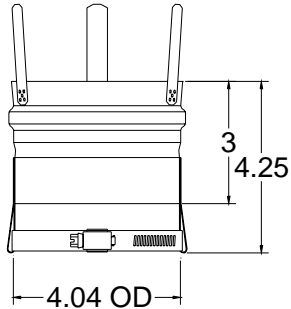
**93WMCGIS**



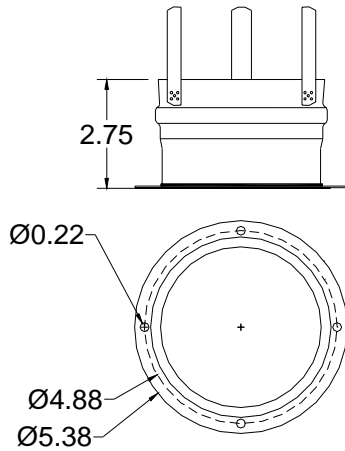
**93WMSTRT**

# Saf-T Vent<sup>®</sup> Appliance Adapters

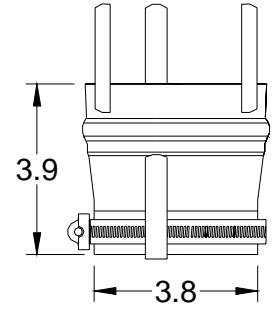
**4" Adapters** —Adapters for appliances with 4" flue collars.



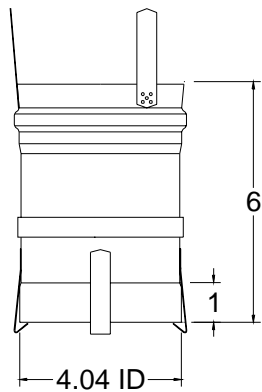
**9401AMTK**



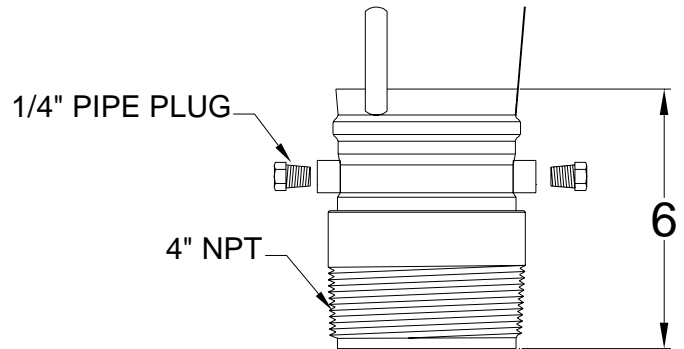
**9401CRWN**



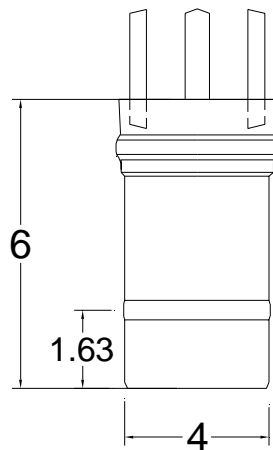
**9401CPVC**



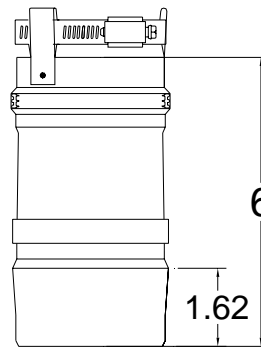
**9401DUN**



**9401FUL**



**Burnham  
(Gasketed) to  
Saf-T Vent EZ**



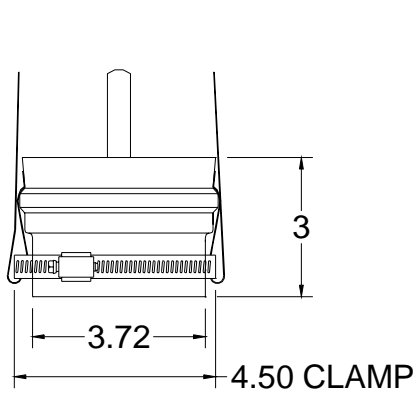
**Saf-T Vent EZ to  
Burnham  
(Gasketed)**

**9454BUREZ**

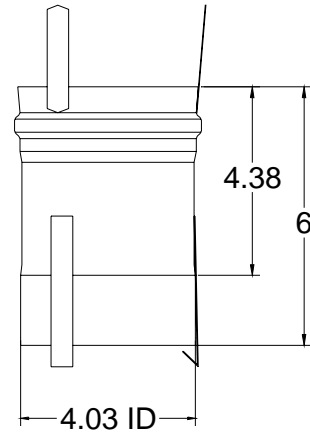


# Saf-T Vent<sup>®</sup> Appliance Adapters

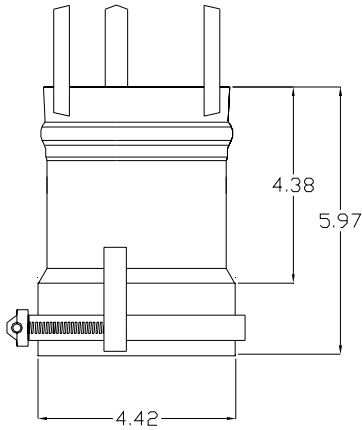
**4" Adapters** —Adapters for appliances with 4" flue collars.



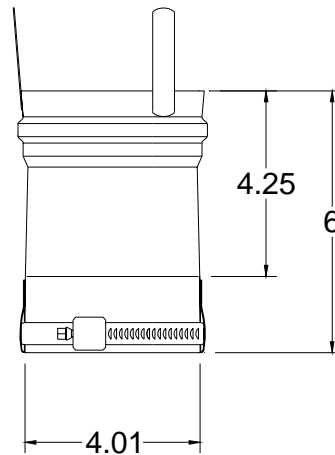
**9401ICP**



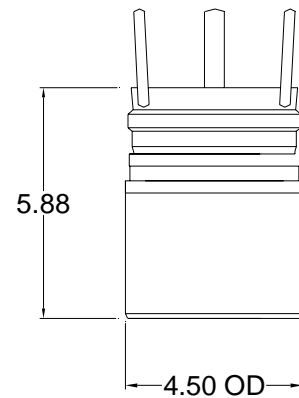
**9401MES**



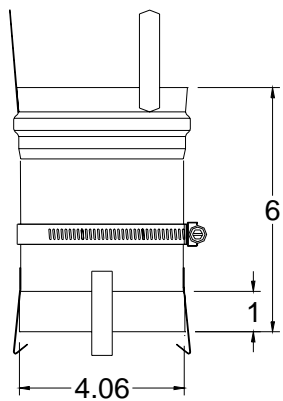
**9401MGTV**



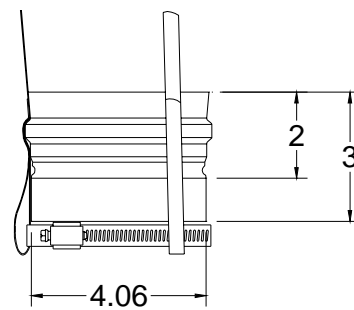
**9401JVI**



**9401PVC**



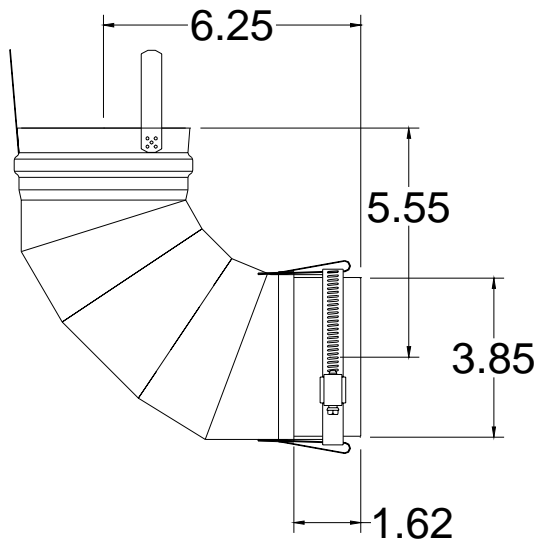
**9401PVI**



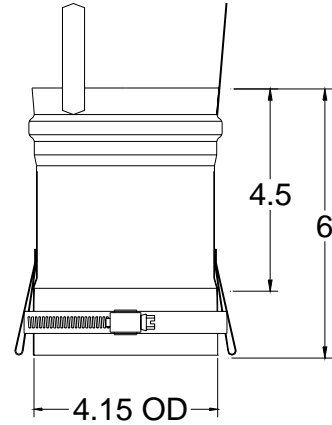
**9401RHM**

# Saf-T Vent<sup>®</sup> Appliance Adapters

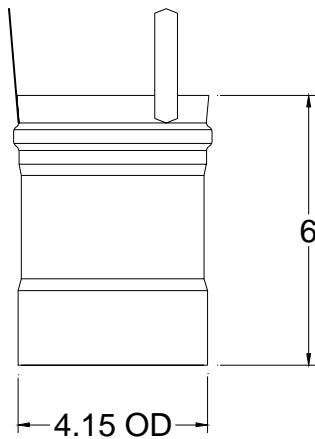
**4" Adapters** —Adapters for appliances with 4" flue collars.



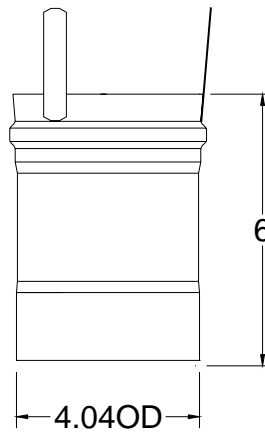
**9414SMI**



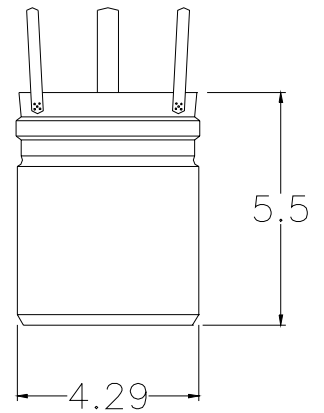
**9401UTI**



**9401SRI**



**9401VAIL**

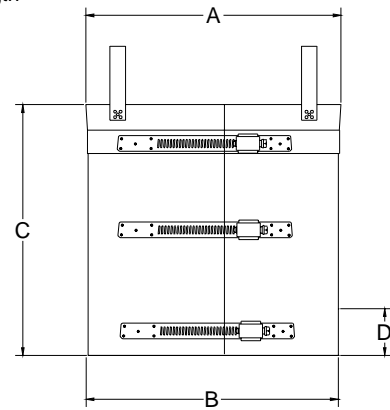


**9401VSMN**

# Saf-T Vent® Appliance Adapters

**Over-the-Flue-Collar Appliance Adapter** — A generic flue collar adapter used on appliances with vent outlets that are slightly out-of-round or of irregular diameters. The split-seam design allows the adapter to clamp around irregular or inconsistent flue collars while still providing a secure connection to Saf-T Vent systems.

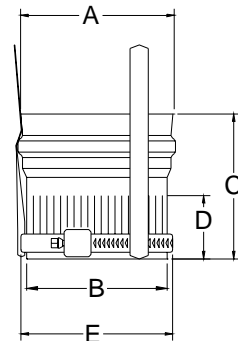
Part Number	DIM - A Nominal Diameter	DIM - B Minimum Flue Collar Diameter	DIM - C Installed Length	DIM - D Minimum Recommended Interface Length
5301BOI	3	2.85	8	1.5
5401BOI	4	3.75	8	1.5
5501BOI	5	4.75	8	1.5
5601BOI	6	5.75	8	1.5
5701BOI	7	6.75	8	1.5
5801BOI	8	7.75	8	1.5
5901BOI	9	8.75	8	1.5
51001BOI	10	9.75	8	1.5
51201BOI	12	11.75	8	1.5
51401BOI	14	13.75	8	1.5
51601BOI	16	15.75	8	1.5



**Over-the-Flue-Collar  
Appliance Adapter**

**Into-the-Flue-Collar Appliance Adapter** — A generic flue collar adapter used on appliances with vent outlets with a nominal inside diameter. The crimped portion of this adapter is inserted into the flue collar while the hose clamp is tightened around the outside to create a mechanical joint.

Part Number	DIM - A Nominal Diameter	DIM - B Male End Crimp O.D.	DIM - C Overall Length	DIM - D Crimp Length	DIM - E Maximum Clamp Diameter
9363	3	2.9	4	0.75	3.5
9464	4	3.9	4	1.75	4.5
9565	5	4.9	4	1.75	5.5
9666	6	5.9	4	1.75	6.5
9767	7	6.9	4	1.75	7.5
9868	8	7.9	4	1.75	8.5
910610	10	9.9	4	1.75	10.5

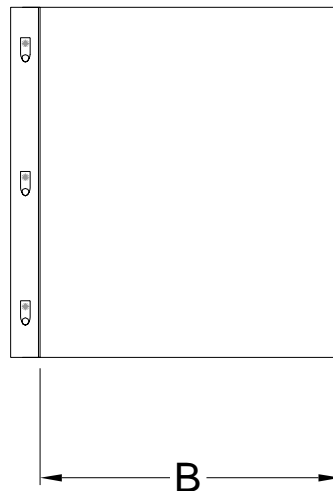
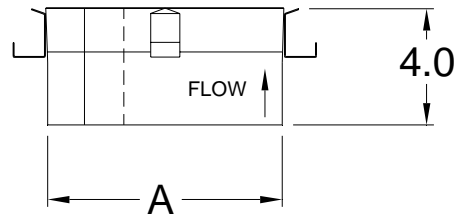


**Into-the-Flue-Collar  
Appliance Adapter**

# Saf-T Vent<sup>®</sup> Appliance Adapters

**Universal Boiler Adapter**— Used horizontally or vertically to adapt Saf-T Vent CI Plus to nominal diameter flue collars, it can also adapt to boiler collars that are slightly out of round. The adapter comes with a joint locking strap, boiler collar clamp and a 8" coupler band.

Part Number	DIM - A Nominal Inner Diameter	DIM - B Nominal Diameter Outer Jacket
CCA05ADUV	5	7.3
CCA06ADUV	6	8.3
CCA07ADUV	7	9.3
CCA08ADUV	8	10.3
CCA09ADUV	9	11.3
CCA10ADUV	10	12.3
CCA12ADUV	12	14.3
CCA14ADUV	14	16.3
CCA16ADUV	16	18.3
CCA18ADUV	18	20.3
CCA20ADUV	20	22.3
CCA22ADUV	22	24.3
CCA24ADUV	24	26.3
CCA26ADUV	26	28.3
CCA28ADUV	28	30.3
CCA30ADUV	30	32.3
CCA32ADUV	32	34.3

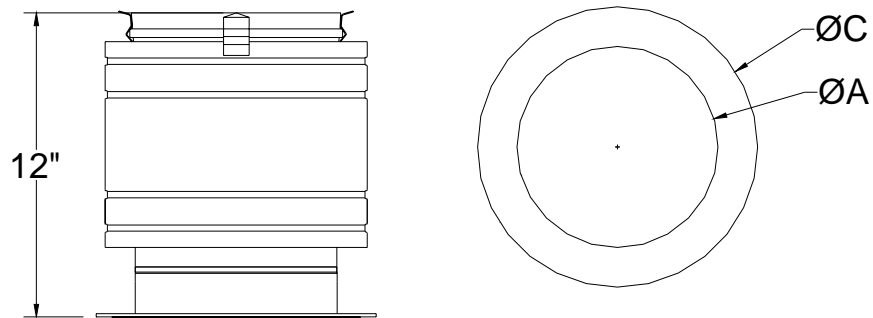


# Saf-T Vent<sup>®</sup> Appliance Adapters

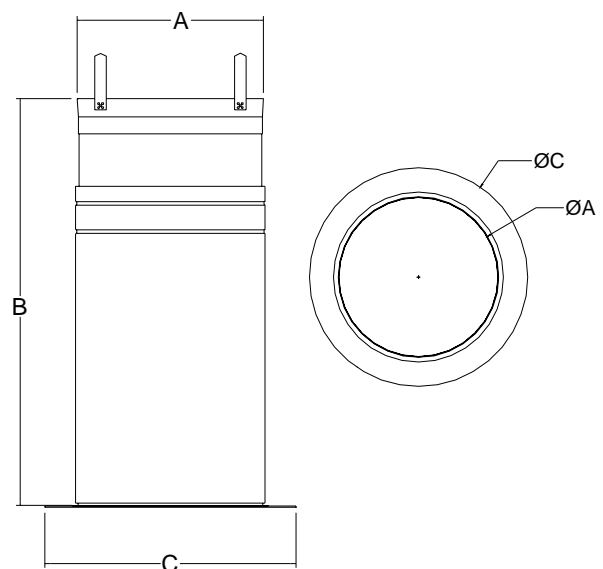
**Flange-Type Appliance Adapter** — A generic adapter used on appliances with a vent outlet that includes a bolted-on flange connection. Bolt holes and hardware are provided by the installer. Custom bolt hole patterns can be provided for an additional charge. Each Saf-T Vent CI Plus appliance adapter comes standard with a 8" long and a 5" long Saf-T Vent CI Coupler, the Saf-T Vent CI appliance adapter comes standard with a 12" long Saf-T Vent CI Coupler.

Part Number	DIM - A Nominal Diameter	DIM - B Installed Length	DIM - C Flange Diameter
CCA05ADFL	5	12	8
CCA06ADFL	6	12	9
CCA07ADFL	7	12	10
CCA08ADFL	8	12	11
CCA09ADFL	9	12	12
CCA10ADFL	10	12	13
CCA12ADFL	12	12	15
CCA14ADFL	14	12	17
CCA16ADFL	16	12	19

Note: Bolt Holes are to be field installed.



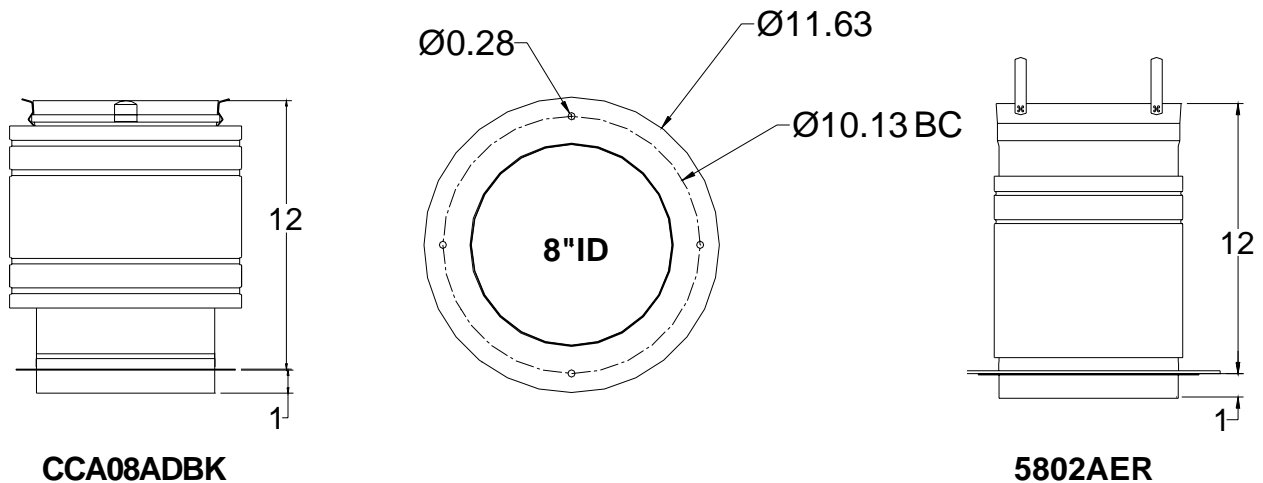
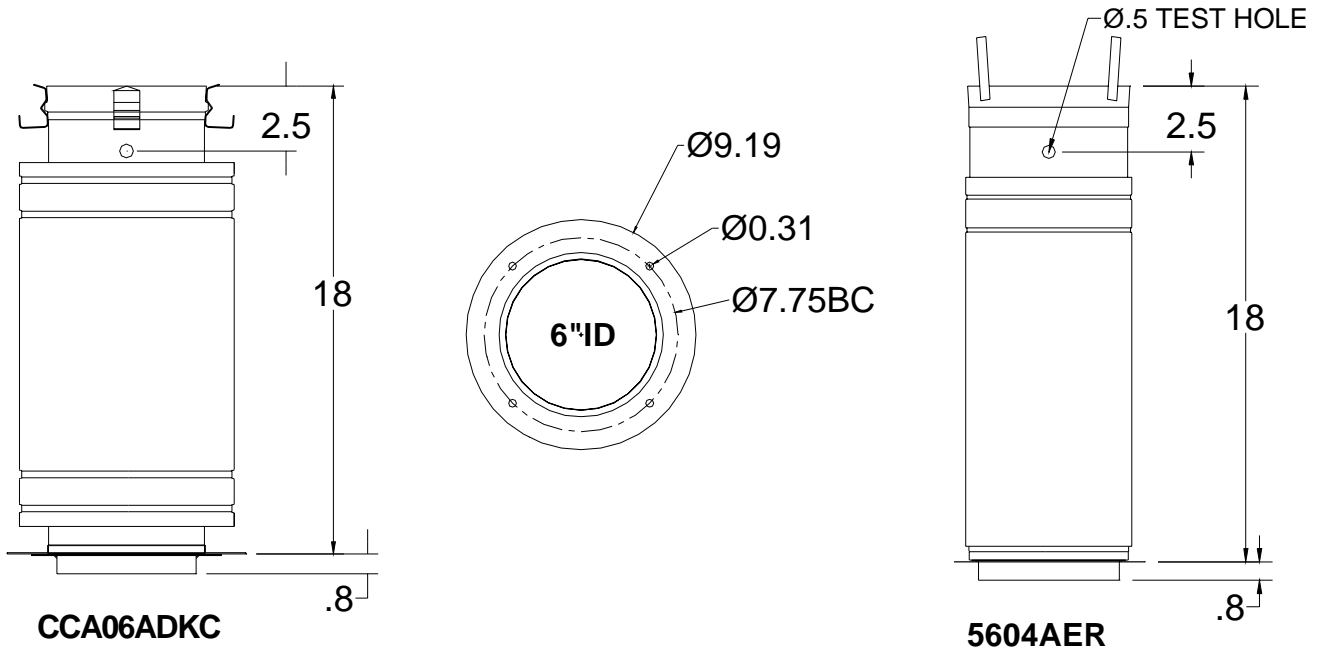
Part Number	DIM - A Nominal Diameter	DIM - B Installed Length	DIM - C Flange Diameter
5804BOI	8	18	11
5904BOI	9	18	12
51004BOI	10	18	13
51204BOI	12	18	15
51404BOI	14	18	17
51604BOI	16	18	19



# Saf-T Vent<sup>®</sup> Appliance Adapters

## Aerco Adapter — Adapters for Aerco appliances.

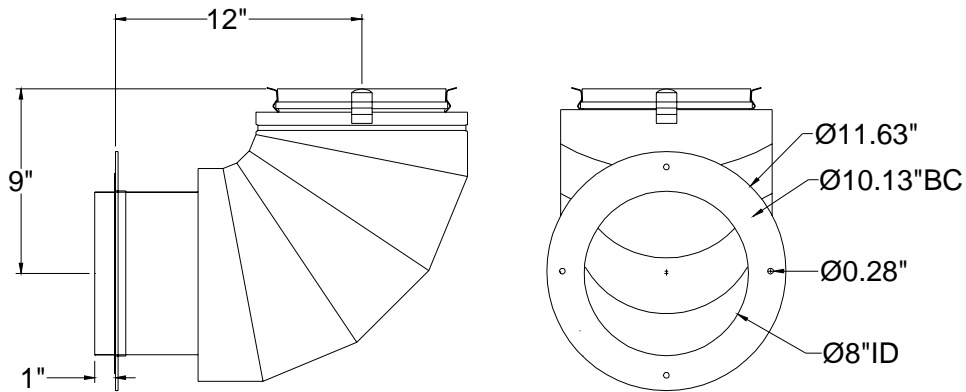
Part Number	Nominal Diameter	Installed Length	Flange Diameter	Bolt Centers
5604AER	6	18	9.19	7.75
5802AER	8	12	11.63	10.13
CCA06ADKC	6	18	9.19	7.75
CCA08ADBK	8	12	11.63	10.13



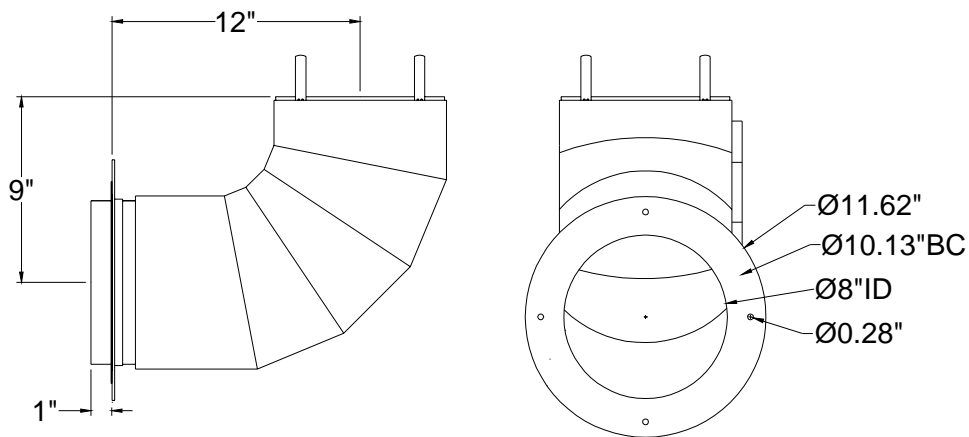
# Saf-T Vent<sup>®</sup> Appliance Adapters

**Aerco Elbow Adapter** —90° elbow adapters for Aerco appliances. Note: To avoid water system supply and return piping, this fitting must be rotated from the vertical position.

Part Number	Nominal Diameter	Installed Length	Flange Diameter	Bolt Centers
5814AER	8	12	11.63	10.13
CCA08ADBK90	8	12	11.63	10.13



**CCA08ADBK90**

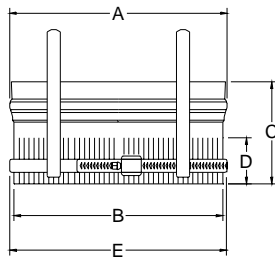


**5814AER**

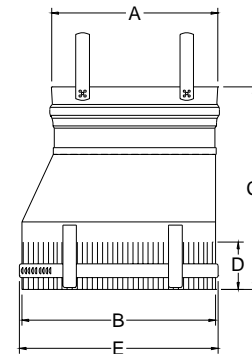
# Saf-T Vent<sup>®</sup> Appliance Adapters

**Buderus Appliance Adapter** — This adapter is specially designed to connect directly into the vent outlet of Buderus SB Series boilers. The hose clamp is tightened around the outside of the flue collar to create a mechanical joint.

Part Number	DIM - A Nominal Diameter	DIM - B Male End Crimp O.D.	DIM - C Overall Length	DIM - D Crimp Length	DIM - E Maximum Clamp Diameter
9601SB*	6	7.18	7.5	1.75	7.5
9801SB	8	7.9	4.0	1.75	8.5
91001SB	10	9.9	4.0	1.75	10.5
91201SB	12	11.9	4.0	1.75	12.5
91401SB	14	13.9	4.0	1.75	14.5

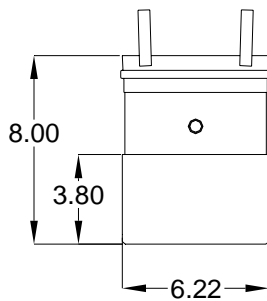


**Buderus SB Boiler Adapter**

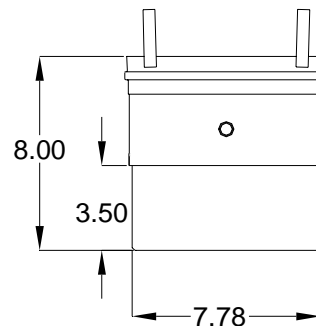


**\*9601SB**

This adapter is specially designed to connect directly into the vent outlet of Buderus GB Series, 9\_01GB has Saf-T Vent EZ seal ends, the 9\_GBCPVC is for connecting to CPVC venting. Note: Consult local building code when venting with CPVC.

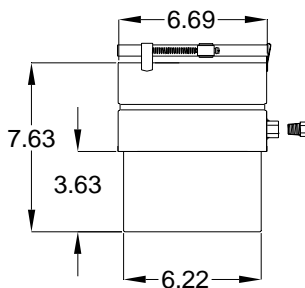


**9601GB**

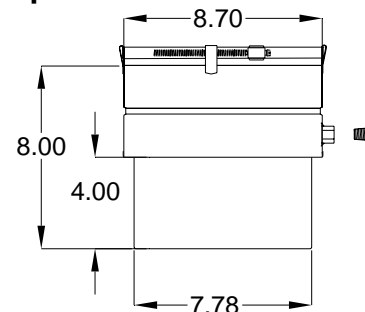


**9801GB**

**Buderus GB Boiler Adapters**



**96GBCPVC**



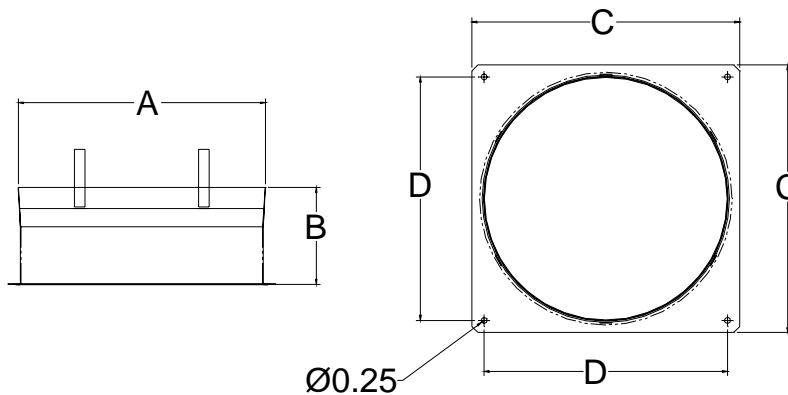
**98GBCPVC**



# Saf-T Vent<sup>®</sup> Appliance Adapters

**Laars MightyMax Adapter** — This adapter is specially designed to connect directly to the vent outlet of a Laars MightyMax Boiler. This part is supplied by Laars Heating Systems with MightyMax Boilers that require AL 29-4C<sup>®</sup> venting.

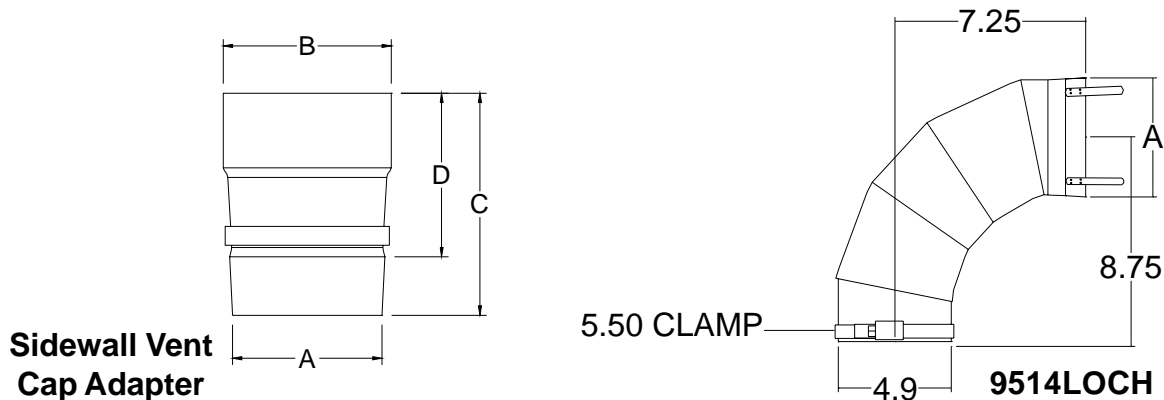
Part Number	DIM - A Nominal Diameter	DIM - B Installed Length	DIM - C Plate Size	DIM - D Bolt Centers
9601LARS	6	4	7	6
9701LARS	7	4	8	7
9801LARS	8	4	9	8
9901LARS	9	4	10	9
91001LARS	10	4	11	10



**Laars Adapter**

**Lochinvar Adapter** —Adapters for Lochinvar appliances.

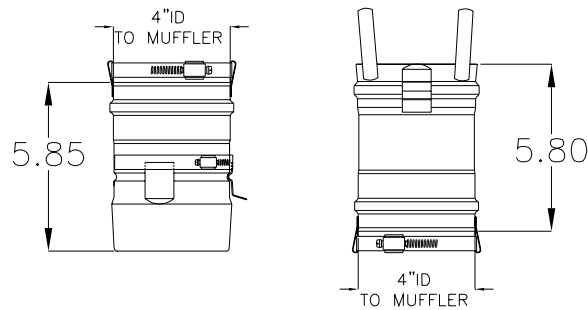
Part Number	DIM - A Nominal Diameter	DIM - B Diameter	DIM - C Overall Length	DIM - D Installed Length	Use
9454LOCH	4	4.5	6	4.38	Sidewall Vent Cap Adapter
9555LOCH	5	5.5	6	4.38	Sidewall Vent Cap Adapter
9514LOCH	5				Appliance Adapter



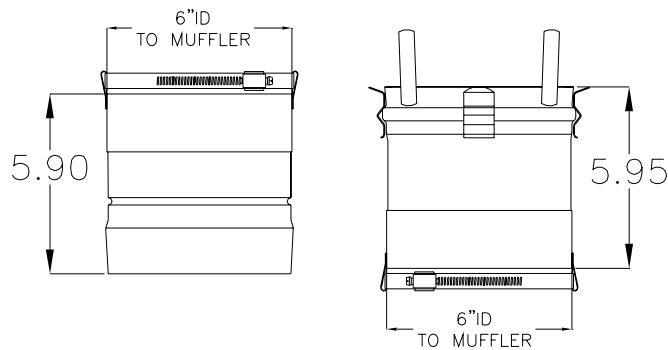
**Sidewall Vent  
Cap Adapter**

# Saf-T Vent<sup>®</sup> Appliance Adapters

**Fulton Muffler Adapters** — These adapters make the connection between Saf-T Vent products and Fulton Exhaust Mufflers. The 9401FMA is to connect to the 4" muffler and the 9601FMA is for the 6" muffler, both are made to connect to either single wall EZ Seal or double wall CI Plus.

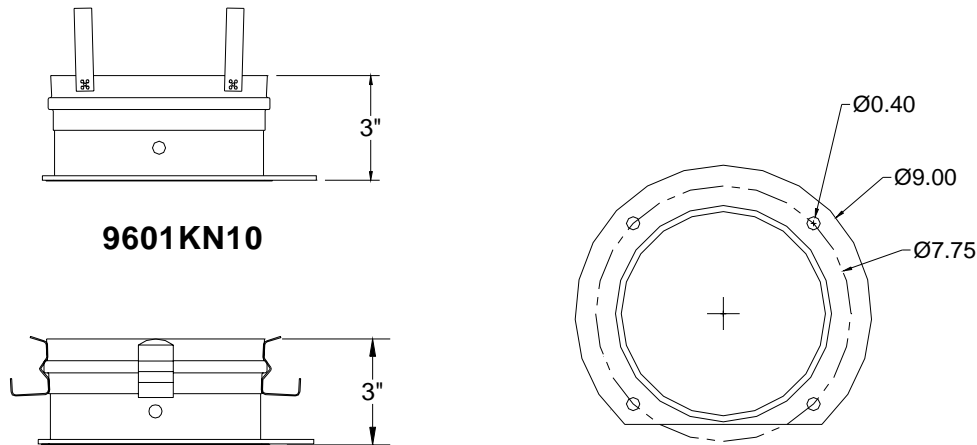


**9401FMA**



**9601FMA**

**Hydrotherm Adapter** — This adapter is specially designed to connect directly to the vent outlet of the Hydrotherm KN-10, the 9601K10 comes installed on the appliance.

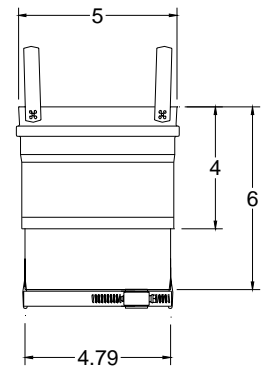


**9601KN10**

**CCA06ADKN**

# Saf-T Vent<sup>®</sup> Appliance Adapters

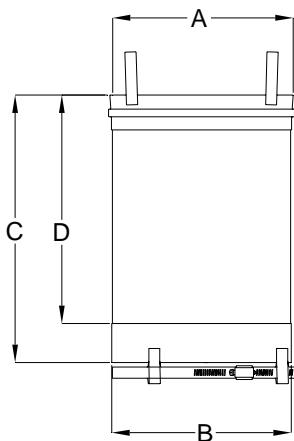
**Noritz Adapter** — This adapter makes the connection between Saf-T Vent products and Noritz water heaters that require 5" diameter vent.



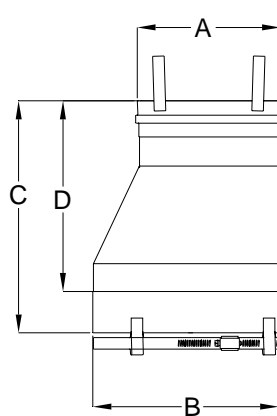
**9501NOR**

**Patterson-Kelley Modu-Fire Adapter** — These adapters are specially designed to connect directly to the vent outlet of Patterson Kelley Modu-Fire Boilers, MFD Series (Forced Draft). Consult Patterson-Kelley installation instructions on the use of reducing adapters.

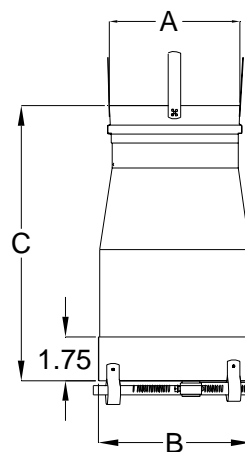
Part Number	DIM - A Nominal Diameter	DIM - B Diameter	DIM - C Overall Length	DIM - D Installed Length
9801PK08	8	8.06	12	10.25
9801PK06	6	8.06	10	8.25
965PKMODU	5	6.1	11	9.25
964PKMODU	4	6.1	11	9.25
9801PK06UV	6.08	8.06	10	8.25



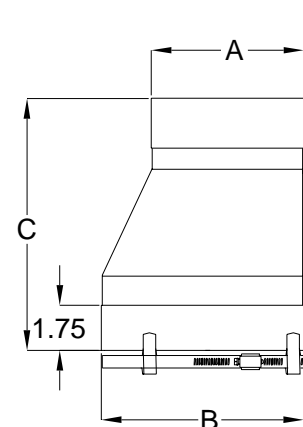
**9801PK08**



**9801PK06**



**96\_PKMODU**



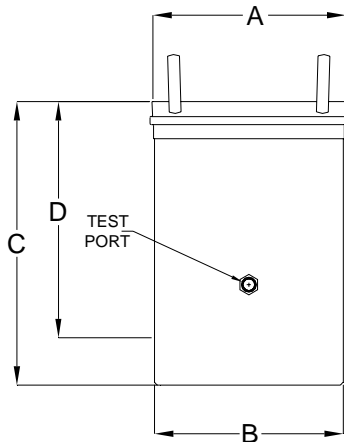
**9801PK06UV**

# Saf-T Vent® Appliance Adapters

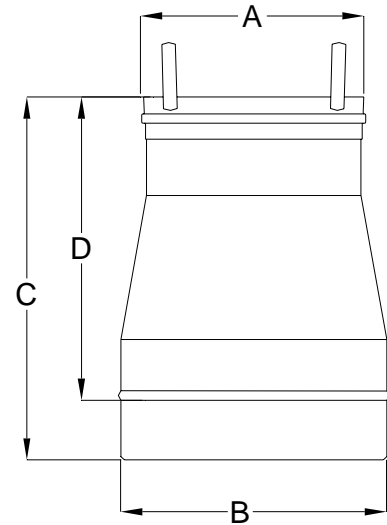
**P-K Mach Adapter** — These adapters are specially designed to connect directly to the vent outlet of P-K Mach Boilers

Note: Not all adapters are equipped with a test port.

Part Number	DIM - A Nominal Diameter	DIM - B Overall Diameter	DIM - C Installed Length	DIM - D Length
9401MACH	4	3.93	11	9
9501MACH	5	5.14	7	5
9601MACH	6	FACTORY INSTALLED		
9801MACH	8	7.9	12	10
91001MACH	10	9.8	9	7
91002MACH	10	10	9	7
91001PK06	6	9.8	18	16
91002PK06	6	10	18	16
91001PK08	8	9.8	13	11
91002PK08	8	10	13	11



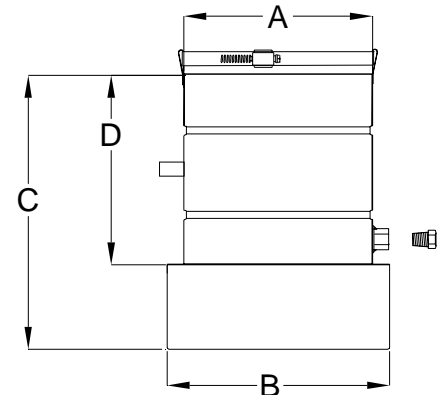
**9\_01MACH & 91002MACH**



**9\_01PK\_ & 9\_02PK**

**P-K Mach Adapter** — These adapters are specially designed to connect directly to the vent outlet of P-K Mach Boilers and adapt to CPVC venting. Note: Consult local building code when venting with CPVC

Part Number	DIM - A Nominal Diameter	DIM - B Diameter	DIM - C Overall Length	DIM - D Installed Length
9401PKCPVC	4.6	3.9	7	4
9501PKCPVC	6.7	5.14	7	4
9601PKCPVC	6.7	7.9	10	7
9801PKCPVC	8.7	7.9	10	7



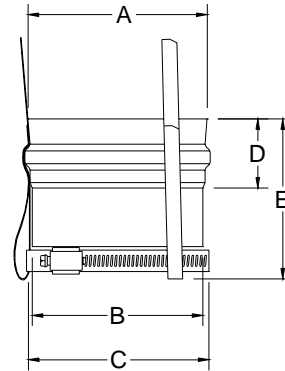
**9\_01PKCPVC**

# Saf-T Vent<sup>®</sup> Appliance Adapters

**Raypak Boiler Adapter** — This adapter is specially designed to connect directly into the vent outlet of Raypak's ADB or High Delta boilers. The hose clamp is tightened around the outside of the flue collar to create a mechanical joint.

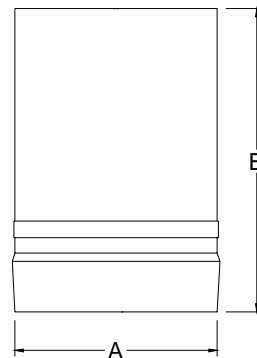
Part Number	DIM - A Nominal Diameter	DIM - B Flue Collar I.D.	DIM - C Hose Clamp Diameter	DIM - D Installed Length	DIM - E Overall Length
9401RYPK	4	4	4.5	1.50	3.75
9501RYPK	5	5	5.5	1.50	3.75
9601RYPK	6	6	6.5	1.50	3.75
9801RYPK	8	8	8.5	1.50	3.75
9901RYPK	9	9	9.5	1.50	3.75
91001RYPK	10	10	10.5	1.50	3.75
91201RYPK	12	12	12.5	1.50	3.75
91401RYPK	14	14	14.5	1.50	3.75
91601RYPK	16	16	16.5	1.50	3.75

**Raypak Boiler Adapter**



**Raypak Vent Cap Adapter** — This adapter makes the connection between Saf-T Vent products and Raypak's Flue Exhaust Vent Cap.

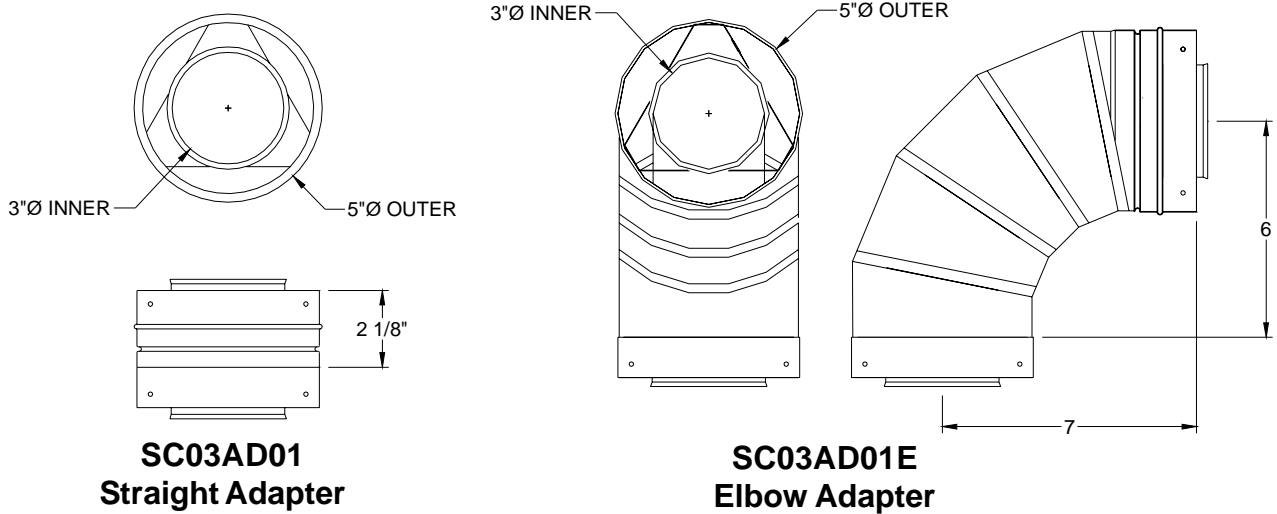
Part Number	DIM - A Nominal Diameter	DIM - B Overall Length
9490RYPK	4	9
9590RYPK	5	9
9690RYPK	6	9
9890RYPK	8	9
9990RYPK	9	9
91090RYPK	10	9
91290RYPK	12	9
91490RYPK	14	9
91690RYPK	16	9



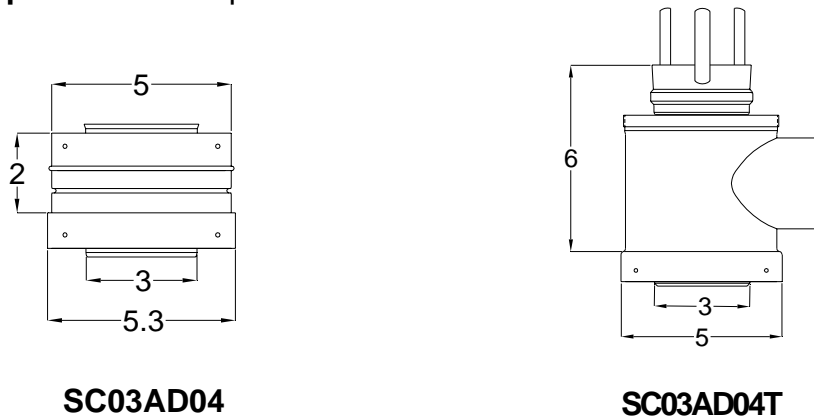
**Raypak Vent Cap Adapter**

# Saf-T Vent<sup>®</sup> Appliance Adapters

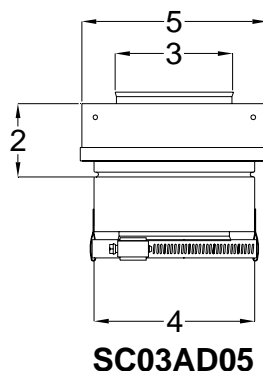
**Rinnai Appliance Adapters** — The straight adapter, SC03AD01, or elbow adapter, SC3AD01E, is specially designed to connect directly into the vent outlet of the Rinnai Continuum model V2532.



**DeDietrich Adapter** — SC Adapter for DTG FF



**SC Adapter** — Paloma PH-25RDVS, Rheem RTG53DV, RTG66DV, Richmond RMTG-53DV, RMTG-66DV, Rudd RUTG-53dv, RUTG-66DV.



# Saf-T Vent<sup>®</sup> Appliance Adapters

---

## Appliance Makes and Models:

### General Notes:

The following appendix includes adapters from all of Heatfab's Saf-T Vent brands.

Adapters are listed by the appliance manufacturer.

Heatfab Saf-T Vent adapters are compatible with all of Saf-T Vent brands pipes and fittings. EZ Seal to CI Plus and CI Plus to EZ Seal require an adapter, CCA\_ADSV, refer to publication PI-CCADSV.

### Terms:

**Factory Accessory (HF)** – This is an accessory supplied by the Appliance Manufacturer for some venting configurations. The vent connection on the accessory is equipped with Heat-fab's standard female end. No separate adapter is required.

**Factory Supplied (Gen.)** – The appliance is shipped with a generic flue collar that will accept a standard male end of a Heat-fab Saf-T Vent product. No separate adapter is required.

**Factory Supplied (HF)** – The appliance's flue collar is equipped with Heatfab's standard female end. No separate adapter is required.

**Don't See Your Appliance? Call Heat-fab** – If an appliance adapter is not listed for your application please call Heatfab at 800-772-0739 for our current recommendation.

# Saf-T Vent® Appliance Adapters

Manufacturer	Make & Model	Flue Collar Diameter	Adapter Part #	Page
<b>Aerco International</b>	KC1000	6	5604AER or CCA06ADKC	13
	Benchmark BMK 1.5	6	5604AER or CCA06ADKC	13
	Benchmark BMK 2.0 & BMK 3.0	8	5802AER or CCA08ADBK	13
	Benchmark BMK 2.0	8	5814AER or CCA08ADBK90 (elbow)	14
	Modulex - Series MLX-303 thru MLX-606	4	none required	
	Modulex - Series MLX-757 thru MLX-1061	6	none required	
<b>Ajax</b>	Atlas Goldstar GS-10-A01G	6	Factory Supplied (HF)	
	Atlas Goldstar GS-15-A01G	8	Factory Supplied (HF)	
	Atlas A050 - A075	6	5601BOI or CCA06ADUV	10 & 11
	Atlas A100 - A150	8	5801BOI or CCA08ADUV	10 & 11
	Atlas A200	10	51001BOI or CCA10ADUV	10 & 11
	Atlas A250 - A300	12	51201BOI or CCA12ADUV	10 & 11
	Ace Series	6 thru 16	5_01BOI or CCA__ADUV	10 & 11
	Ajax Series	5 thru 36	5_01BOI or CCA__ADUV	10 & 11
<b>American</b>	GT-305I, GT- 505I	3"/5"	Standard SC components	
	GT-705I	4	9401AMTK	7
<b>A.O. Smith Water Products</b>	Genesis GB & GW-200	4	9464	10
	GB & GW -300	5	9565	10
	GB&GW-400 & -500	6	9666	10
	GB & GW -650 & -750	8	9868	10
	GB & GW 1000	10	5100BOI or CCA10ADUV	10 & 11
	GB & GW-1300 & -1500	12	51201BOI or CCA12ADUV	10 & 11
	GB & GW-1850 & -2100	14	51401BOI or CCA14ADUV	10 & 11
	GB & GW-2500	16	51601BOI or CCA16ADUV	10 & 11
	Legend 2000 LB & LW-500, -750	6	Factory Supplied (HF)	
	LB & LW-1000	7	Factory Supplied (HF)	
	Pro Star XT 19400	4	9401RYPK	20
	Vertex 100	3	9301PVC	5
	ATI 305, ATI 505	3"/5"	Standard SC components	
ATI 705	4	9401AMTK	7	
<b>Bard Mfg.</b>	IH, IC, IL, ISG, & MPG Gas Furnaces	3	9363 for 3" dia. Vent	10
		4	9464 for 4" dia. vent	10



# Saf-T Vent® Appliance Adapters

Manufacturer	Make & Model	Flue Collar Diameter	Adapter Part #	Page
<b>Beacon/Morris</b>	BRU, BRU30 - 90, BTU30 - 90	4	9401RHM	8
	BRU / BTU 100-250	5	5501BOI OR CCA05ADUV	10 & 11
	BRU / BTU 300-400	6	5601BOI OR CCA06ADUV	10 & 11
	BST 30-75	4	9401RHM	8
	ALL BM SERIES	4 thru 6	5_01BOI or CCA__ADUV	10 & 11
<b>Bosch</b>	AquaStar 125FX	4	9464	10
	AquaStar 240FX	4	9464	10
	AquaStar 250SX	3	9301BSH	5
	Pro Tankless GWH-635-ES	3	9301BSH	5
	2400E	3	9301BSH	5
	GWH 2400ES	3	9301BSH	5
	GWH 2700ES	3	9301BSH	5
	GWH 345ESR	3	9301BSH	5
	GWH 450ESR	3	9301BSH	5
	GWH 635ES	3	9301BSH	5
	GWH 715ES	3	9301BSH	5
	GWH 425EF	4	9401RHM	8
	<b>Bradford white</b>	EF Series	3	9301PVC
<b>Buderus</b>	GA124 17, 23, 30	3	9301AMTK	3
	GA244 37, 44, 53	3	9301AMTK	3
	GA244 62	4	9401AMTK	7
	G315	7	5701BOI or CCA07ADUV	10 & 11
	G515	10	51001BOI or CCA10ADUV	10 & 11
	G615	14	51401BOI or CCA14ADUV	10 & 11
	SB615 145, 185	6	9601SB	15
	SB615 240, 310	8	9801SB	15
	SB615 400	10	91001SB	15
	SB615 510, 640	12	91201SB	15
	SB735-790/970/1200	14	91401SB	15
	G124X 18 & 25	5	5501BOI or CCA05ADUV	10 & 11
	G124X 32	6	5601BOI or CCA06ADUV	10 & 11
	G234X 38, 45, 55	7	5701BOI or CCA07ADUV	10 & 11
	G234X 64	8	5801BOI or CCA08ADUV	10 & 11
	G334X 73	8	5801BOI or CCA08ADUV	10 & 11
	G334X 92	9	5901BOI or CCA09ADUV	10 & 11
	G334X 116 and G334X 132	10	51001BOI or CCA10ADUV	10 & 11
	GB142	3	9301CPVC	5
GB312 90, 120, 160	6	9601GB	15	
GB312 200, 240, 280	8	9801GB	15	

Heatfab, Selkirk Corp

130 Industrial Boulevard • Turners Falls, MA 01376  
800 772 0739 • Fax 413 863 4803 • www.heat-fab.com

# Saf-T Vent® Appliance Adapters

Manufacturer	Make & Model	Flue Collar Diameter	Adapter Part #	Page	
<b>Buderus</b>	GB312 90, 120, 160 VENTED WITH CPVC	6	96GBCPVC	15	
	GB312 200, 240, 280 VENTED WITH CPVC	8	98GBCPVC	15	
	GBS	3"/5"	SC03AD07 (DESIGN TBD)		
	GC124 / 3 & 4	5	5501BOI or CCA05ADUV	10 & 11	
	GC124 / 5	6	5601BOI or CCA06ADUV	10 & 11	
<b>Burnham</b>	Revolution Series	3	9353BUREZ	3	
	Series 2PV	3	9353BUREZ	3	
	Spirit Series	3	9353BUREZ	3	
	INDEPENDENCE PV SERIES	3	9353BUREZ	3	
	MINUTEMAN SERIES	3	9353BUREZ	3	
	XG2000A SERIES	3	9353BUREZ	3	
	CHG150, CHG225	3 & 4	none required		
	SCG -3 thru SCG-7	3	9353BUREZ and SC if req.	3	
	SCG-8 & SCG-9	4	9454BUREZ	7	
	Freedom Series - FCM70, FCM90, FCM120	3	none required		
	ALPINE - ALP080, ALP105, ALP150, ALP210	3	9301PVC	5	
	ALPINE - ALP285, ALP399	4	9401PVC	8	
	PVG-3 THRU PVG-7	3	9353BUREZ and SC if req.	3	
	PVG-8 & PVG-9	4	9454BUREZ	7	
	V11 SERIES	8 thru 18	5_01BOI or CCA__ADUV	10 & 11	
	<b>Camus</b>	Dynaflame 500	6	5601BOI or CCA06ADUV	10 & 11
		Dynaflame 750, 1100	8	5801BOI or CCA08ADUV	10 & 11
Dynaflame 1500, 1750		10	51001BOI or CCA10ADUV	10 & 11	
Dynaflame 2000, 2500, 3000		12	51201BOI or CCA12ADUV	10 & 11	
Dynaflame Series 3500, 4000		9	5901BOI or CCA09ADUV	10 & 11	
Dynaflame Series 4500, 5000		10	51001BOI or CCA10ADUV	10 & 11	
Dynaflame Series 6000		12	51201BOI or CCA12ADUV	10 & 11	
Micoflame MFNH060, 100, 150		3	5301BOI	10 & 11	
Micoflame MFNH200, 250		4	5401BOI or CCA04ADUV	10 & 11	
Micoflame MFNH300, 400		5	5501BOI or CCA05ADUV	10 & 11	
Micoflame MFNH500, 600		6	5601BOI or CCA06ADUV	10 & 11	
Micoflame Series 2 MF800, 1000		8	5801BOI or CCA08ADUV	10 & 11	
Micoflame Series 2 MF1200, 1400		10	51001BOI or CCA10ADUV	10 & 11	
Micoflame Series 2 MF1600, 1800, 2000		12	51201BOI or CCA12ADUV	10 & 11	

# Saf-T Vent® Appliance Adapters

Manufacturer	Make & Model	Flue Collar Diameter	Adapter Part #	Page	
<b>Camus</b>	Microflame Grande MF2000	12	51201BOI or CCA12ADUV	10 & 11	
	Microflame Grande MF2500, 3000	14	51401BOI or CCA14ADUV	10 & 11	
	Microflame Grande MF3500, 4000	16	51601BOI or CCA16ADUV	10 & 11	
<b>Carel</b>	UG045, 90, 180	3	9301UTI	3	
<b>Cleaver Brooks</b>	Clearfire MCF-750	6	5601BOI or CCA06ADUV	10 & 11	
	Clearfire MCF-1000	8	5801BOI or CCA08ADUV	10 & 11	
	Clearfire MCF-1500	12	51201BOI or CCA12ADUV	10 & 11	
	Clearfire MCF-1800	12	51201BOI or CCA12ADUV	10 & 11	
	FLX	10, 12, 16	CCA_ADFL	12	
	Clearfire CFC-500	6	5601BOI or CCA06ADUV	10 & 11	
	Clearfire CFC-750	6	5601BOI or CCA06ADUV	10 & 11	
	Clearfire CFC-1000	8	5801BOI or CCA08ADUV	10 & 11	
	Clearfire CFC-1500	12	51001BOI or CCA10ADUV	10 & 11	
	Clearfire CFC-1800	12	51201BOI or CCA12ADUV	10 & 11	
	Clearfire CFC-2500	12	51201BOI or CCA12ADUV	10 & 11	
	<b>Columbia Boiler</b>	CDV38 thru CDV125	3	9301UTI	3
		CDV150 thru CDV200	4	9401UTI	9
LVGD90-120		4	9464	10	
<b>Comfortmaker</b>	GUA or GDA Series 40, 60, 80	3	9301ICP	3	
	GUA or GDA Series 100, 120	4	9401ICP	8	
<b>Conematic</b>	SOL 2, AND SOL 3	3"/5"	Standard SC components		
<b>Crown Boiler</b>	Bali BWF 061-162	3	9301CRWN	3	
	Bali BWF 195-229	4	9401CRWN	7	
	Cabo CSC-50 thru CSC-150	3	9301CRWN	3	
	Cabo CSC-175 and CSC-200	4	9401CRWN	7	
	CXE-2 thru CXE-5	3	9301THI	3	
	CXE-6 and CXE-7	4	9464	10	
	XE Series (XE-2 thru XE-5)	4	9401DUN	7	
	BWC 150	3	none required		
	BWC 225	4	none required		
	BWC 300	4	9401VAIL	9	
	BWC 399 & BWC 425	5	9501MACH	19	
	CWD 060-138	3	9301CRWN	3	
	CWD 060-138	3	9301CRWN	3	

# Saf-T Vent® Appliance Adapters

Manufacturer	Make & Model	Flue Collar Diameter	Adapter Part #	Page
<b>DeDietrich</b>	GT 120	4	9401MGTV	8
	DTG 120 FF	3"/5"	SC03AD04 or SC03AD04T	21
	GT 210A	6 & 7	5_01BOI or CCA__ADUV	10 & 11
	GT300A	7 & 8	5_01BOI or CCA__ADUV	10 & 11
	GT 400A	10 & 12	5_01BOI or CCA__ADUV	10 & 11
	GTE 500A	16 & 18	5_01BOI or CCA__ADUV	10 & 11
<b>Dunkirk Radiator</b>	XE Series (XE-2 thru XE-5)	4	9401DUN	7
	XEB-2 thru XEB-5	3	9301THI	3
	XEB-6 and XEB-7	4	9464	10
<b>Ecosense (Rheem)</b>	ECO-180DV	3"/5"	SC03AD05	21
<b>Frigidaire</b>	see Nordyne			
<b>Fulton Boiler</b>	PulsePak PHW-300, 500, 750, 950, 1000 (on/off)	4	Factory Supplied	7
	PulsePak PHW-300, 500, 750, 950, 1000, 1400 (modulating)	4	Factory Supplied (Gen.)	
	Pulse PHW-2000	6	Factory Supplied (Gen.)	
	Pulse PHW-2000QT	6	9601FMA	17
	Vantage 2000	10	51001BOI or CCA10ADUV	10 & 11
	Vantage 3000	10	51001BOI or CCA10ADUV	10 & 11
	Vantage 4000	14	51401BOI or CCA14ADUV	10 & 11
	VLP-750, 1150	4	9401FUL	7
	4" Fulton Exhaust Muffler	4	9401FMA	17
	6" Fulton Exhaust Muffler	6	9601FMA	17
	Pulse PDWH 750 and PDWH 1000	4	9401FUL	7
	Pulse PVLP750 and PVLP 1150	4	9401FUL	7
<b>Gasmaster Industries</b>	GMI 200, 300, 400	4	5401BOI	10
	GMI 600	6	5601BOI or CCA06ADUV	10 & 11
	GMI 800, 1M	8	5801BOI or CCA8ADUV	10 & 11
	GMI 1.5M, 2M	12	51201BOI or CCA12ADUV	10 & 11
	GMI 4M	18	51801BOI or CC18ADUV	10 & 11
	GMI 8M	24	52401BOI or CCA24ADUV	10 & 11
<b>Gibson</b>	see Nordyne			
<b>General Electric</b>	GN75DNSRSA, GN94DNSRSA	3"/5"	Standard SC components	
	GN94DPSRSA	4	9401AMTK	7

# Saf-T Vent® Appliance Adapters

Manufacturer	Make & Model	Flue Collar Diameter	Adapter Part #	Page
<b>Hatco Corporation</b>	Powermite PMG-100 & -200	4	5401BOI	10
<b>Hayward Pool Prod.</b>	H250IDL, H350IDL, & H400IDL	6	Factory Supplied ( HF )	
	H250FDN, H250FDP	6	Factory Supplied ( HF )	
	H350FDN, H350FDP, H400FDN, H400FDP	8	Factory Supplied ( HF )	
<b>H. B. Smith</b>	PVG-2 thru PVG-5	4	9401DUN	7
	PVGA-2 thru PVGA-5	3	9301THI	3
	PVGA-6 and PVGA-7	4	9464	10
	GT150, 200	3	9301CPVC	5
	GT400	4	9401CPVC	7
<b>Hobart Corporation</b>	IB57 & IB140 Booster Heater	3	9363	10
	IB235 & IB290 Booster Heater	4	9464	10
<b>Hydrotherm</b>	HI-85/50B, HI-125/75B, HI-165/100B)	4	9401MES	8
	ID-85A, ID-125A, ID-165A	4	9401MES	8
	Innova IHS-40 thru IHS-160	4	9401MES	8
	Sabre FX - 70, 105, and 140	3	9314SMI	5
	FX - 175 and 200	4	9414SMI	9
	KN -10	6	9601KN (Factory Supplied) or CCA06ADKN	17
	KN -6	6 to 5	Factory Supplied ( HF )	
	KN -20	9	Factory Supplied ( HF )	
	GX-150 and GX-200	3	9301CPVC	5
	GX-400	4	9401CPVC	7
<b>International Comfort Products (ICP)</b>	GUA or GDA Series 40, 60, 80	3	9301ICP	3
	GUA or GDA Series 100, 120	4	9401ICP	8
<b>Laars Heating Systems</b>	Endurance EBP, EDN, & EDP (all sizes)	3	SC Vent Kit (Mfg.) or 9301THI	3
	Heatmaker H,HP, & HW (all sizes)	3	9301THI	3
	Mini-Therm JVi JVH/JVP 50 -225	4	9401JVI	8
	Mini-Combo id	4	5401BOI	10
	Summit	3	9301CPVC	5
	Rheos 1200, 1600 or Rheos Plus 1200, 1600	6	5601BOI or CCA06ADUV	10 & 11

Heatfab, Selkirk Corp

130 Industrial Boulevard • Turners Falls, MA 01376  
800 772 0739 • Fax 413 863 4803 • www.heat-fab.com

# Saf-T Vent<sup>®</sup> Appliance Adapters

Manufacturer	Make & Model	Flue Collar Diameter	Adapter Part #	Page
<b>Laars Heating Systems</b>	Rheos 2000 or Rheos Plus 2000	7	5701BOI or CCA07ADUV	10 & 11
	Rheos 2400 or Rheos Plus 2400	10	51001BOI or CCA10ADUV	10 & 11
	Pennant 500 (Cat I, III, & Sidewall)	6	5601BOI or CCA06ADUV	10 & 11
	Pennant 750 (Cat. I)	8	5801BOI or CCA08ADUV	10 & 11
	Pennant 750 (Cat. II & Sidewall)	6	5601BOI or CCA06ADUV	10 & 11
	Pennant 1000 (Cat. I)	10	51001BOI or CCA10ADUV	10 & 11
	Pennant 1000 (Cat. II & Sidewall)	8	5801BOI or CCA08ADUV	10 & 11
	Pennant 1500 (Cat. I)	12	51201BOI or CCA12ADUV	10 & 11
	Pennant 1500 (Cat. II & Sidewall)	10	51001BOI or CCA10ADUV	10 & 11
	Pennant 2000 (Cat. I)	14	51401BOI or CCA14ADUV	10 & 11
	Pennant 2000 (Cat. II & Sidewall)	12	51201BOI or CCA12ADUV	10 & 11
	MightyMax Series			
	HH,PH,PW, & VW 0320M	6	9601LARS *	16
	HH,PH,PW, & VW 0400M	7	9701LARS *	16
	HH,PH,PW, & VW 0520M	8	9801LARS *	16
	HH,PH,PW, & VW 0625M	8	9801LARS *	16
	HH,PH,PW, & VW 0775M	9	9901LARS *	16
	HH,PH,PW, & VW 1000M	10	91001LARS *	16
	Mascot	3	9301CPVC	5
	* Available from Laars Heating Systems for appliances being vented with AL294C.			
<b>Lennox</b>	CMWB-2 thru CMWB-5	3	9301THI	3
	CMWB-6 and CMWB-7	4	9464	10
	CXE-2 thru CXE-5	4	9401DUN	7
	CXEB-2 thru CXEB-5	3	9301THI	3
	CXEB-6 and CXEB-7	4	9464	10
<b>Lochinvar</b>	Copper-Fin II CF & CH 300	5	5501BOI or CCA05ADUV	10 & 11
	CF & CH 401, 501	6	5601BOI or CCA06ADUV	10 & 11
	CF & CH 651, 751	8	5801BOI or CCA08ADUV	10 & 11
	CF & CH 990	10	51001BOI or CCA10ADUV	10 & 11
	CF & CH 1260, 1440	12	51201BOI or CCA12ADUV	10 & 11
	CF & CH 1800, 2070	14	51401BOI or CCA14ADUV	10 & 11
	Efficiency+ EB/EW/EP 100	3	9363	10
	EB/EW/EP 150 and 200	4	9464	10
	EB/EW/EP 250 and 300	5	9565 or 9514LOCH	10 & 16
	Efficiency+ Sidewall Vent Cap Adapter	4	9454LOCH	16
	Efficiency+ Sidewall Vent Cap Adapter	5	9555LOCH	16

# Saf-T Vent® Appliance Adapters

Manufacturer	Make & Model	Flue Collar Diameter	Adapter Part #	Page
<b>Lochinvar</b>	Intelli-Fin IBL & IBN 1500	6	5601BOI or CCA06ADUV	10 & 11
	Intelli-Fin IBL & IBN 1700	7	5701BOI or CCA07ADUV	10 & 11
	Intelli-Fin IBL & IBN 2000	8	5801BOI or CCA08ADUV	10 & 11
	Power-Fin PB & PF Series 0250	5	5501BOI or CCA05ADUV	10 & 11
	PB & PF Series 0500/0501	7	5701BOI or CCA07ADUV	10 & 11
	PB & PF Series 0750/0751	9	5901BOI or CCA09ADUV	10 & 11
	PB & PF Series 1000/1001	10	51001BOI or CCA10ADUV	10 & 11
	PB & PF Series 1300	12	51201BOI or CCA12ADUV	10 & 11
	PB & PF Series 1500	8	5801BOI or CCA08ADUV	10 & 11
	PB & PF Series 1700	8	5801BOI or CCA08ADUV	10 & 11
	PB & PF Series 2000	10	51001BOI or CCA10ADUV	10 & 11
	PBN & PFN Series 0502 (Cat. IV)	4	5401BOI or CCA04ADUV	10 & 11
	PBN & PFN Series 0502 (Cat. II)	7	5701BOI or CCA07ADUV	10 & 11
	PBN & PFN Series 0752 (Cat. IV)	5	5501BOI or CCA05ADUV	10 & 11
	PBN & PFN Series 0752 (Cat. II)	9	5901BOI or CCA09ADUV	10 & 11
	PBN & PFN Series 1002 (Cat. IV)	6	5601BOI or CCA06ADUV	10 & 11
	PBN & PFN Series 1002 (Cat. II)	10	51001BOI or CCA10ADUV	10 & 11
	PBN & PFN Series 1302 (Cat. IV)	8	5801BOI or CCA08ADUV	10 & 11
	PBN & PFN Series 1302 (Cat. II)	12	51201BOI or CCA12ADUV	10 & 11
	PBN & PFN Series 1501 (Cat. IV)	6	5601BOI or CCA06ADUV	10 & 11
	PBN & PFN Series 1501 (Cat. II)	8	5801BOI or CCA08ADUV	10 & 11
	PBN & PFN Series 1701 (Cat. IV)	7	5701BOI or CCA07ADUV	10 & 11
	PBN & PFN Series 1701 (Cat. II)	9	5901BOI or CCA09ADUV	10 & 11
	PBN & PFN Series 2001 (Cat. IV)	8	5801BOI or CCA08ADUV	10 & 11
	PBN & PFN Series 2001 (Cat. II)	10	51001BOI or CCA10ADUV	10 & 11
	ERN151 and ERN201	4	5401BOI or CCA04ADUV	10 & 11
	ERN251, 301, 401	5	5501BOI or CCA05ADUV	10 & 11
Knight KBN 080 - 285	3	9301PVC	5	
Knight KBN 399 & 500	4	9401PVC	7	
<b>Modine</b>	HD30 thru HD75	3	9301MOD	4
	HD 100 AND HD 125	4	5401BOI	10
	HDB 60 AND HDB 75	3	9301MOD	4
	HDB 100 AND HDB 125	4	5401BOI	10
	HDS 30 AND HDS 45	3	9301MOD	4
	HDS 60 THRU HDS 125	4	5401BOI	10
	HDC 60 THRU HDC 125	4	5401BOI	10
	PDP / BDP	5 & 6	9565 & 9666	10
	GT 400A	10 & 12	5_01BOI or CCA__ADUV	10 & 11
	Hot Dawg Vent Cap Adapter	3	9302MOD	4

# Saf-T Vent® Appliance Adapters

Manufacturer	Make & Model	Flue Collar Diameter	Adapter Part #	Page
<b>Monitor Products</b>	MZ Series	3"/5"	SC03AD01	21
<b>New Yorker</b>	PVCG Series (30 thru 60)	3	9353BUREZ	3
<b>Nordyne</b>	FG6RA-045	3	9363	10
	FG6RA-060 THRU -120	4	9464	10
	FG6RA-144	5	9565	10
	FG6RAK (all models)	4	9464	10
<b>Noritz</b>	N-042	3	9301PAL	4
	N-063S, N-069M, N-084M, N-084M-DV	4	9401RYPK	20
	N-132	5	9501NOR	18
	N-0531S	3	9301UTI	3
	N-0631S, N-751M, N-841MC, N-931M	4	9401RYPK	20
<b>Nortec</b>	GHB / GHP / GHMC 100	3	9301AMTK	3
	GHB / GHP / GHMC 200 and 400	4	9401AMTK	7
	GS 100	3	9363	10
	GS 200	4	5401BOI or CCA04ADUV	10 & 11
	GS 300 / 400	5	5501BOI or CCA05ADUV	10 & 11
	GS 500 / 600	6	5601BOI or CCA06ADUV	10 & 11
<b>Paloma Industries</b>	PH-16, PH-20, PTG-42, PTG-53	3	9301PAL	4
	PH-28, PTG-74	4	9401RHM	8
	PH-25RDVS	3"/5"	SC03AD05	21
<b>Patterson-Kelley</b>	Modu-Fire N1000	10	51001BOI or CCA10ADUV	10 & 11
	Modu-Fire N1500 & N2000	12	51201BOI or CCA12ADUV	10 & 11
	Modu-Fire N1500MD	8 or 6*	9801PK08 or 9801PK06	18
	Modu-Fire N2000MFD	8 or 6*	9801PK08 or 9801PK06	18
	Thermific 700, 900, 1200	10	51001BOI or CCA10ADUV	10 & 11
	Thermific 1500, 1700, 1900	12	51201BOI or CCA12ADUV	10 & 11
	N1000MFD	6	5601BOI or CCA06ADUV	10 & 11
	N1000MFD WITH 5" VENTING	6	965PKMODU 6" to 5" REDUCER *	18
	N750MFD / N1000MFD WITH 4" VENTING	6	964PKMODU 6" to 4" REDUCER *	18
	N1500MFD / N2000MFD	8	9801PK08	18
	<b>* Refer to Boiler instructions</b>			



# Saf-T Vent® Appliance Adapters

Manufacturer	Make & Model	Flue Collar Diameter	Adapter Part #	Page	
<b>Patterson-Kelley</b>	N1500MFD / N2000MFD WITH 6" VENTING	8	9801PK06 8" TO 6" REDUCER *	18	
	N1500MFD / N2000MFD WITH 6" UNIVERSAL VENTING	8	9801PK06UV 8" TO 6" REDUCER UNIV. *	18	
	Mach C - 300	4	9401MACH	19	
	Mach C-300 VENTED WITH CPVC	4	9401PKCPVC	19	
	Mach C - 450	5	9501MACH	19	
	Mach C-450 VENTED WITH CPVC	5	9501PKCPVC	19	
	Mach C - 750	6	Factory Supplied (HF)		
	Mach C-750 VENTED WITH CPVC	6	9601PKCPVC	19	
	Mach C - 900/1050	8	9801MACH	19	
	Mach C-900/1050 VENTED WITH CPVC	8	9801PKCPVC	19	
	Mach C - 1500 / 2000	9.8	91001MACH	18	
	Mach C - 1500 / 2000	10	91002MACH	18	
	Mach C - 1500 / 2000 WITH 8" VENTING	9.8	91001PK08 10" TO 8" REDUCER	18	
	Mach C - 1500 / 2000 WITH 8" VENTING	10	91002PK08 10" TO 8" REDUCER	18	
	Mach C - 1500 / 2000 WITH 6" VENTING	9.8	91001PK06 10" TO 6" (VERTICAL ONLY)	18	
	Mach C - 1500 / 2000 WITH 6" VENTING	10	91002PK06 10" TO 6" (VERTICAL ONLY)	18	
	<b>* Refer to Boiler instructions</b>				
	<b>Peerless Heater</b>	DE Series (all models)	3	9301AMTK	3
		PDE Series (all models)	3	93PLSTEE	4
PDE Vent Cap Adapter		3	9302PL	4	
PSC Series (all models)		3	9301AMTK	3	
<b>Pennco</b>	FS Series (FS-2 thru FS-5)	4	9401DUN	7	
	FSB-2 thru FSB-5	3	9363	10	
	FSB-6 and FSB-7	4	9464	10	
<b>Pentair Pool Products</b>	Master Temp Series 175K - 500K	4	9401SRI	9	
	MAX - E - THERM	4	9401SRI	9	
	Mini Max NT & Low NOX	4 or 5	5401BOI or 5501BOI	10 & 11	
<b>Precision Temp</b>	PT-200 Gas Booster Heater	4	9464	10	

# Saf-T Vent® Appliance Adapters

Manufacturer	Make & Model	Flue Collar Diameter	Adapter Part #	Page
<b>Pure Humidifier Co.</b>	GX-3, GX-4	4	5401BOI or CCA04ADUV	10 & 11
	GX-8	6	5601BOI or CCA06ADUV	10 & 11
	GX-12	8	5801BOI or CCA08ADUV	10 & 11
<b>PVI Industries</b>	Power VT (all models)	4	9401PVI	8
<b>Raypak</b>	B-50 & B-130A Gas Booster Heater	3	9363	10
	B-195 Gas Booster Heater	4	9464	10
	Advanced Design Boiler (ADB)			
	ADB-500	6	9601RYPK	20
	ADB-750	8	9801RYPK	20
	ADB-1000 w/out CHX	9	9901RYPK	20
	ADB-1000 with CHX	10	91001RYPK	20
	ADB-1500	12	91201RYPK	20
	Hi Delta			
	122	4	9401RYPK	20
	162, 202, 242, 302	5	9501RYPK	20
	322, 402 and 502	6	9601RYPK	20
	652, 752, and 902	8	9801RYPK	20
	992	10	91001RYPK	20
	1262 and 1532	12	91201RYPK	20
	1802, 2002, and 2072	14	91401RYPK	20
	2342	16	91601RYPK	20
	Vent Cap Adapters (ADB , Hi-delta)	4	9490RYPK	20
		5	9590RYPK	20
		6	9690RYPK	20
	8	9890RYPK	20	
	9	9990RYPK	20	
	10	91090RYPK	20	
	12	91290RYPK	20	
	14	91490RYPK	20	
	16	91690RYPK	20	
	MVB 503, 753, 1003	6	5601BOI or CCA06ADUV	10 & 11
	MVB 1253, 1503, 1753, 2003	8	5801BOI or CCA08ADUV	10 & 11
<b>RBI Water Heaters</b>	Futera 65, 100, & 150	3	5301BOI	10
	Futera 200, 250, & 300	4	5401BOI	10
	Futera 350 & 400	5	5501BOI or CCA05ADUV	10 & 11

# Saf-T Vent® Appliance Adapters

Manufacturer	Make & Model	Flue Collar Diameter	Adapter Part #	Page
<b>RBI Water Heaters</b>	Futera II 500 (Cat. IV)	6	5601BOI or CCA06ADUV	10 & 11
	Futera II 500 (Cat. II)	8	5801BOI or CCA08ADUV	10 & 11
	Futera II 750 (Cat. IV)	8	5801BOI or CCA08ADUV	10 & 11
	Futera II 750 & 1000 (Cat. II)	10	51001BOI or CCA10ADUV	10 & 11
	Futera II 1000 (Cat. IV)	9	5901BOI or CCA09ADUV	10 & 11
	Futera II 1250, 1500 (Cat. IV)	10	51001BOI or CCA10ADUV	10 & 11
	Futera II 1250, 1500 (Cat. II)	12	51201BOI or CCA12ADUV	10 & 11
	Futera II 1750, 1950 (Cat. IV)	12	51201BOI or CCA12ADUV	10 & 11
	Futera II 1750, 1950 (Cat. II)	14	51401BOI or CCA14ADUV	10 & 11
	Futera III 500, 750 (Cat. IV)	5	5501BOI or CCA05ADUV	10 & 11
	Futera III 500, 750 (Cat. II)	6	5601BOI or CCA06ADUV	10 & 11
	Futera III 1000 (Cat. IV)	6	5601BOI or CCA06ADUV	10 & 11
	Futera III 1000 (Cat. II)	7	5701BOI or CCA07ADUV	10 & 11
	Futera III 1250 (Cat. IV)	6	5601BOI or CCA06ADUV	10 & 11
	Futera III 1500 (Cat. IV)	8	5801BOI or CCA08ADUV	10 & 11
	Futera III 1250, 1500 (Cat. II)	8	5801BOI or CCA08ADUV	10 & 11
	Futera III 1750, 2000 (Cat. II and Cat. IV)	10	51001BOI or CCA10ADUV	10 & 11
	Futera Fusion CB/CW 500, 750, 1000	7	5701BOI or CCA07ADUV	10 & 11
	Futera Fusion CB/CW 1200, 1500	8	5801BOI or CCA08ADUV	10 & 11
	Futera Fusion CB/CW 1750, 2000	10	51001BOI or CCA10ADUV	10 & 11
<b>RBI Water Heaters</b>	Futera II, III, LCD, & Dominator Exhaust Term Adapters	6	9690RYPK	20
		8	9890RYPK	20
		9	9990RYPK	20
		10	91090RYPK	20
		12	91290RYPK	20
<b>Reznor</b>	FT 30-65	4	9464	10
	BE & FE 25 -100	4	9464	10
	BE & FE 125 -250	5	9565	10
	BE & FE 300-400	6	9666	10
<b>Rheem</b>	RTG-42, RTG-53	3	9301PAL	4
	RTG-74, GT-199PV	4	9401RHM	8
	RTG-53DV, RTG-66DV	3"/5"	SC03AD05	21

# Saf-T Vent® Appliance Adapters

Manufacturer	Make & Model	Flue Collar Diameter	Adapter Part #	Page
<b>Richmond</b>	RMTG-42, RMTG-53	3	9301PAL	4
	RMTG-74	4	9401RHM	8
	RMTG-66DV	3"/5"	SC03AD05	21
	RMTG-53DV, RMTG-66DV	3"/5"	SC03AD05	21
<b>Rinnai</b>	Continum	3	SC Vent Kit (HF), SC03AD01, SC03AD01E	21
	R50LSI, R75LSI, R94LSI	3"/5"	Standard SC components	
	R98I, R98LSI	4	9401AMTK	7
<b>Riverside Hydronics</b>	Primera 400	6	5601BOI or CCA06ADUV	10 & 11
	Primera 750, 1000	8	5801BOI or CCA08ADUV	10 & 11
	Primera 1200,	10	51001BOI or CCA10ADUV	10 & 11
	Primera 1600, 2000	12	51201BOI or CCA12ADUV	10 & 11
	EPV Series, Emblem	4	5401BOI or CCA04ADUV	10 & 11
<b>Ruud</b>	RUTG-42, RUTG-53	3	9301PAL	4
	RUTG-74	4	9401RHM	8
	GT-199PV	4	9401RHM	8
	RUTG-53DV, RUTG-66DV	3"/5"	SC03AD05	21
<b>Slant/Fin</b>	Concept 21 Boiler (all models)	3	Factory Supplied (HF)	
	Prodigy 21 Boiler all models)	3	Factory Supplied (HF)	
	Victory Boiler (all models)	3	Factory Supplied (HF)	
	Victory II Boiler (all models)	3	Factory Supplied (HF)	
	Lynx LX-85	3	9301PVC	5
	Bobcat B-120, B-200	3	9301PVC	5
<b>Smith Boiler</b>	GV100W-3 thru GV100W-7	4	9401MES	8
	GS110-3, GS110-4, GS110-5	3	9314SMI	5
	GS110-6, GS110-7	4	9414SMI	9
	Series 19A	7 thru 12	5__01BOI or CCA__ADUV	10 & 11
	Series 28A	10 thru 18	5__01BOI or CCA__ADUV	10 & 11
<b>Snyder General Furnace</b>	GUA or GDA Series 40, 60, 80	3	9301ICP	3
	GUA or GDA Series 100, 120	4	9401ICP	8
<b>Sta - Rite</b>	Max-E-Therm SR Pool and Spa Heater (SR200, SR333, SR400)	4	9401SRI	9
	(Kit 77707-0086 from Sta-Rite)			

# Saf-T Vent<sup>®</sup> Appliance Adapters

Manufacturer	Make & Model	Flue Collar Diameter	Adapter Part #	Page
<b>State Water Heater</b>	Aurora Tankless	4	9401RYPK	20
	GTS-305I, GTS-505I	3"/5"	Standard SC components	
	GTS-705I	4	9401AMTK	7
<b>Sterling</b>	TF 100 - 250	5	9565	10
	TF 300 - 400	6	9666	10
	RF Series	4	9464	10
<b>Stero Company</b>	SIB140 Booster Heater	3	9363	10
	SIB235 & SIB290 Booster Heater	4	9464	10
<b>Takagi</b>	FlashT-K1	4	9464	10
	Flash T-K2	4	9464	10
	Flash T-K3	4	9464	10
	Flash T-H1	4	9464	10
	Flash T-KD20*	4	9464	10
	Mobius T-M1*	4	9464	10
	Mobius T-M199	4	9464	10
	T-K1S, T-K2, & T-K Jr.*	4	9464	10
	* When using, TK-TV03, Back Flow Preventer on these models	4	9401AMTK	7
	T-M50	5	9501RYPK	20
Flash T-K3-SP	4	9464	10	
<b>Tappan</b>	see Nordyne			
<b>Teledyne Laars</b>	see Laars Heating Systems			
<b>Thermal Solutions</b>	Evolution EVH-250	3	Factory Supplied (HF)	
	Evolution EVH-500 & -750	4	Factory Supplied (HF)	
	Evolution EVH-1000,-1500,-2000	6	Factory Supplied (HF)	
	Evolution (Conventional Vent)			
	EVH-250	5	Factory Supplied (HF)	
	EVH-500	6	Factory Supplied (HF)	
	EVH-750	7	Factory Supplied (HF)	
	EVH-1000	9	Factory Supplied (HF)	
	EVH-1500	10	Factory Supplied (HF)	
	EVH-2000	12	Factory Supplied (HF)	
	Evolution EV-2000S	6	Factory Supplied ( HF)	
Evolution EV-2500, 3000	8	Factory Supplied ( HF)		
Solaris	4, 6, 8, 10	5_01BOI or CCA_ADUV	10 & 11	

# Saf-T Vent® Appliance Adapters

Manufacturer	Make & Model	Flue Collar Diameter	Adapter Part #	Page
<b>Thermo-Dynamics</b>	LMGD (all models)	4	9464	10
	CWL-GS 120, 140, 160 Series	5	5501BOI or CCA05ADUV	10 & 11
	LMD 75, 100, 110	5	5501BOI or CCA05ADUV	10 & 11
<b>Trianco-Heatmaker</b>	Heatmaker H, HP, & HW (all sizes)	3	9301THI	3
<b>Triangle Tube</b>	HM Series G Model 25 & 30	3	9301DEL	5
	Delta Performance (all models)	3	SC Vent Kit (Mfg.), EZ Vent Kit (Mfg.), or 9301DEL	5
<b>Utica Boilers</b>	DV & DVA -38 thru -125	3	9301UTI	3
	DV & DVA -150 thru -200	4	9401UTI	9
	DVB -50 thru -125	3	9301UTI	3
	DVB -150 thru -200	4	9401UTI	9
	USC Series Boiler (all sizes)	3	9301UTI	3
<b>Vaillant</b>	GA100PV & SC (all models)	3	9301VAIL	4
	GA92160PV	4	9401VAIL	9
<b>VAPAC</b>	GF Series	3	9301UTI or Standard SC	3
<b>Viessmann</b>	Vitogas 050 ECV (all models)	3	9363	10
	Vitogas 100 GS10-72	8	5801BOI or CCA08ADUV	10 & 11
	Vitogas 100 GS10-84	9	5901BOI or CCA09ADUV	10 & 11
	Vitogas 100 GS10-96	10	51001BOI or CCA10ADUV	10 & 11
	Vitoden 100	3	9301VSMN	3
	Vitoden 200 WB2 6-24 & 8-32	3	9301VSMN	3
	Vitoden WB2 11-44 & 15 -60	4	9401VSMN	9
	Vertomat VSB-17, -22, -28	8	5801BOI or CCA08ADUV	10 & 11
	Vertomat VSB-37, -46, -57	10	51001BOI or CCA10ADUV	10 & 11
	Vertomat VSB-72, -89	12	51201BOI or CCA12ADUV	10 & 11
	Vitocrossal 300 Series, CT3-17, 22, 28	8	5801BOI or CCA08ADUV	10 & 11
	Vitocrossal 300 Series, CT3-37, 46, 57	10	51001BOI or CCA10ADUV	10 & 11
Vitocrossal 300 Series, CT3-72, 89	12	51201BOI or CCA12ADUV	10 & 11	
<b>WaiWela</b>	PH-16IFSN/P PH-20-RIFS/N	3	9301PAL	4
	PH28RIFS & PH28CIFS	4	9401RHM	8

# Saf-T Vent® Appliance Adapters

Manufacturer	Make & Model	Flue Collar Diameter	Adapter Part #	Page
<b>Weben Jarco</b>	Vision 3000 750	6	Factory Supplied (HF)	
	Vision 3000 1000	8	Factory Supplied (HF)	
	Vision 3000 1500 & 2000	10	Factory Supplied (HF)	
	E-Finiti E_020	3	5301BOI	10
	E-Finiti E_040, E_060	4	5401BOI	10
	E-Finiti E_075, E_100	6	5601BOI or CCA06ADUV	10 & 11
	E-Finiti E_125, E_150	8	5801BOI or CCA08ADUV	10 & 11
	E-Finiti E_175, E_200	10	51001BOI or CCA10ADUV	10 & 11
<b>Weil-McLain</b>	Gold Series 3 & 4 (all models)	3	93WMSTXL	6
	Gold Series 2 (all models)	3	93WMSTRT (straight) 93WMSTLH (horz. elbow) 93WMSTLV (vert. elbow)	6
	CGi / CGs / CGt (all models)	3	93WMCGIS	6
	VHE Series (all models)	3	93WMSTEE	6
	Ultra Series UG-80, 105, 155	3	9301CPVC	5
	Ultra Series UG-230, 310	4	9401CPVC	7
<b>Westinghouse</b>	see Nordyne			
<b>Williamson-Thermoflo</b>	Gwi / GWs (all models)	3	93WMCGIS	6

# Technical and Dimensional Data

---

# Saf-T Vent<sup>®</sup>

## Appliance Adapters

---

### AL 29-4C<sup>®</sup> Stainless Steel Special Gas Vent



130 Industrial Boulevard  
Turners Falls, MA 01376

Call (800) 772-0739  
Fax (413) 863-4803

[www.heat-fab.com](http://www.heat-fab.com)

© Copyright 2002 Heat-Fab, Incorporated  
Saf-T Vent is a registered trademark of Heat-Fab, Inc.  
AL29-4C is a registered trademark of ATI Properties, Inc.

Pub.#11701-041106



# Saf-T Vent<sup>®</sup> Appliance Adapters

---

Heat-fab Saf-T Vent adapters are compatible with all Saf-T Vent brands—EZ Seal, SC, CI, and CI Plus. A listing of Appliances by make and model with the appropriate Saf-T Vent adapter starts on page 20.

<b>ADAPTER</b>	<b>PAGE</b>
<b>APPLIANCES, MAKES AND MODELS</b>	<b>20</b>
<b>3" ADAPTERS</b>	<b>3</b>
<b>4" ADAPTERS</b>	<b>7</b>
<b>OVER THE COLLAR ADAPTERS</b>	<b>10</b>
<b>INTO THE FLUE COLLAR ADAPTERS</b>	<b>10</b>
<b>UNIVERSAL BOILER ADAPTERS</b>	<b>11</b>
<b>FLANGE TYPE ADAPTERS</b>	<b>12</b>
<b>AERCO ADAPTERS</b>	<b>13</b>
<b>BUDERUS ADAPTERS</b>	<b>15</b>
<b>FULTON MUFFLER ADAPTERS</b>	<b>17</b>
<b>HYDROTHERM ADAPTERS</b>	<b>15</b>
<b>LAARS ADAPTERS</b>	<b>16</b>
<b>LOCHINVAR ADAPTERS</b>	<b>16</b>
<b>NORITZ ADAPTERS</b>	<b>17</b>
<b>P-K MACH ADAPTERS</b>	<b>17</b>
<b>RAYPAK ADAPTERS</b>	<b>18</b>
<b>RINNAI ADAPTERS</b>	<b>19</b>

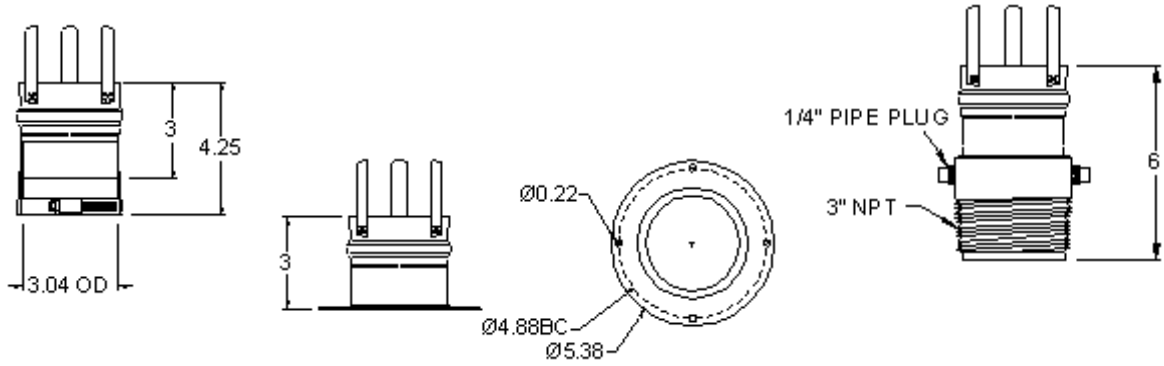
Heat-fab, Inc.

---

130 Industrial Boulevard • Turners Falls, MA 01376  
Phone 800 772 0739 • Fax 413 863 4803 • www.heat-fab.com

# Saf-T Vent<sup>®</sup> Appliance Adapters

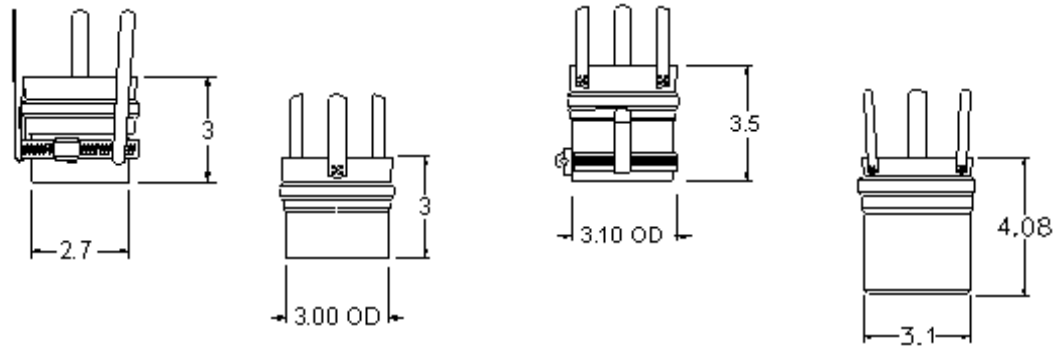
**3" Adapters** —Adapters for appliances with 3" flue collars.



**9301AMTK**

**9301CRWN**

**9301FUL**

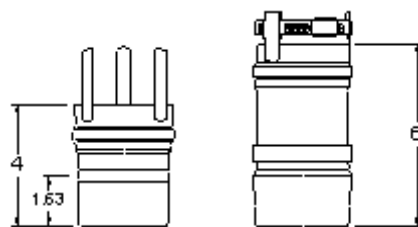


**9301ICP**

**9301THI**

**9301UTI**

**9301VSMN**



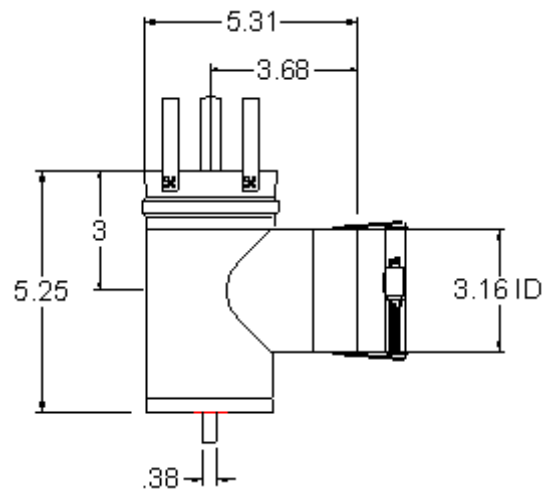
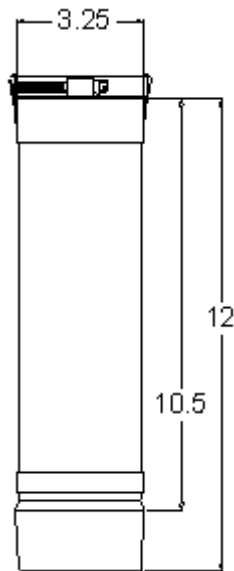
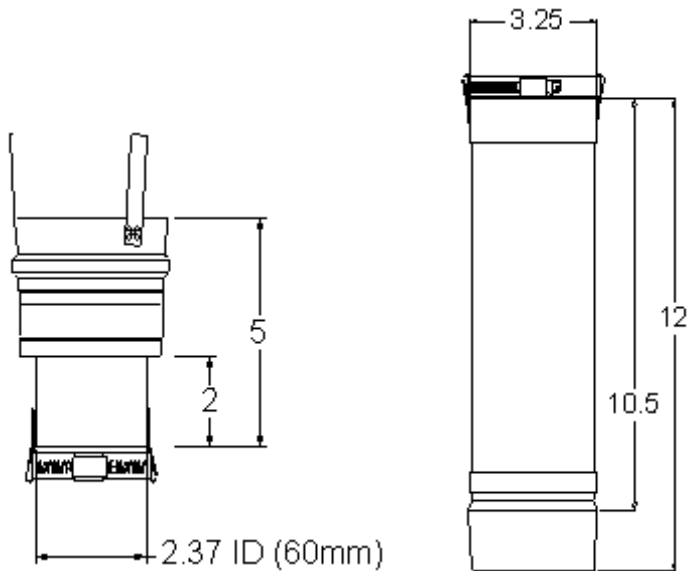
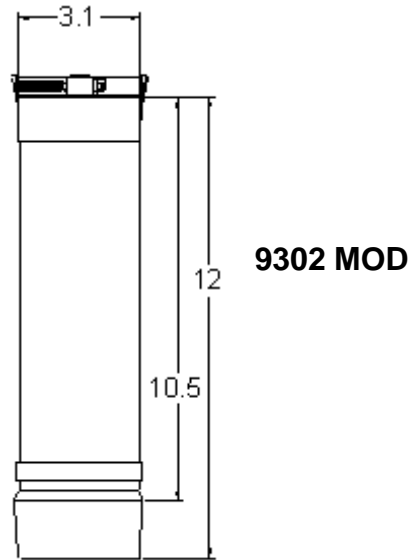
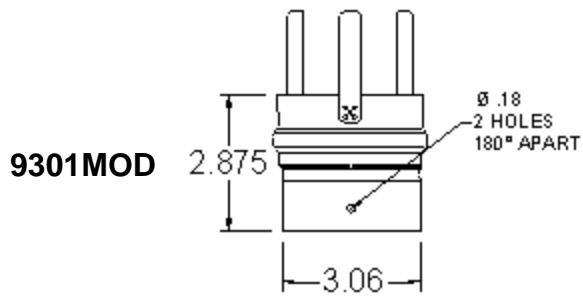
**Burnham  
(Gasketed) to  
Saf-T Vent EZ**

**Saf-T Vent EZ to  
Burnham  
(Gasketed)**

**9353BUREZ**

# Saf-T Vent<sup>®</sup> Appliance Adapters

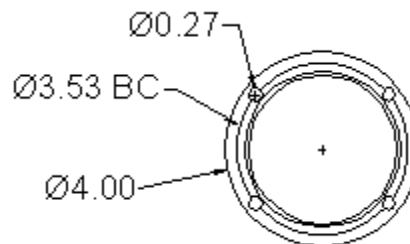
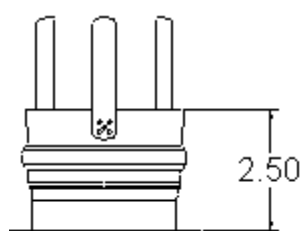
**3" Adapters** —Adapters for appliances with 3" flue collars.



9301PAL

9302PL

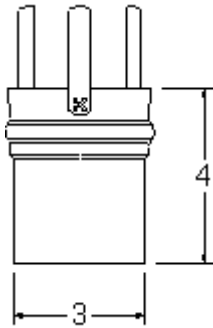
93PLSTEE



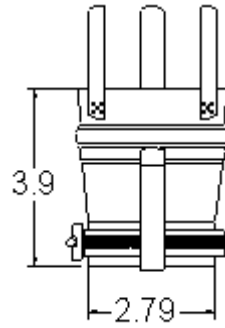
9301VAIL

# Saf-T Vent<sup>®</sup> Appliance Adapters

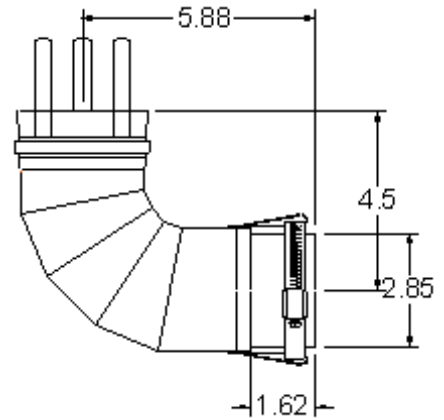
**3" Adapters** — Adapter for appliances with 3" flue collars.



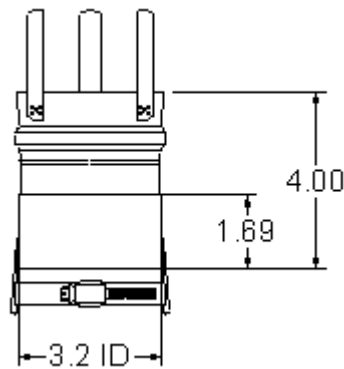
**9301BSH**



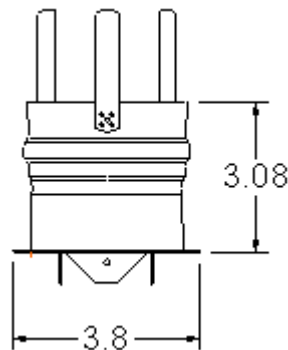
**9301CPVC**



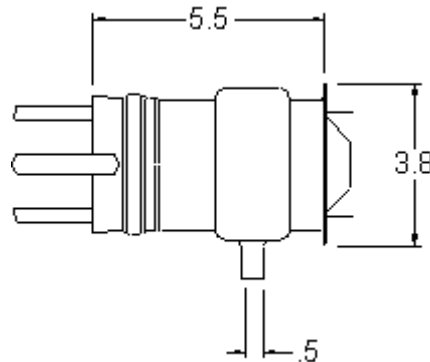
**9314SMI**



**9301DEL**



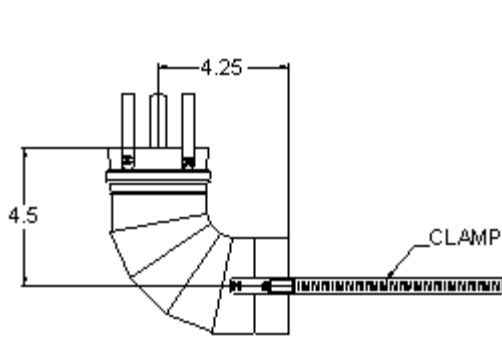
**9SF4406**



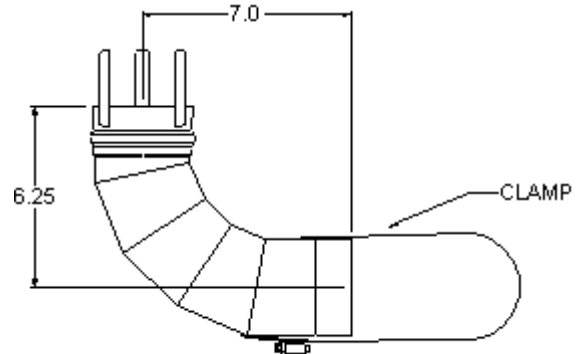
**9SF440697**

# Saf-T Vent<sup>®</sup> Appliance Adapters

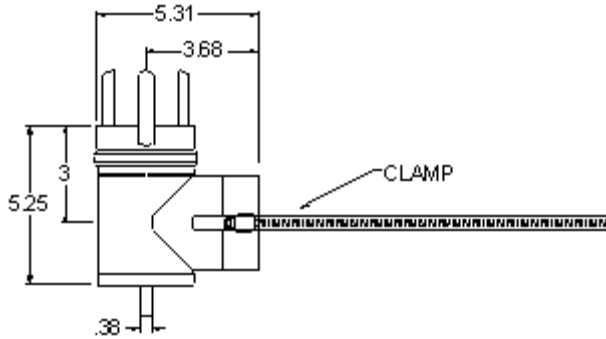
## 3" Weil-McLain Adapters — Adapters for Weil-McLain appliances.



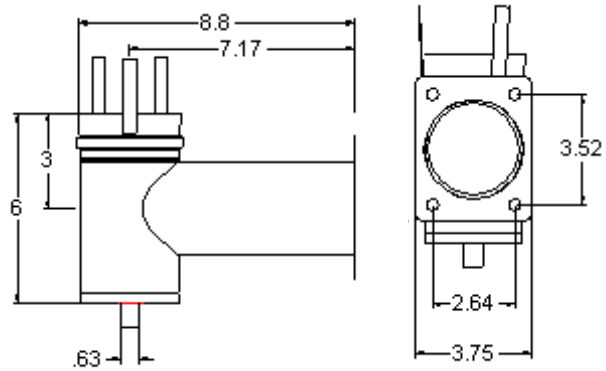
**93WMSTLH**



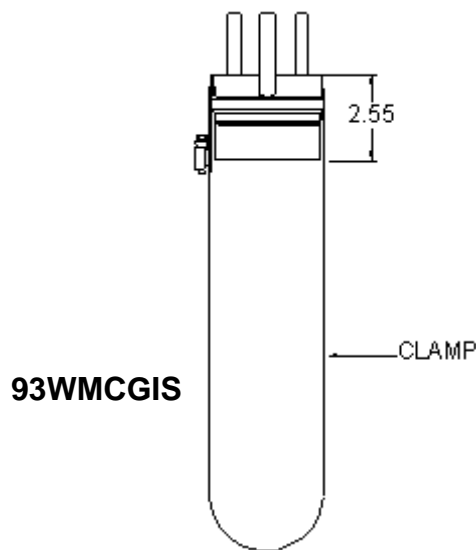
**93WMSTLV**



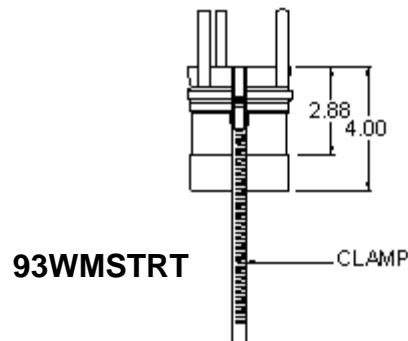
**93WMSTEE**



**93WMSTXL**



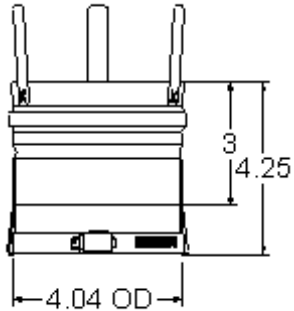
**93WMCGIS**



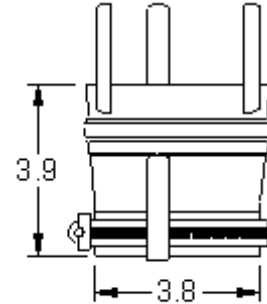
**93WMSTRT**

# Saf-T Vent<sup>®</sup> Appliance Adapters

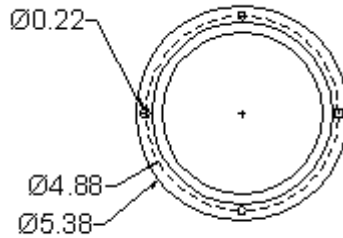
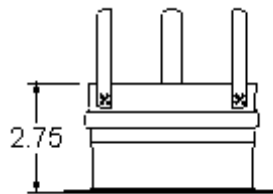
**4" Adapters** —Adapters for appliances with 4" flue collars.



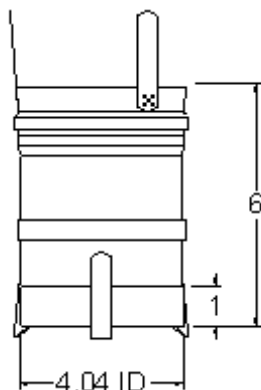
**9401AMTK**



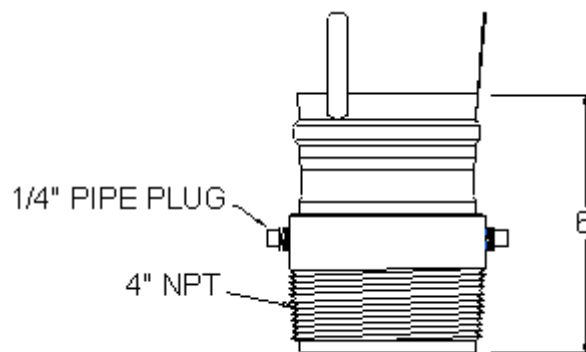
**9401CPVC**



**9401CRWN**



**9401DUN**

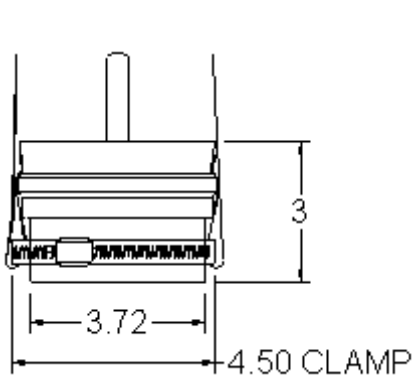


**9401FUL**

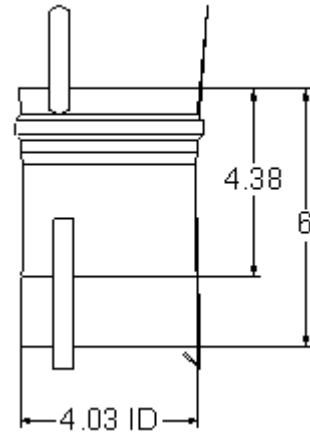
# Saf-T Vent<sup>®</sup> Appliance Adapters

---

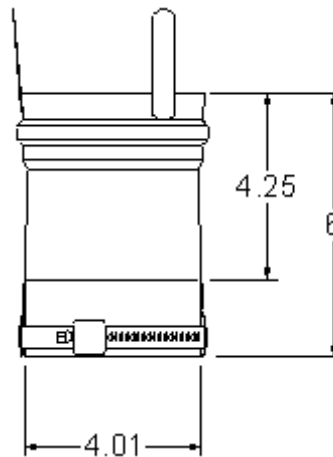
**4" Adapters** —Adapters for appliances with 4" flue collars.



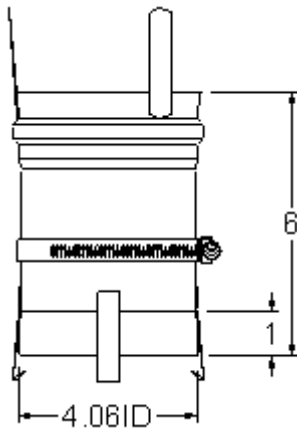
**9401ICP**



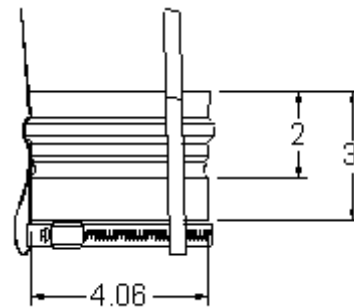
**9401MES**



**9401JVI**



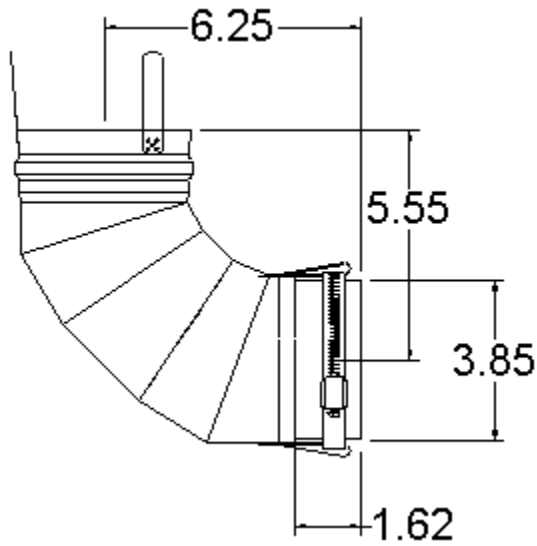
**9401PVI**



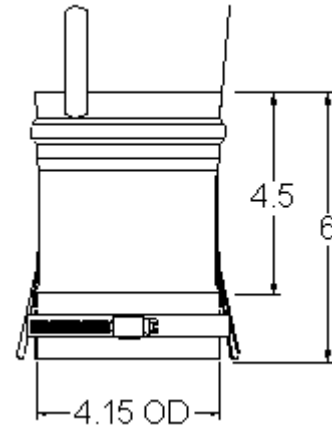
**9401RHM**

# Saf-T Vent<sup>®</sup> Appliance Adapters

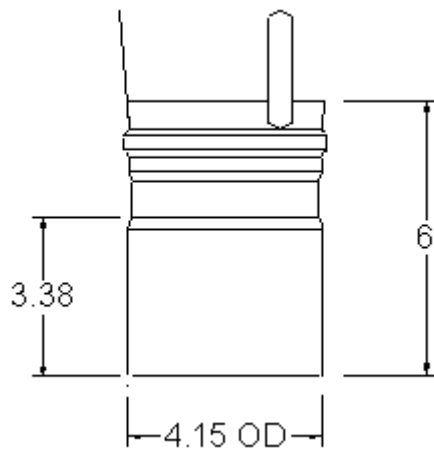
**4" Adapters** —Adapters for appliances with 4" flue collars.



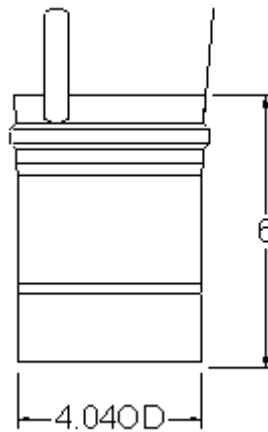
**9414SMI**



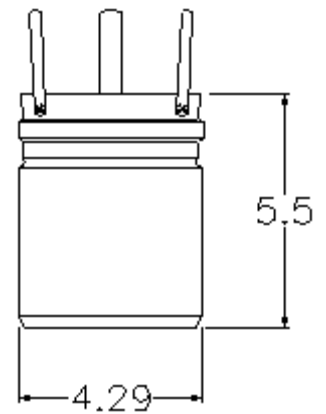
**9401UTI**



**9401SRI**



**9401VAIL**



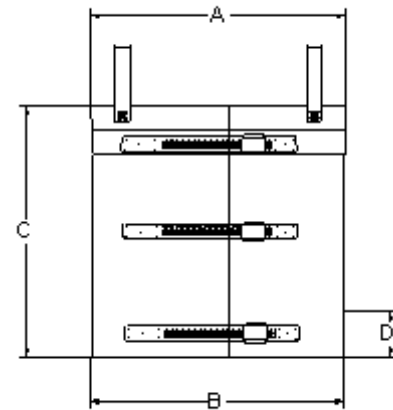
**9401VSMN**



# Saf-T Vent® Appliance Adapters

**Over-the-Flue-Collar Appliance Adapter** — A generic flue collar adapter used on appliances with vent outlets that are slightly out-of-round or of irregular diameters. The split-seam design allows the adapter to clamp around irregular or inconsistent flue collars while still providing a secure connection to Saf-T Vent systems.

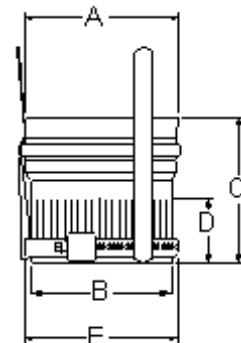
Part Number	DIM - A Nominal Diameter	DIM - B Minimum Flue Collar Diameter	DIM - C Installed Length	DIM - D Minimum Recommended Interface Length
5301BOI	3	2.85	8	1.5
5401BOI	4	3.75	8	1.5
5501BOI	5	4.75	8	1.5
5601BOI	6	5.75	8	1.5
5701BOI	7	6.75	8	1.5
5801BOI	8	7.75	8	1.5
5901BOI	9	8.75	8	1.5
51001BOI	10	9.75	8	1.5
51201BOI	12	11.75	8	1.5
51401BOI	14	13.75	8	1.5
51601BOI	16	15.75	8	1.5



**Over-the-Flue-Collar  
Appliance Adapter**

**Into-the-Flue-Collar Appliance Adapter** — A generic flue collar adapter used on appliances with vent outlets with a nominal inside diameter. The crimped portion of this adapter is inserted into the flue collar while the hose clamp is tightened around the outside to create a mechanical joint.

Part Number	DIM - A Nominal Diameter	DIM - B Male End Crimp O.D.	DIM - C Overall Length	DIM - D Crimp Length	DIM - E Maximum Clamp Diameter
9363	3	2.9	4	0.75	3.5
9464	4	3.9	4	1.75	4.5
9565	5	4.9	4	1.75	5.5
9666	6	5.9	4	1.75	6.5
9767	7	6.9	4	1.75	7.5
9868	8	7.9	4	1.75	8.5

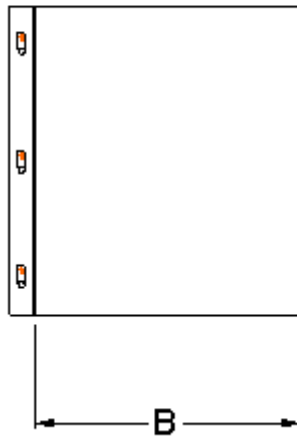
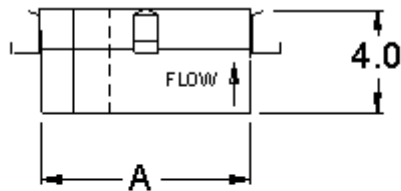


**Into-the-Flue-Collar  
Appliance Adapter**

# Saf-T Vent<sup>®</sup> Appliance Adapters

**Universal Boiler Adapter**— Used horizontally or vertically to adapt Saf-T Vent CI Plus to nominal diameter flue collars, it can also adapt to boiler collars that are slightly out of round. The adapter comes with a joint locking strap, boiler collar clamp and a 8" coupler band.

Part Number	DIM - A Nominal Inner Diameter	DIM - B Nominal Diameter Outer Jacket
CCA05ADUV	5	7.3
CCA06ADUV	6	8.3
CCA07ADUV	7	9.3
CCA08ADUV	8	10.3
CCA09ADUV	9	11.3
CCA10ADUV	10	12.3
CCA12ADUV	12	14.3
CCA14ADUV	14	16.3
CCA16ADUV	16	18.3
CCA18ADUV	18	20.3
CCA20ADUV	20	22.3
CCA22ADUV	22	24.3
CCA24ADUV	24	26.3
CCA26ADUV	26	28.3
CCA28ADUV	28	30.3
CCA30ADUV	30	32.3
CCA32ADUV	32	34.3

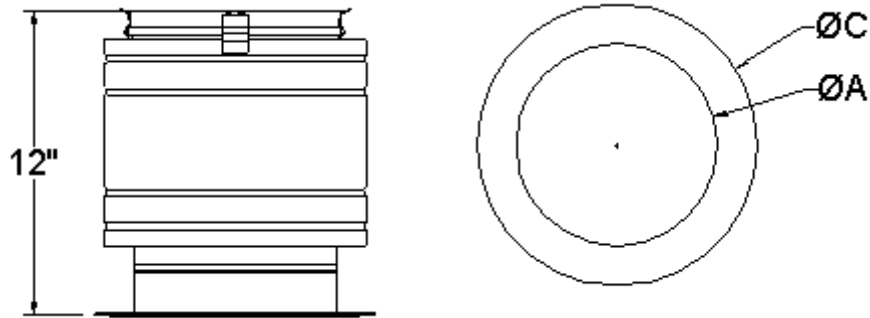


# Saf-T Vent<sup>®</sup> Appliance Adapters

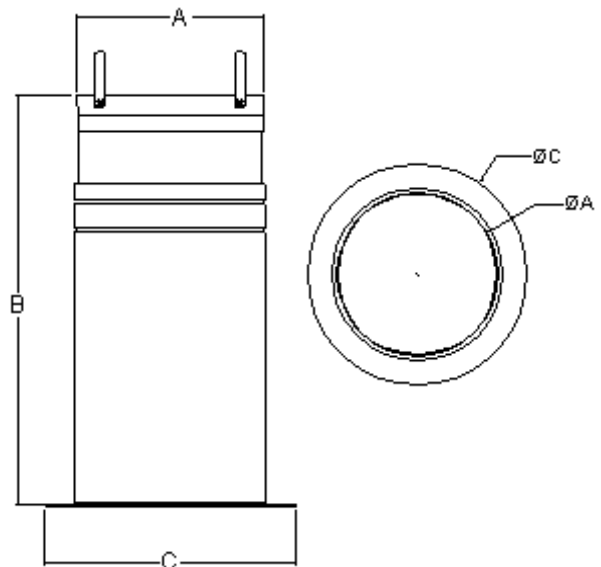
**Flange-Type Appliance Adapter** — A generic adapter used on appliances with a vent outlet that includes a bolted-on flange connection. Bolt holes and hardware are provided by the installer. Custom bolt hole patterns can be provided for an additional charge. Each Saf-T Vent CI Plus appliance adapter comes standard with a 8" long and a 5" long Saf-T Vent CI Coupler, the Saf-T Vent CI appliance adapter comes standard with a 12" long Saf-T Vent CI Coupler.

Part Number	DIM - A Nominal Diameter	DIM - B Installed Length	DIM - C Flange Diameter
CCA05ADFL	5	12	8
CCA06ADFL	6	12	9
CCA07ADFL	7	12	10
CCA08ADFL	8	12	11
CCA09ADFL	9	18	12
CCA10ADFL	10	12	13
CCA12ADFL	12	12	15
CCA14ADFL	14	12	17
CCA16ADFL	16	12	19

Note: Bolt Holes are to be field installed.



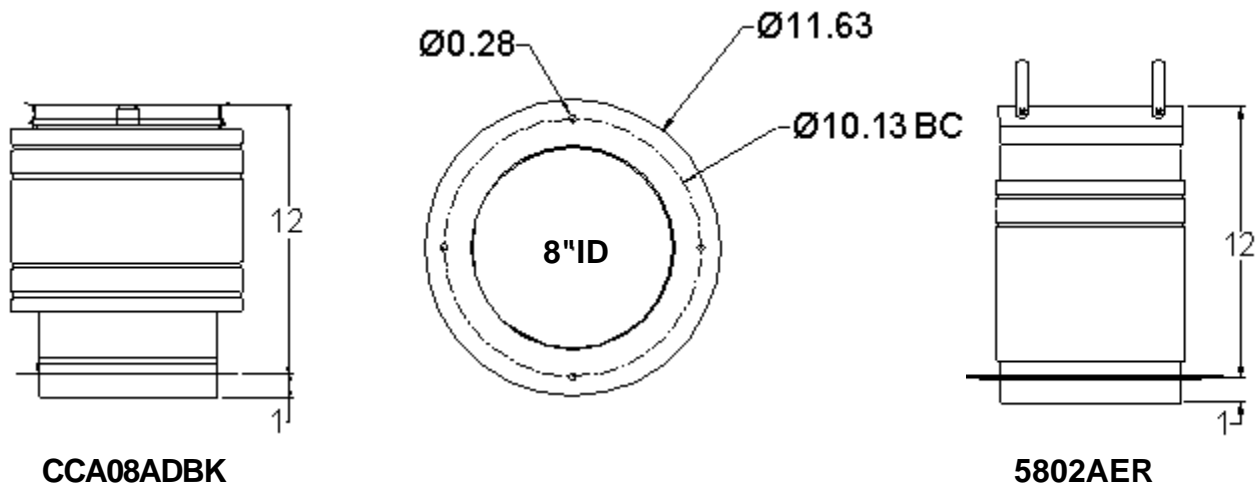
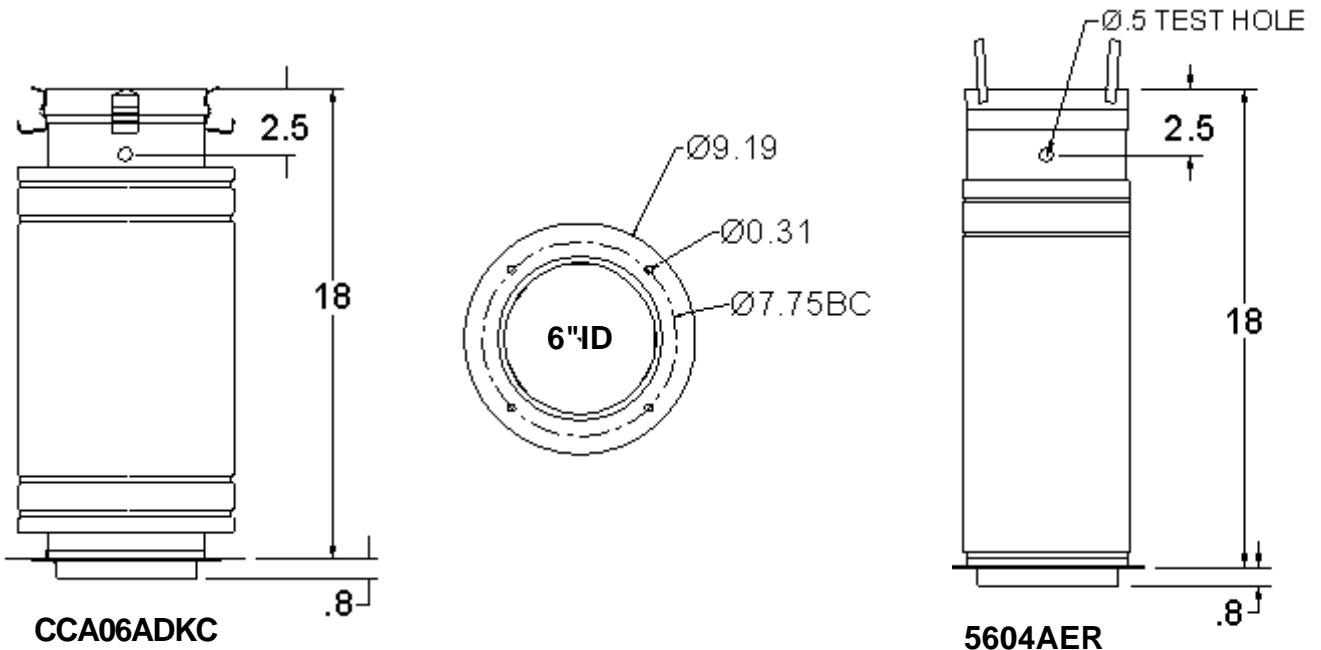
Part Number	DIM - A Nominal Diameter	DIM - B Installed Length	DIM - C Flange Diameter
5804BOI	8	18	11
5904BOI	9	18	12
51004BOI	10	18	13
51204BOI	12	18	15
51404BOI	14	18	17
51604BOI	16	18	19



# Saf-T Vent<sup>®</sup> Appliance Adapters

## Aerco Adapter — Adapters for Aerco appliances.

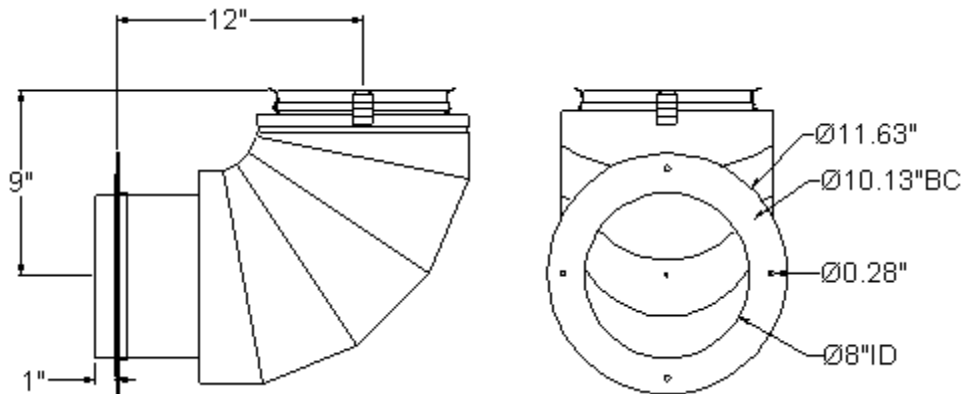
Part Number	Nominal Diameter	Installed Length	Flange Diameter	Bolt Centers
5604AER	6	18	9.19	7.75
5802AER	8	12	11.63	10.13
CCA06ADKC	6	18	9.19	7.75
CCA08ADBK	8	12	11.63	10.13



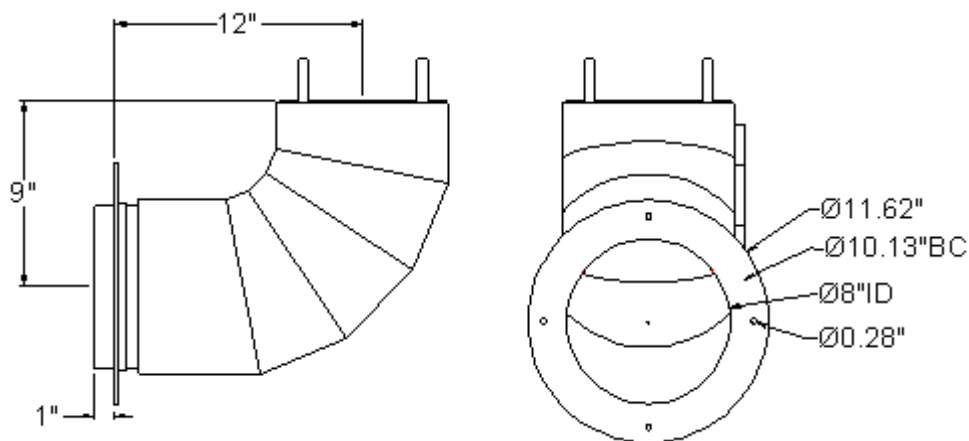
# Saf-T Vent<sup>®</sup> Appliance Adapters

**Aerco Elbow Adapter** —90° elbow adapters for Aerco appliances. Note: To avoid water system supply and return piping, this fitting must be rotated from the vertical position.

Part Number	Nominal Diameter	Installed Length	Flange Diameter	Bolt Centers
5814AER	8	12	11.63	10.13
CCA08ADBK90	8	12	11.63	10.13



**CCA08ADBK90**

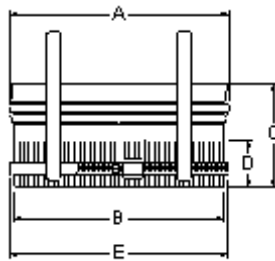


**5814AER**

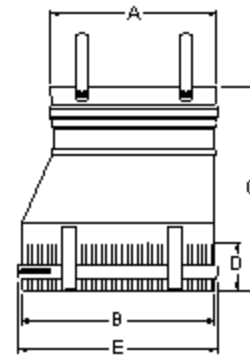
# Saf-T Vent<sup>®</sup> Appliance Adapters

**Buderus Appliance Adapter** — This adapter is specially designed to connect directly into the vent outlet of Buderus SB Series boilers. The hose clamp is tightened around the outside of the flue collar to create a mechanical joint.

Part Number	DIM - A Nominal Diameter	DIM - B Male End Crimp O.D.	DIM - C Overall Length	DIM - D Crimp Length	DIM - E Maximum Clamp Diameter
9601SB*	6	7.18	7.5	1.75	7.5
9801SB	8	7.9	4.0	1.75	8.5
91001SB	10	9.9	4.0	1.75	10.5
91201SB	12	11.9	4.0	1.75	12.5
91401SB	14	13.9	4.0	1.75	14.5

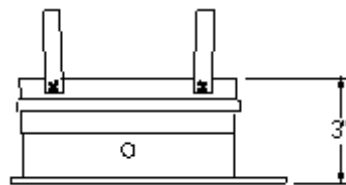


**Buderus SB Boiler Adapter**

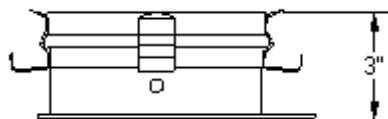


**\*9601SB**

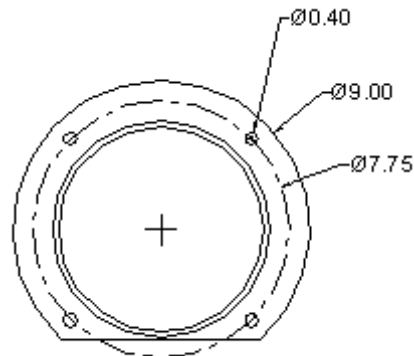
**Hydrotherm Adapter** — This adapter is specially designed to connect directly to the vent outlet of the Hydrotherm KN-10.



**9601KN10**



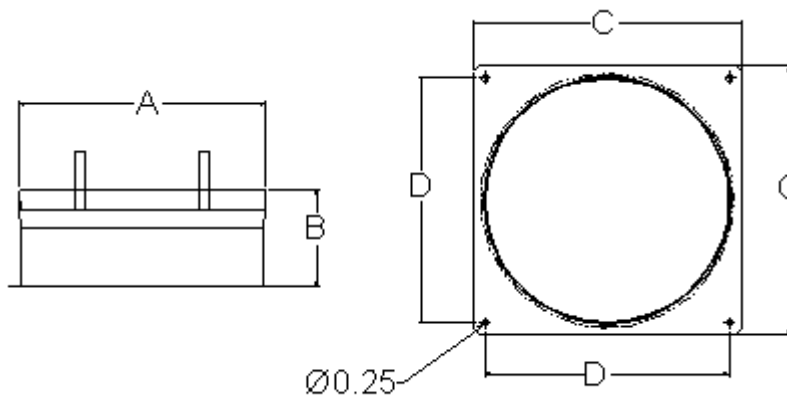
**CCA06ADKN**



# Saf-T Vent<sup>®</sup> Appliance Adapters

**Laars MightyMax Adapter** — This adapter is specially designed to connect directly to the vent outlet of a Laars MightyMax Boiler. This part is supplied by Laars Heating Systems with MightyMax Boilers that require AL 29-4C<sup>®</sup> venting.

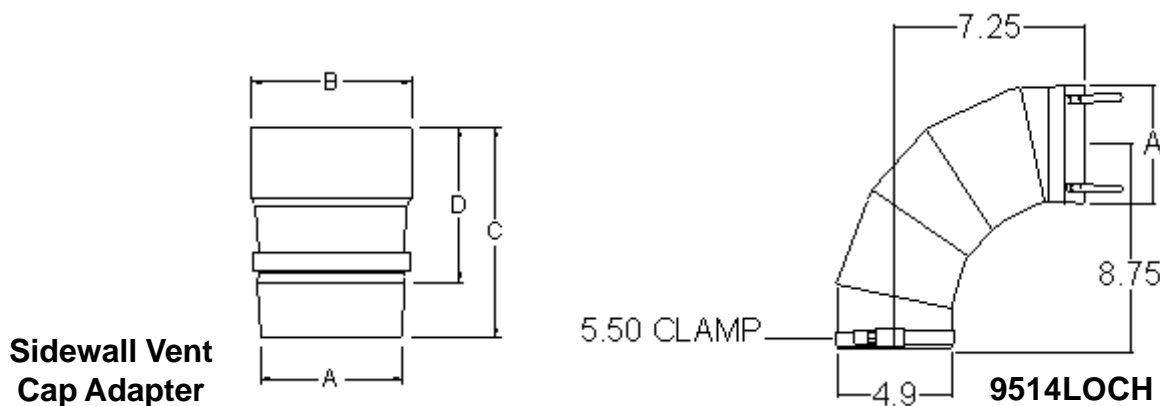
Part Number	DIM - A Nominal Diameter	DIM - B Installed Length	DIM - C Plate Size	DIM - D Bolt Centers
9601LARS	6	4	7	6
9701LARS	7	4	8	7
9801LARS	8	4	9	8
9901LARS	9	4	10	9
91001LARS	10	4	11	10



**Laars Adapter**

**Lochinvar Adapter** —Adapters for Lochinvar appliances.

Part Number	DIM - A Nominal Diameter	DIM - B Diameter	DIM - C Overall Length	DIM - D Installed Length	Use
9454LOCH	4	4.5	6	4.38	Sidewall Vent Cap Adapter
9555LOCH	5	5.5	6	4.38	Sidewall Vent Cap Adapter
9514LOCH	5				Appliance Adapter

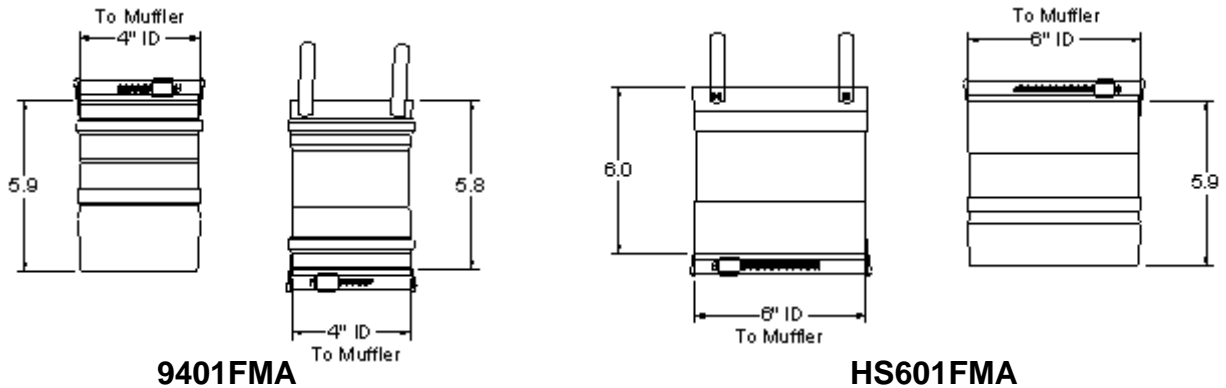


**Sidewall Vent  
Cap Adapter**

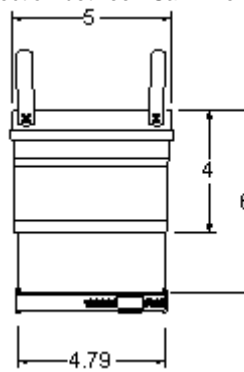
**9514LOCH**

# Saf-T Vent<sup>®</sup> Appliance Adapters

**Fulton Muffler Adapters** —These adapters make the connection between Saf-T Vent products and Fulton Exhaust Mufflers. The 4" diameter has Saf-T Vent EZ Seal ends and the 6" diameter is made of heavy wall material and has non-gasketed Saf-T Vent ends.

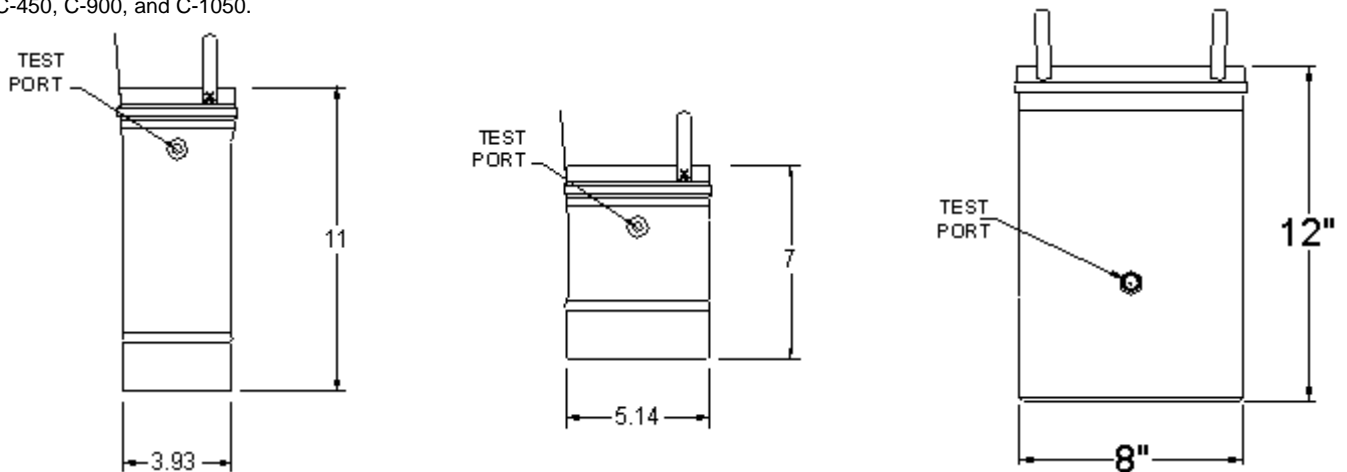


**Noritz Adapter** —This adapter makes the connection between Saf-T Vent products and Noritz water heaters that require 5" diameter vent.



**9501NOR**

**P-K Mach Adapter** —This adapter is specially designed to connect directly to the vent outlet of P-K Mach Boilers, Series C-300, C-450, C-900, and C-1050.



**9401MACH Adapter**

**9501MACH Adapter**

**9801MACH Adapter**

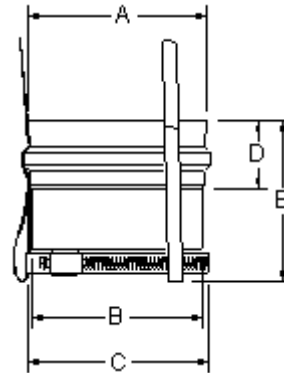


# Saf-T Vent<sup>®</sup> Appliance Adapters

**Raypak Boiler Adapter** — This adapter is specially designed to connect directly into the vent outlet of Raypak's ADB or High Delta boilers. The hose clamp is tightened around the outside of the flue collar to create a mechanical joint.

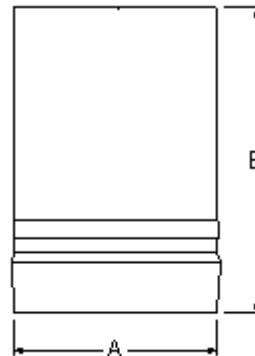
Part Number	DIM - A Nominal Diameter	DIM - B Flue Collar I.D.	DIM - C Hose Clamp Diameter	DIM - D Installed Length	DIM - E Overall Length
9401RYPK	4	4	4.5	1.50	3.75
9501RYPK	5	5	5.5	1.50	3.75
9601RYPK	6	6	6.5	1.50	3.75
9801RYPK	8	8	8.5	1.50	3.75
9901RYPK	9	9	9.5	1.50	3.75
91001RYPK	10	10	10.5	1.50	3.75
91201RYPK	12	12	12.5	1.50	3.75
91401RYPK	14	14	14.5	1.50	3.75
91601RYPK	16	16	16.5	1.50	3.75

**Raypak Boiler Adapter**



**Raypak Vent Cap Adapter** — This adapter makes the connection between Saf-T Vent products and Raypak's Flue Exhaust Vent Cap.

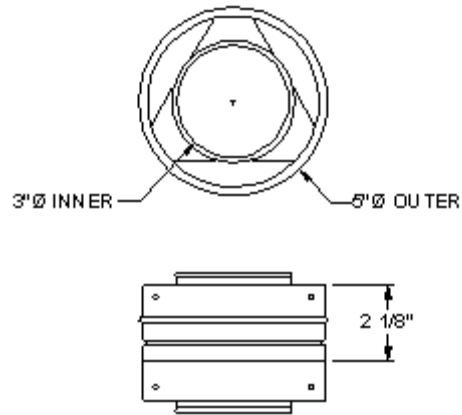
Part Number	DIM - A Nominal Diameter	DIM - B Overall Length
9490RYPK	4	9
9590RYPK	5	9
9690RYPK	6	9
9890RYPK	8	9
9990RYPK	9	9
91090RYPK	10	9
91290RYPK	12	9
91490RYPK	14	9
91690RYPK	16	9



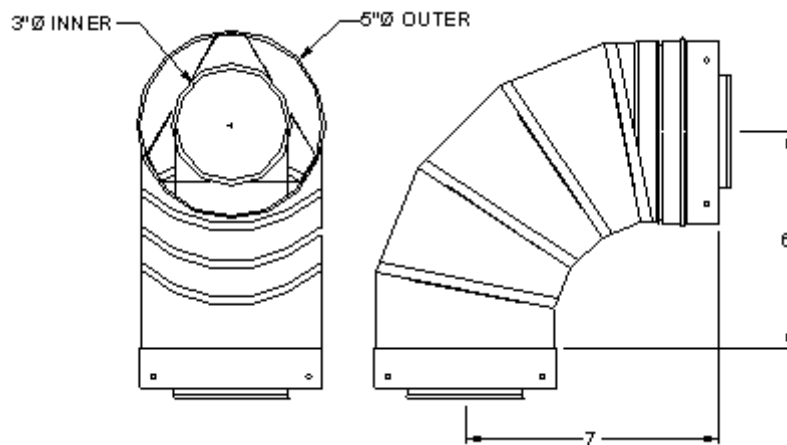
**Raypak Vent Cap Adapter**

# Saf-T Vent<sup>®</sup> Appliance Adapters

**Rinnai Appliance Adapters** — The straight adapter, SC03AD01, or elbow adapter, SC3AD01E, is specially designed to connect directly into the vent outlet of the Rinnai Continuum model V2532.



**SC03AD01**  
**Straight Adapter**



**SC03AD01E**  
**Elbow Adapter**

# Saf-T Vent<sup>®</sup> Appliance Adapters

---

## Appliance Makes and Models:

### General Notes:

The following appendix includes adapters from all of Heat-fab's Saf-T Vent brands ; EZ Seal, SC, CI, and CI Plus.

Adapters are listed by the appliance manufacturer.

Heat-fab Saf-T Vent adapters are compatible with all of Saf-T Vent brands pipes and fittings.

CI to EZ Seal, for more details please refer to Technical Bulletin # 11719.

CI or EZ Seal to CI Plus requires an adapter, refer to publication PI-CCADKT.

CI Plus to CI or EZ Seal requires an adapter also, refer to publication PI-CCADSV.

### Terms:

**Burnham Vent ONLY** – The only AL 29-4C vent approved for this late-model appliance is Burnham's proprietary venting system. Contact Burnham Corporation for a local supplier.

**Call Heat-fab** – At the time of publication an appliance adapter had not been determined. Please call Heat-fab at 800-772-0739 for our current recommendation.

**Factory Accessory (HF)** – This is an accessory supplied by the Appliance Manufacturer for some venting configurations. The vent connection on the accessory is equipped with Heat-fab's standard female end. No separate adapter is required.

**Factory Supplied (Gen.)** – The appliance is shipped with a generic flue collar that will accept a standard male end of a Heat-fab Saf-T Vent product. No separate adapter is required.

**Factory Supplied (HF)** – The appliance's flue collar is equipped with Heat-fab's standard female end. No separate adapter is required.

**Vent Kit (HF)** – A standard vent kit for this model is available from Heat-fab.

**Vent Kit (Mfg.)** – A standard vent kit for this model is available from the Appliance Manufacturer.

### Don't See Your Appliance?

If your appliance is not listed, please give us a call at 800-772-0739. We'll work with you and the Appliance Manufacturer to find a solution.

## Heat-fab, Inc.

---

130 Industrial Boulevard • Turners Falls, MA 01376  
Phone 800 772 0739 • Fax 413 863 4803 • [www.heat-fab.com](http://www.heat-fab.com)

# Saf-T Vent® Appliance Adapters

Manufacturer	Make & Model	Flue Collar Diameter	Adapter Part #	Page
Aerco International	KC1000 Series (KC-1000 thru KC1000-8)	6	5604AER or CCA06ADKC	14
	Benchmark (BMK 2.0) Series (BM/2000 thru BM/2000-8)	8	5802AER, CCA08ADBK (straight), or 5814AER, CCA08ADBK90 (90° elbow)	14
Ajax	Atlas Goldstar GS-10-A01G	6	Factory Supplied (HF)	
	Atlas Goldstar GS-15-A01G	8	Factory Supplied (HF)	
A.O. Smith Water Products	Genesis GB & GW-200	4	9464	10
	GB & GW -300	5	9565	10
	GB&GW-400 & -500	6	9666	10
	GB & GW -650 & -750	8	9868	10
	GB & GW 1000	10	5100BOI or CCA10ADUV	10 & 11
	GB & GW-1300 & -1500	12	51201BOI or CCA12ADUV	10 & 11
	GB & GW-1850 & -2100	14	51401BOI or CCA14ADUV	10 & 11
	GB & GW-2500	16	51601BOI or CCA16ADUV	10 & 11
	Legend 2000 LB & LW-500, -750	6	Factory Supplied (HF)	
	LB & LW-1000	7	Factory Supplied (HF)	
	Pro Star XT 19400	4	9401RYPK	18
Bard Mfg.	IH, IC, IL, ISG, & MPG Gas Furnaces	3	9363 for 3" dia. Vent	10
		4	9464 for 4" dia. vent	10
Beacon/Morris	BRU / BTU 100 - 250	5	9565	10
	BRU / BTU 300 - 400	6	9666	10
Bosch	AquaStar 125FX	4	9464	10
	AquaStar 240FX	4	9464	11
	AquaStar 250SX	3	9301BSH	5
	Pro Tankless GWH-635-ES	3	9301BSH	5
Buderus	GA124 17, 23, 30	3	9301AMTK	3
	GA244 37, 44, 53	3	9301AMTK	3
	G124X 18, 25, 32	3	9301AMTK	3
	GA244 62	4	9401AMTK	7
	G-515 Series Cast Iron Boilers	10	51001BOI or CCA10ADUV	10 & 11
	G-605 Series Cast Iron Boilers	14	51401BOI or CCA14ADUV	10 & 11
	SB615 145, 185	6	9601SB	15
	SB615 240, 310	8	9801SB	15
	SB615 400	10	91001SB	15
	SB615 510, 640	12	91201SB	15
	SB735-790/970/1200	14	91401SB	15
	GB142	3	9301CPVC	5

# Saf-T Vent® Appliance Adapters

Manufacturer	Make & Model	Flue Collar Diameter	Adapter Part #	Page
Burnham	Revolution Series	3	9353BUREZ	3
	Series 2PV	3	9353BUREZ	3
	Spirit Series	3	9353BUREZ	3
	Independence PV Series	3	Burnham Vent ONLY	
	Minuteman Series	3	Burnham Vent ONLY	
	XG2000A Series	3	Burnham Vent ONLY	
Camus	Dynaflame 500	6	5601BOI or CCA06ADUV	10 & 11
	Dynaflame 750, 1100	8	5801BOI or CCA08ADUV	10 & 11
	Dynaflame 1500, 1750	10	51001BOI or CCA10ADUV	10 & 11
	Dynaflame 2000, 2500, 3000	12	51201BOI or CCA12ADUV	10 & 11
Cleaver Brooks	Clearfire MCF-750	10	51001BOI or CCA10ADUV	10 & 11
	Clearfire MCF-1000	10	51001BOI or CCA10ADUV	10 & 11
	Clearfire MCF-1500	12	51201BOI or CCA12ADUV	10 & 11
	Clearfire MCF-1800	12	51201BOI or CCA12ADUV	10 & 11
Columbia Boiler	CDV38 thru CDV125	3	9301UTI	3
	CDV150 thru CDV200	4	9401UTI	9
	LVGD90-120	4	9464	10
Comfortmaker	GUA or GDA Series 40, 60, 80	3	9301ICP	3
	GUA or GDA Series 100, 120	4	9401ICP	8
Crown Boiler	Bali BWF 061-162	3	9301CRWN	3
	Bali BWF 195-229	4	9401CRWN	7
	Cabo CSC-50 thru CSC-150	3	9301CRWN	3
	Cabo CSC-175 and CSC-200	4	9401CRWN	7
	CXE-2 thru CXE-5	3	9301THI	3
	CXE-6 and CXE-7	4	9464	10
	XE Series (XE-2 thru XE-5)	4	9401DUN	7
Dunkirk Radiator	XE Series (XE-2 thru XE-5)	4	9401DUN	7
	XEB-2 thru XEB-5	3	9301THI	3
	XEB-6 and XEB-7	4	9464	10
Frigidaire	see Nordyne			
Fulton Boiler Works	PulsePak PHW-300, 500, 750, 950, 1000 (on/off)	4	9401FUL	7
	PulsePak PHW-300, 500, 750, 950, 1000, 1400 (modulating)	4	Factory Supplied (Gen.)	
	Pulse PHW-2000	6	Factory Supplied (Gen.)	
	Vantage 3000	12	51201BOI or CCA12ADUV	10 & 11
	4" Fulton Exhaust Muffler	4	9401FMA	17
	6" Fulton Exhaust Muffler	6	HS601FMA	17

# Saf-T Vent® Appliance Adapters

Manufacturer	Make & Model	Flue Collar Diameter	Adapter Part #	Page
Gasmaster Industries	GMI 200, 300, 400	4	5401BOI	10
	GMI 600	6	5601BOI or CCA10ADUV	10 & 11
	GMI 800, 1M	8	5801BOI or CCA8ADUV	10 & 11
	GMI 1.5M, 2M	12	51201BOI or CCA12ADUV	10 & 11
	GMI 4M	18	51801BOI or CC18ADUV	10 & 11
Gibson	see Nordyne			
Hatco Corporation	Powermite PMG-100 & -200	4	5401BOI	10
Hayward Pool Prod.	H250IDL(P) & H400IDL(P)	6	Factory Supplied ( HF )	
H. B. SMITH	PVG-2 thru PVG-5	4	9401DUN	7
	PVGA-2 thru PVGA-5	3	9301THI	3
	PVGA-6 and PVGA-7	4	9464	10
Hobart Corporation	IB57 & IB140 Booster Heater	3	9363	10
	IB235 & IB290 Booster Heater	4	9464	10
Hydrotherm	HI-85/50B, HI-125/75B, HI-165/100B)	4	9401MES	8
	ID-85A, ID-125A, ID-165A	4	9401MES	8
	Innova IHS-40 thru IHS-160	4	9401MES	8
	Sabre FX - 70, 105, and 140	3	9314SMI	5
	FX - 175 and 200	4	9414SMI	9
	KN -10	6	9601KN (Factory Supplied) or CCA06ADKN	15
	KN -6	6 to 5	Factory Supplied ( HF )	
	KN -20	9	Factory Supplied ( HF )	
International Comfort Products (ICP)	GUA or GDA Series 40, 60, 80	3	9301ICP	3
	GUA or GDA Series 100, 120	4	9401ICP	8
Laars Heating Systems	Endurance EBP, EDN, & EDP (all sizes)	3	SC Vent Kit (Mfg.) or 9301THI	3
	Heatmaker H,HP, & HW (all sizes)	3	9301THI	3
	Mini-Therm JVi JVH/JVP 50 -225	4	9401JVI	8
	Mini-Combo id	4	5401BOI	10
	Summit	3	9301CPVC	5
	Rheos 1200, 1600 or Rheos Plus 1200, 1600	6	5601BOI or CCA06ADUV	10 & 11
Rheos 2000 or Rheos Plus 2000	7	5701BOI or CCA07ADUV	10 & 11	
Rheos 2400 or Rheos Plus 2400	10	51001BOI or CCA10ADUV	10 & 11	

# Saf-T Vent® Appliance Adapters

Manufacturer	Make & Model	Flue Collar Diameter	Adapter Part #	Page
Laars Heating Systems	Pennant 500 (Cat I, III, & Sidewall)	6	5601BOI or CCA06ADUV	10 & 11
	Pennant 750 (Cat. I)	8	5801BOI or CCA08ADUV	10 & 11
	Pennant 750 (Cat. II & Sidewall)	6	5601BOI or CCA06ADUV	10 & 11
	Pennant 1000 (Cat. I)	10	51001BOI or CCA10ADUV	10 & 11
	Pennant 1000 (Cat. II & Sidewall)	8	5801BOI or CCA08ADUV	10 & 11
	Pennant 1500 (Cat. I)	12	51201BOI or CCA12ADUV	10 & 11
	Pennant 1500 (Cat. II & Sidewall)	10	51001BOI or CCA10ADUV	10 & 11
	Pennant 2000 (Cat. I)	14	51401BOI or CCA14ADUV	10 & 11
	Pennant 2000 (Cat. II & Sidewall)	12	51201BOI or CCA12ADUV	10 & 11
		MightyMax Series		
	HH,PH,PW, & VW 0320M	6	9601LARS *	16
	HH,PH,PW, & VW 0400M	7	9701LARS *	16
	HH,PH,PW, & VW 0520M	8	9801LARS *	16
	HH,PH,PW, & VW 0625M	8	9801LARS *	16
	HH,PH,PW, & VW 0775M	9	9901LARS *	16
	HH,PH,PW, & VW 1000M	10	91001LARS *	16
	* Available from Laars Heating Systems for appliances being vented with AL294C.			
Lennox	CMWB-2 thru CMWB-5	3	9301THI	3
	CMWB-6 and CMWB-7	4	9464	10
	CXE-2 thru CXE-5	4	9401DUN	7
	CXEB-2 thru CXEB-5	3	9301THI	3
	CXEB-6 and CXEB-7	4	9464	10
Lochinvar	Copper-Fin II CF & CH 300	5	5501BOI or CCA05ADUV	10 & 11
	CF & CH 401, 501	6	5601BOI or CCA06ADUV	10 & 11
	CF & CH 651, 751	8	5801BOI or CCA08ADUV	10 & 11
	CF & CH 990	10	51001BOI or CCA10ADUV	10 & 11
	CF & CH 1260, 1440	12	51201BOI or CCA12ADUV	10 & 11
	CF & CH 1800, 2070	14	51401BOI or CCA14ADUV	10 & 11
	Efficiency+ EB/EW/EP 100	3	9363	10
	EB/EW/EP 150 and 200	4	9464	10
	EB/EW/EP 250 and 300	5	9565 or 9514LOCH	10 & 16
	Efficiency+ Sidewall Vent Cap Adapter	4	9454LOCH	16
	Efficiency+ Sidewall Vent Cap Adapter	5	9555LOCH	16
	Intelli-Fin IBL & IBN 1500	6	5601BOI or CCA06ADUV	10 & 11
	Intelli-Fin IBL & IBN 1700	7	5701BOI or CCA07ADUV	10 & 11
	Intelli-Fin IBL & IBN 2000	8	5801BOI or CCA08ADUV	10 & 11
	Power-Fin PB & PF Series 0250	5	5501BOI or CCA05ADUV	10 & 11
	PB & PF Series 0500/0501	7	5701BOI or CCA07ADUV	10 & 11
	PB & PF Series 0750/0751	9	5901BOI or CCA09ADUV	10 & 11
	PB & PF Series 1000/1001	10	51001BOI or CCA10ADUV	10 & 11
	PB & PF Series 1300	12	51201BOI or CCA12ADUV	10 & 11
	PB & PF Series 1500	8	5801BOI or CCA08ADUV	10 & 11
PB & PF Series 1700	8	5801BOI or CCA08ADUV	10 & 11	
PB & PF Series 2000	10	51001BOI or CCA10ADUV	10 & 11	

Heat-fab, Inc.

130 Industrial Boulevard • Turners Falls, MA 01376  
Phone 800 772 0739 • Fax 413 863 4803 • www.heat-fab.com

# Saf-T Vent® Appliance Adapters

Manufacturer	Make & Model	Flue Collar Diameter	Adapter Part #	Page
Modine	Hot Dawg HD30 thru HD75	3	9301MOD	4
	Hot Dawg Vent Cap Adapter	3	9302MOD	4
New Yorker	PVCG Series (30 thru 60)	3	9353BUREZ	3
Nordyne	FG6RA-045	3	9363	10
	FG6RA-060 THRU -120	4	9464	10
	FG6RA-144	5	9565	10
	FG6RAK (all models)	4	9464	10
Noritz	N-042	3	9301PAL	4
	N-063S, N-069M, N-084M, N-084M-DV	4	9401RYPK	18
	N-132	5	9501NOR	17
Nortec	GHB / GHP / GHMC 100	3	9301AMTK	3
	GHB / GHP / GHMC 200 and 400	4	9401AMTK	7
Paloma Industries	PH-16UFN, PH-16UFH, PH-16FS	3	9301PAL	4
	PH-28RIFS	4	9401RHM	8
Patterson-Kelley, Co.	Modu-Fire N1000	10	51001BOI or CCA10ADUV	10 & 11
	Modu-Fire N1500 & N2000	12	51201BOI or CCA12ADUV	10 & 11
	Pulsar PO 350, 500	5	5501BOI or CCA05ADUV	10 & 11
	Thermific 700, 900, 1200	10	51001BOI or CCA10ADUV	10 & 11
	Thermific 1500, 1700, 1900	12	51201BOI or CCA12ADUV	10 & 11
	Mach C - 300	4	9401MACH	17
	Mach C - 450	5	9501MACH	17
	Mach C - 750	6	Factory Supplied (HF)	
	Mach C - 900	8	9801MACH	17
Mach C - 1050	8	9801MACH	17	
Peerless Heater	DE Series (all models)	3	9301AMTK	3
	PDE Series (all models)	3	93PLSTEE	4
	PDE Vent Cap Adapter	3	9302PL	4
	PSC Series (all models)	3	9301AMTK	3
Pennco	FS Series (FS-2 thru FS-5)	4	9401DUN	7
	FSB-2 thru FSB-5	3	9363	10
	FSB-6 and FSB-7	4	9464	10
Pentair Pool Products	Mini Max NT & Low NOX	4 or 5	5401BOI or 5501BOI	10 & 11
Precision Temp	PT-200 Gas Booster Heater	4	9464	10
PVI Industries	Power VT (all models)	4	9401PVI	8



# Saf-T Vent® Appliance Adapters

Manufacturer	Make & Model	Flue Collar Diameter	Adapter Part #	Page
Raypak	B-50 & B-130A Gas Booster Heater	3	9363	10
	B-195 Gas Booster Heater	4	9464	10
	Advanced Design Boiler (ADB)			
	ADB-500	6	9601RYPK	18
	ADB-750	8	9801RYPK	18
	ADB-1000 w/out CHX	9	9901RYPK	18
	ADB-1000 with CHX	10	91001RYPK	18
	ADB-1500	12	91201RYPK	18
	Hi Delta			
	122	4	9401RYPK	18
	162, 202, 242, 302	5	9501RYPK	18
	322, 402 and 502	6	9601RYPK	18
	652, 752, and 902	8	9801RYPK	18
	992	10	91001RYPK	18
	1262 and 1532	12	91201RYPK	18
	1802, 2002, and 2072	14	91401RYPK	18
	2342	16	91601RYPK	18
	Vent Cap Adapters (ADB , Hi-delta)			
		4	9490RYPK	18
		5	9590RYPK	18
		6	9690RYPK	18
		8	9890RYPK	18
		9	9990RYPK	18
	10	91090RYPK	18	
	12	91290RYPK	18	
	14	91490RYPK	18	
	16	91690RYPK	18	
RBI Water Heaters	Futera 65, 100, & 150	3	5301BOI	10
	Futera 200, 250, & 300	4	5401BOI	10
	Futera 350 & 400	5	5501BOI or CCA05ADUV	10 & 11
	Futera II 500, Futera III 500 & 750	6	5601BOI or CCA06ADUV	10 & 11
	Futera II 750, Futera III 1250 & 1500	8	5801BOI or CCA08ADUV	10 & 11
	Futera II 1000	9	5901BOI or CCA09ADUV	10 & 11
	Futera III 1000	7	5701BOI or CCA07ADUV	10 & 11
	Futera II 1250 & 1500, Futera III 1750 & 1950	10	51001BOI or CCA10ADUV	10 & 11
	Futera II 1750 & 1950	12	51201BOI or CCA12ADUV	10 & 11
	Futera II, III, LCD, & Dominator Exhaust Term Adapters	6	9690RYPK	18
		8	9890RYPK	18
		9	9990RYPK	18
	10	91090RYPK	18	
	12	91290RYPK	18	

# Saf-T Vent® Appliance Adapters

Manufacturer	Make & Model	Flue Collar Diameter	Adapter Part #	Page
Reznor	FT 30-65	4	9464	10
	BE & FE 25 -100	4	9464	10
	BE & FE 125 -250	5	9565	10
	BE & FE 300-400	6	9666	10
Rheem	Pronto! 4.2 / RTG-42	3	9301PAL	4
	PH28	4	9401RHM	8
	Pronto1 7.4 / RTG74	4	9401RHM	8
Rinnai	Continum	3	SC Vent Kit (HF), SC03AD01, SC03AD01E	19
Riverside Hydronics	Primera 400	6	5601BOI or CCA06ADUV	10 & 11
	Primera 750, 1000	8	5801BOI or CCA08ADUV	10 & 11
	Primera 1200,	10	51001BOI or CCA10ADUV	10 & 11
	Primera 1600, 2000	12	51201BOI or CCA12ADUV	10 & 11
Ruud	See Rheem			
Slant/Fin	Concept 21 Boiler (all models)	3	Factory Supplied (HF)	
	Prodigy 21 Boiler all models)	3	Factory Supplied (HF)	
	Victory Boiler (all models)	3	Factory Supplied (HF)	
	Victory II Boiler (all models)	3	Factory Supplied (HF)	
Smith Boiler	GV100W-3 thru GV100W-7	4	9401MES	8
	GS110-W-3, 4, and 5	3	9314SMI	5
	GS110-W-6, and 7	4	9414SMI	9
Snyder General Furnace	GUA or GDA Series 40, 60, 80	3	9301ICP	3
	GUA or GDA Series 100, 120	4	9401ICP	8
State Water Heater	Aurora Tankless	4	9401RYPK	18
Sta-Rite Industries	Max-E-Therm SR Pool and Spa Heater (SR200, SR333, SR400) (Kit 77707-0086 from Sta-Rite)	4	9401SRI	9
Sterling	TF 100 - 250	5	9565	10
	TF 300 - 400	6	9666	10
Stero Company	SIB140 Booster Heater	3	9363	10
	SIB235 & SIB290 Booster Heater	4	9464	10

# Saf-T Vent® Appliance Adapters

---

Manufacturer	Make & Model	Flue Collar Diameter	Adapter Part #	Page
Takagi	Flash-T-K2	4	9464	10
	Flash-T-KD20*	4	9464	10
	Mobius T-M1*	4	9464	10
	T-K1S, T-K2, & T-K Jr.*	4	9464	10
	* When using, TK-TV03, Back Flow Preventer on these models	4	9401AMTK	3
Tappan	see Nordyne			
Teledyne Laars	see Laars Heating Systems			
Thermal Solutions	Evolution EVH-250	3	Factory Supplied (HF)	
	Evolution EVH-500 & -750	4	Factory Supplied (HF)	
	Evolution EVH-1000,-1500,-2000	6	Factory Supplied (HF)	
	Evolution (Conventional Vent)			
	EVH-250	5	Factory Supplied (HF)	
	EVH-500	6	Factory Supplied (HF)	
	EVH-750	7	Factory Supplied (HF)	
	EVH-1000	9	Factory Supplied (HF)	
	EVH-1500	10	Factory Supplied (HF)	
EVH-2000	12	Factory Supplied (HF)		
Thermo-Dynamics	LMGD (all models)	4	9464	10
Trianco-Heatmaker	Heatmaker H, HP, & HW (all sizes)	3	9301THI	3
Triangle Tube	HM Series G Model 25 & 30	3	9301DEL	5
	Delta Performance (all models)	3	SC Vent Kit (Mfg.), EZ Vent Kit (Mfg.), or 9301DEL	5
Utica Boilers	DV & DVA -38 thru -125	3	9301UTI	3
	DV & DVA -150 thru -200	4	9401UTI	8
	DVB -50 thru -125	3	9301UTI	3
	DVB -150 thru -200	4	9401UTI	9
	USC Series Boiler (all sizes)	3	9301UTI	3
Vaillant	GA100PV & SC (all models)	3	9301VAIL	4
	GA92160PV	4	9401VAIL	9

# Saf-T Vent® Appliance Adapters

Manufacturer	Make & Model	Flue Collar Diameter	Adapter Part #	Page
Viessmann	Vitogas 050 ECV (all models)	3	9363	10
	Vitogas 100 GS10-72	8	5801BOI or CCA08ADUV	10 & 11
	Vitogas 100 GS10-84	9	5901BOI or CCA09ADUV	10 & 11
	Vitogas 100 GS10-96	10	51001BOI or CCA10ADUV	10 & 11
	Vitoden 200 WB2 6-24 & 8-32	3	9301VSMN	3
	Vitoden WB2 11-44 & 15 -60	4	9401VSMN	9
	Vertomat VSB-17, -22, -28	8	5801BOI or CCA08ADUV	10 & 11
	Vertomat VSB-37, -46, -57	10	51001BOI or CCA10ADUV	10 & 11
	Vertomat VSB-72, -89	12	51201BOI or CCA12ADUV	10 & 11
WaiWela	PH28RIFS & PH28CIFS	4	9401RHM	9
Weben Jarco	Vision 3000 750	6	Factory Supplied (HF)	
	Vision 3000 1000	8	Factory Supplied (HF)	
	Vision 3000 1500 & 2000	10	Factory Supplied (HF)	
	E-Finiti E_020	3	5301BOI	10
	E-Finiti E_040, E_060	4	5401BOI	10
	E-Finiti E_075, E_100	6	5601BOI or CCA06ADUV	10 & 11
	E-Finiti E_125, E_150	8	5801BOI or CCA08ADUV	10 & 11
	E-Finiti E_175, E_200	10	51001BOI or CCA10ADUV	10 & 11
Weil-McLain	Gold Series 3 & 4 (all models)	3	93WMSTXL	6
	Gold Series 2 (all models)	3	93WMSTRT (straight)	6
			93WMSTLH (horz. elbow)	
			93WMSTLV (vert. elbow)	
	CGi / CGs / CGt (all models)	3	93WMCGIS	6
	VHE Series (all models)	3	93WMSTEE	6
	Ultra Series	3	9301CPVC	5
Ultra Series	4	9401CPVC	7	
Westinghouse	see Nordyne			
Williamson-Thermoflo	Gwi / GWs (all models)	3	93WMCGIS	5

# Saf-T Vent<sup>®</sup> Appliance Adapters

---

**Notes:**

---

---