

NOTES:

1. ROUGH-IN DIMENSIONS MAY VARY ±1/4" (6.4mm).
2. WHEN INSTALLING THIS UNIT LOCAL, STATE OR FEDERAL CODES SHOULD BE ADHERED TO. FOR INSTALLATION HEIGHTS OTHER THAN SHOWN, DIMENSIONS MARKED (*) MUST BE ADJUSTED ACCORDINGLY.
3. REFER TO 5874SS/VRK5874 OPERATION AND MAINTENANCE MANUAL FOR PUSH BUTTON AND VALVE INSTALLATION/MAINTENANCE INSTRUCTIONS.

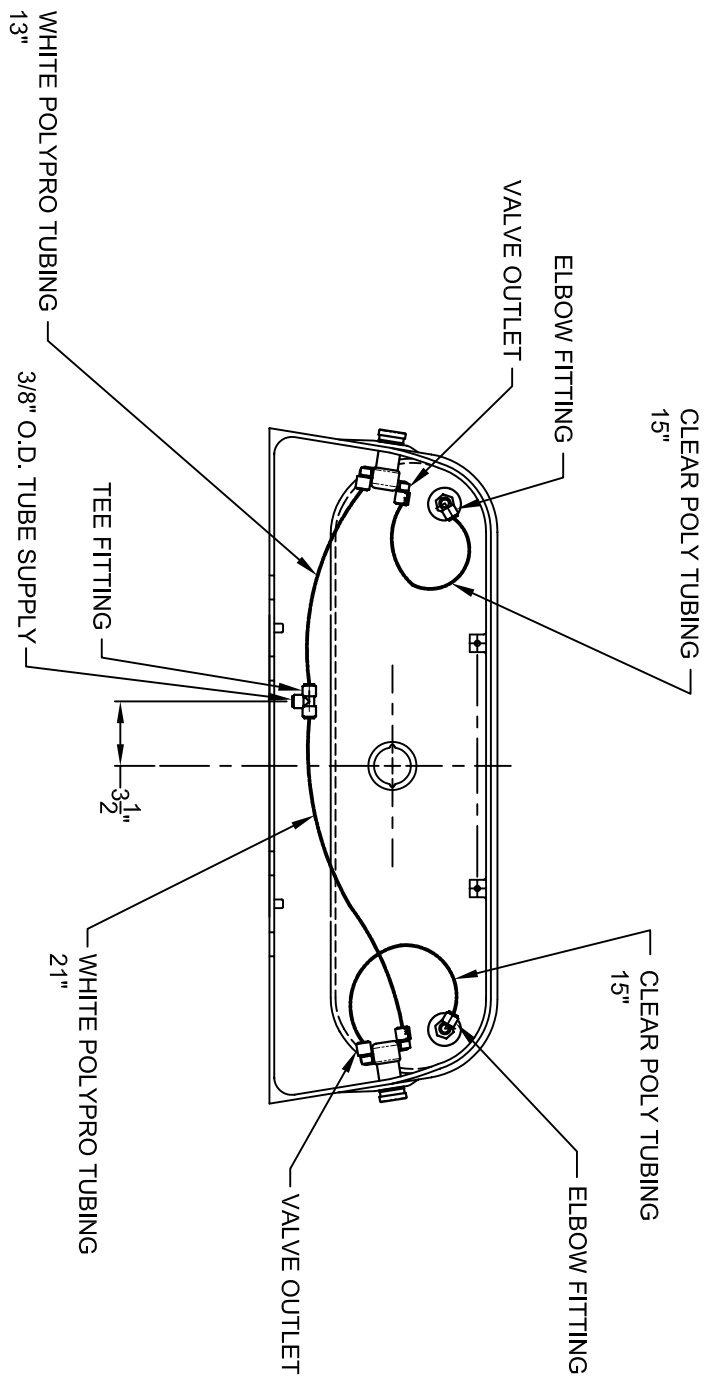
Haws Corporation

1455 KLEPPE LANE
SPARKS, NEVADA 89431
(775) 359-4712 FAX (775) 359-7424
E-MAIL: HAWS@HAWS.CO.COM
WEBSITE: WWW.HAWS.CO.COM

EQ. NO.:	1430	MODEL(S):	1430
DATE:	11/91	LINE FAX DOC #:	21430
APPROVER:		DESIGNER:	
DATE:		DRAWING TYPE:	INSTALLATION/EXHIBIT

QTY:	1	QTY:	1
DATE:	11/91	DATE:	11/91
REV:	1	REV:	1
DATE:	11/91	DATE:	11/91

4. CONNECT WHITE "POLYPROPYLENE" TUBING ON PRESSURE SIDE (INLET) OF VALVE.
5. CONNECT CLEAR "POLYETHYLENE" TUBING ON FREE FLOW SIDE (VALVE TO BUBBLER HEAD) ONLY.



1455 KLEPPE LANE
 SPARKS, NEVADA 89431
 (775) 359-4712 FAX (775) 359-7424
 E-MAIL: HAWS@HAWSCCO.COM
 WEBSITE: WWW.HAWSCCO.COM

ED. NO.:	1430	MODEL(S):	1430
DATE:	11/91	INFO FAX DOC #:	21430
APPROVED:		ISSUE:	1
		SPANNING TYPE:	INSTALLATION/REPAIR
		SIZE:	A
		REV:	14
		DATE:	09/19/00
		REV:	14