

NOTES:

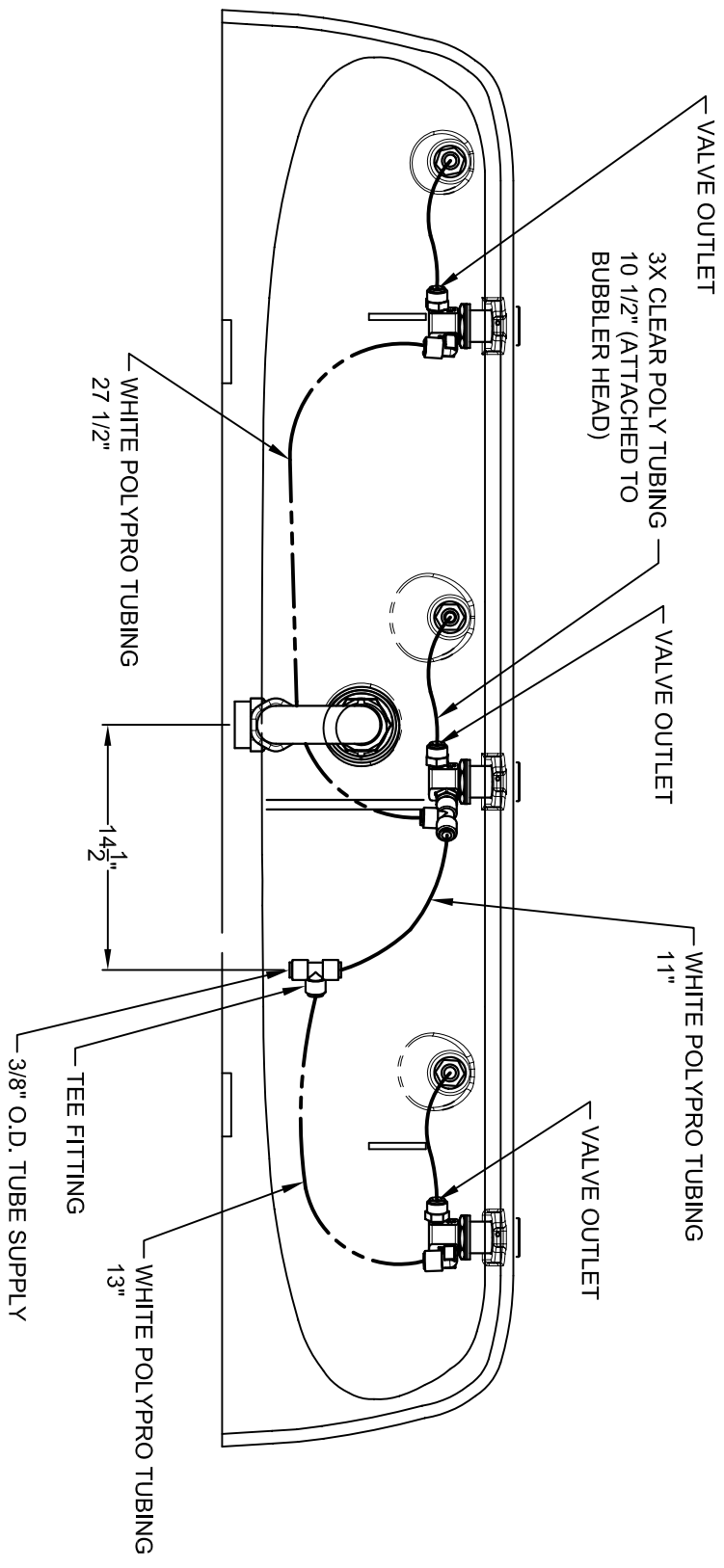
1. ROUGH-IN DIMENSIONS MAY VARY ±1/4" (6.4mm)
2. WHEN INSTALLING THIS UNIT LOCAL, STATE OR FEDERAL CODES SHOULD BE ADHERED TO. FOR INSTALLATION HEIGHTS OTHER THAN SHOWN, DIMENSIONS MARKED (*) MUST BE ADJUSTED ACCORDINGLY.
3. REFER TO 5874SS/VRK5874 OPERATION AND MAINTENANCE MANUAL FOR PUSH BUTTON AND VALVE INSTALLATION/MAINTENANCE INSTRUCTIONS.

Haws Corporation

1455 KLEPPE LANE
SPARKS, NEVADA 89431
(775) 359-4712 FAX (775) 359-7424
E-MAIL: HAWS@HAWSCO.COM
WEBSITE: WWW.HAWSCO.COM

EX. NO.: 1435 DRAWING NO.: ECN: 4332 DATE: 11/91 APPROVER:	MODEL(S): 1435 THREE BUBBLER FOUNTAIN INFO FAX DOC #: 21435	ORDER TYPE: INSTALLATION/EXHIBIT	ORDER NO.: 09922C00 PART NO.: 09922C00 QTY: 13
---	---	----------------------------------	--

4. CONNECT WHITE "POLYPROPYLENE" TUBING ON PRESSURE SIDE (INLET) OF VALVE.
5. CONNECT CLEAR "POLYETHYLENE" TUBING ON FREE FLOW SIDE (VALVE TO BUBBLER HEAD) ONLY.



BOTTOM VIEW



1455 KLEPPE LANE
 SPARKS, NEVADA 89431
 (775) 359-4712 FAX (775) 359-7424
 E-MAIL: HAWS@HAWSCO.COM
 WEBSITE: WWW.HAWSCO.COM

EQN NO.:	1435	MODEL(S):	1435 THREE BUBBLER FOUNTAIN
DATE:	11/91	INFO FAX DOC #:	21435
APPROVED:		INSTALLATION/FABRICATION:	
REV:	002016860 D	DATE:	09/22/00
SIZE:	A	SHEET:	2 OF 2