



model **SP265**
Shower Ball Valve

FEATURES & BENEFITS

OPTIONS

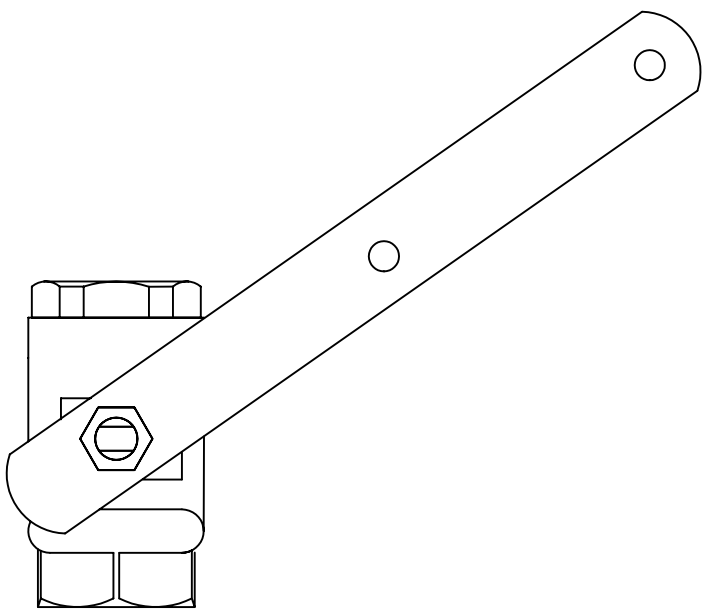
For more information, visit www.hawSCO.com or call (888) 640-4297.



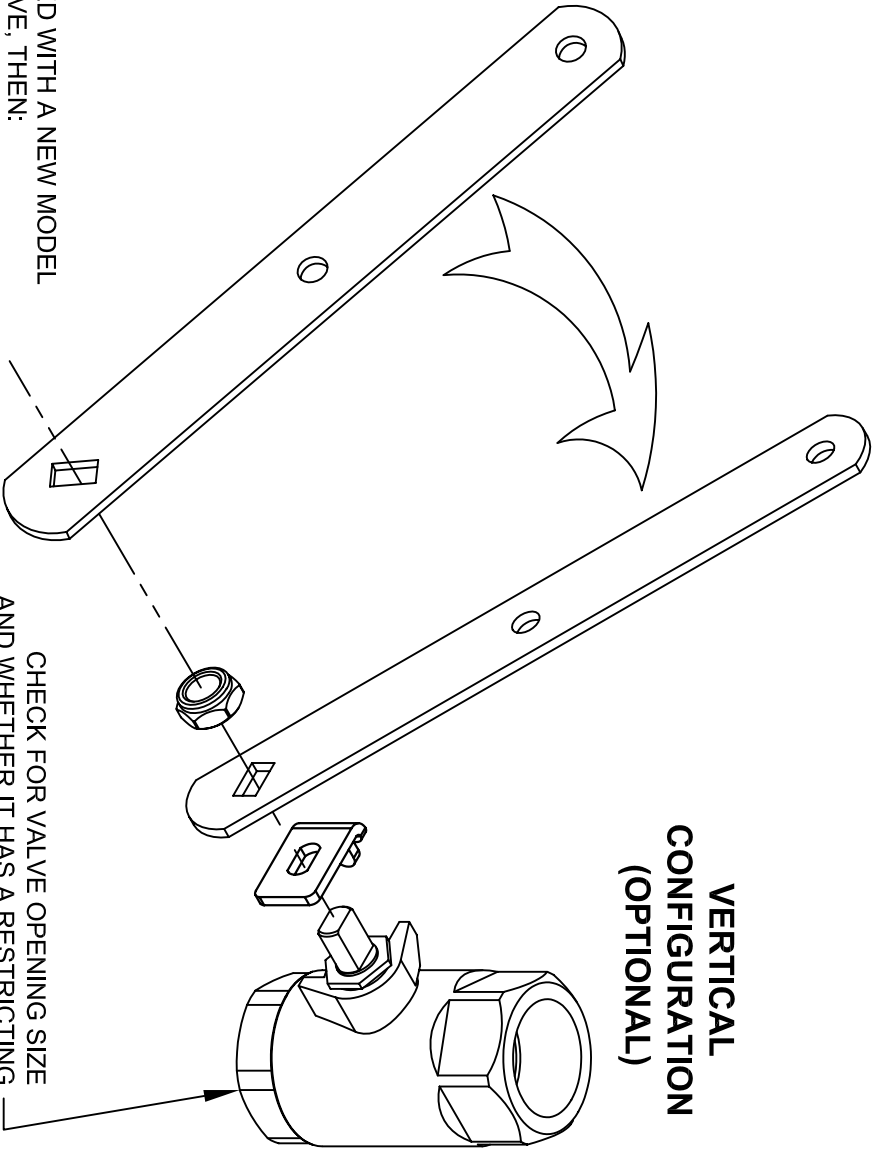
SPECIFICATIONS

Model SP265 is a stay-open stainless steel ball shower valve with stainless steel stem for horizontal or vertical installation. Model includes handle. 1" NPT.

APPLICATIONS



**HORIZONTAL CONFIGURATION
(STANDARD)**

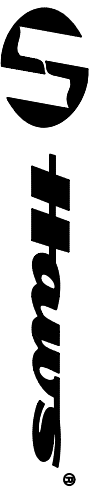


**VERTICAL CONFIGURATION
(OPTIONAL)**

CHECK FOR VALVE OPENING SIZE AND WHETHER IT HAS A RESTRICTING WASHER OR NOT.

NOTES:

1. WHEN EXISTING SHOWER BALL VALVE NEEDS TO BE REPLACED WITH A NEW MODEL SP260 BALL VALVE, FIRST REMOVE AND CHECK OLD BALL VALVE, THEN:
 - OPTION 1:** IF IT HAS A FULL PORT BUT DOES NOT HAVE A BRASS RESTRICTING WASHER INSTALLED IN FRONT OF THE VALVE BALL, THEN JUST REPLACE IT.
 - OPTION 2:** IF IT HAS A FULL PORT AND A BRASS RESTRICTING WASHER INSTALLED IN FRONT OF THE VALVE BALL, THEN REUSE THE WASHER WHEN INSTALLING THE VALVE.
 - OPTION 3:** IF IT HAS A REDUCED PORT $\varnothing(1/2")$, THEN CALL HAWS TECHNICAL SUPPORT (1-800-766-5612) AND ASK FOR RESTRICTING WASHER.
- FAILURE TO DO OPTION 2 OR 3 (IF YOUR SITUATION FITS) COULD RESULT IN THE SHOWER AND THE EYEWASH NOT WORKING SIMULTANEOUSLY.
2. FOR VERTICAL CONFIGURATION; REMOVE HANDLE, FLIP COMPLETELY TO OTHER SIDE AND REATTACH.



1455 KLEPPE LANE
SPARKS, NEVADA 89431
(775) 389-4712 FAX (759) 359-7424
E-MAIL: HAWS@HAWS.CO.COM
WEBSITE: WWW.HAWS.CO.COM

EQ# NO. REVISED PER BY:	MODEL(S)	PART NUMBER
DRAWING FILE:	SP260	0002080333
APPROVED:	1" BALL VALVE ASSEMBLY	DRAWING NO. REV
DATE:	INSTALLATION:	0002080333 4
SCALE: 1:1	DRAWING TYPE:	SIZE: A SHEET 1 OF 1