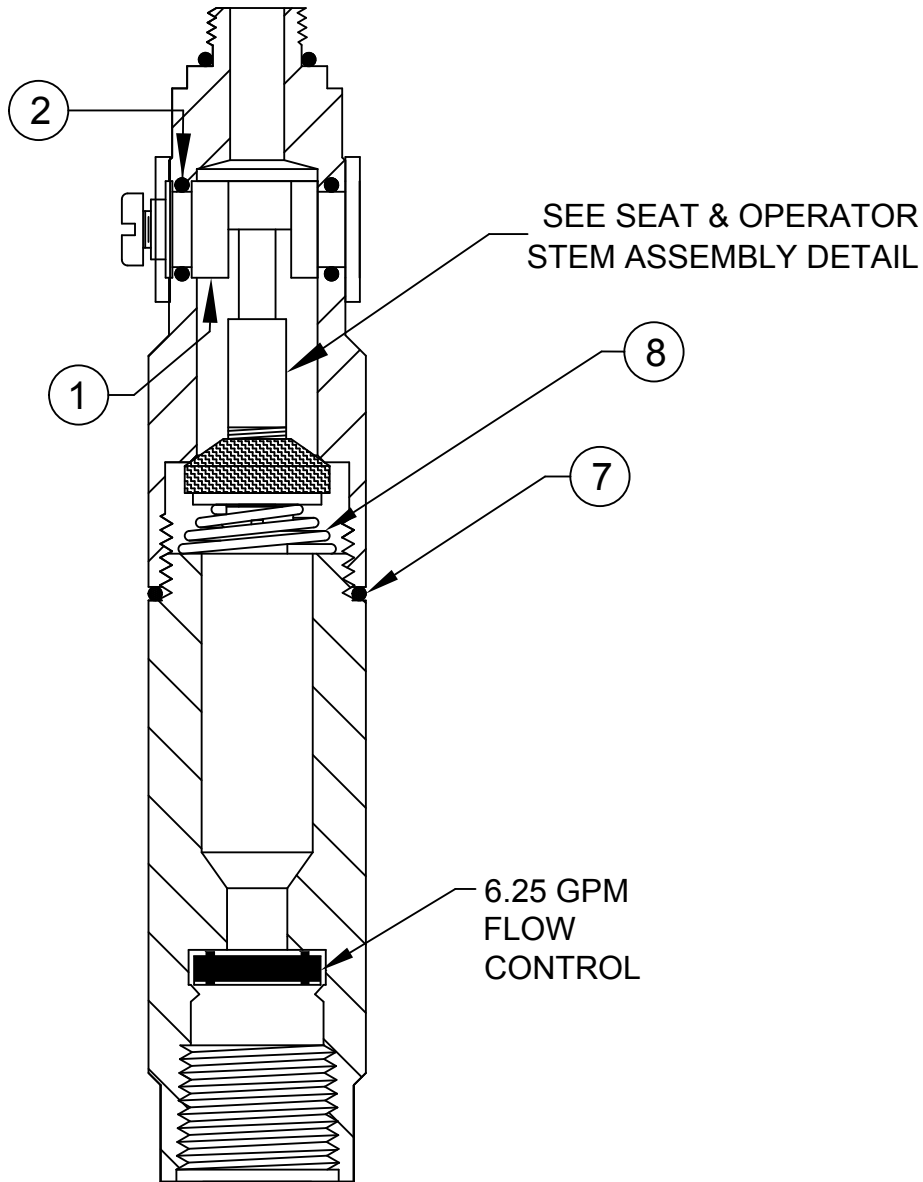
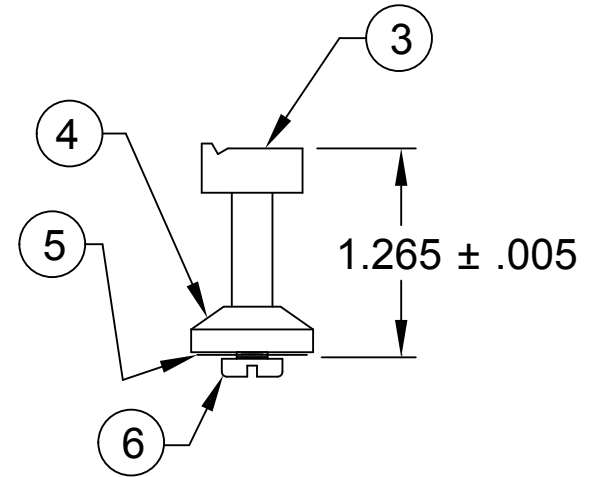


THIS DOCUMENT IS TRUE AND CORRECT AT TIME OF PUBLICATION. CONTINUED PRODUCT IMPROVEMENTS MAKE SPECIFICATIONS AND MEASUREMENTS SUBJECT TO CHANGE WITHOUT NOTICE.



SP248



SEAT & OPERATOR STEM ASSEMBLY DETAIL

CLEAN VALVE SEAT AND WASHER THOROUGHLY, LUBRICATE 'O' RING WITH 'O' RING LUBE BEFORE REASSEMBLING.

ITEM NO.	QUANTITY	DESCRIPTION
①	1	CAM OPERATOR
②	2	'O' RING FOR CAM
③	1	OPERATOR STEM
④	1	SEAT WASHER
⑤	1	HOLDER WASHER
⑥	1	SCREW
⑦	1	'O' RING
⑧	1	SPRING

VALVE REPAIR DETAIL
MODEL VRKSP248
OPTIONAL



1455 KLEPPE LANE
SPARKS, NEVADA 89431
(775) 359-4712 FAX (775) 359-7424
E-MAIL: HAWS@HAWS.CO.COM
WEBSITE: WWW.HAWS.CO.COM

ECN NO. REVISED PER BY: ECAV:4843 HJM	MODEL(S)	PART NUMBER
DRAWN: DATE: CHK'D: F. VASQUEZ 05/13/93	SP248	0002080341
APPROVED: DATE:	VALVE SQUEEZE HANDLE	DRAWING NO. REV 10772A00 5

SCALE: 1:4 DRAWING TYPE: INSTALLATION SIZE: A SHEET 1 OF 1