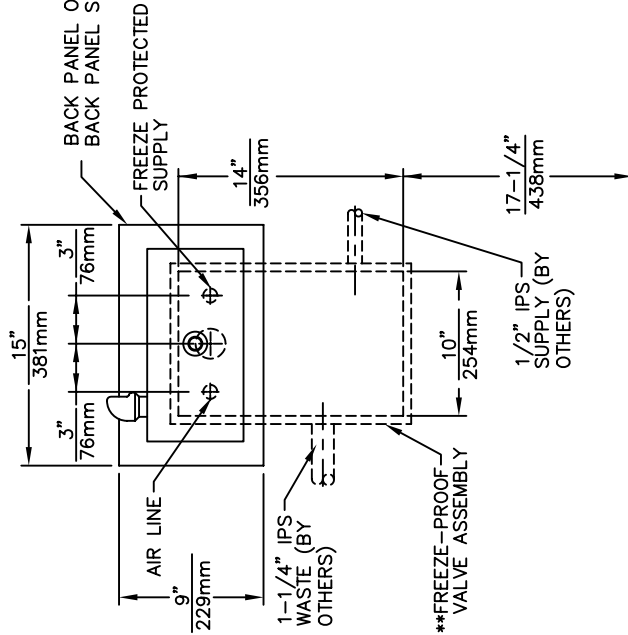
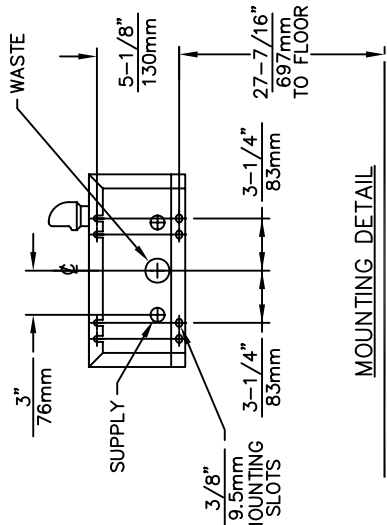
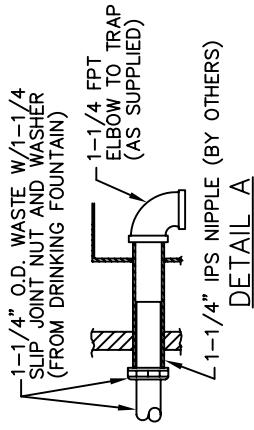
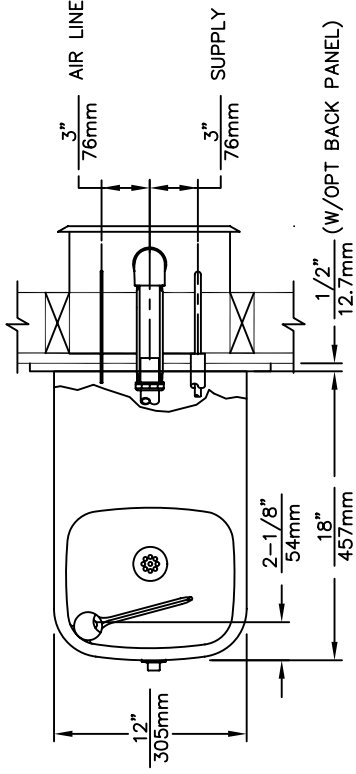


THIS DOCUMENT IS TRUE AND CORRECT AT TIME OF PUBLICATION. CONTINUED PRODUCT IMPROVEMENTS MAKE SPECIFICATIONS AND MEASUREMENTS SUBJECT TO CHANGE WITHOUT NOTICE.



** VALVE ASSEMBLY MUST BE INSTALLED IN A WARM AREA. PROVISIONS SHOULD BE MADE TO ALLOW ACCESS TO ACCESS PANEL



HOLD ROUGH-IN DIMENSIONS ± 1/4" (6.4mm).

* WHEN INSTALLING THIS UNIT LOCAL, STATE OR FEDERAL CODES SHOULD BE ADHERED TO. FOR INSTALLATION HEIGHTS OTHER THAN SHOWN, DIMENSIONS MARKED (*) MUST BE ADJUSTED ACCORDINGLY.



INFO FAX : 1-888-FAX-HAWS (1-888-329-4297)
1455 Kleppe Ln, Sparks NV, 89431
Phone: 775-359-4712 Fax: 775-359-7424
Haws Ag, Bachweg 3, CH-3401 Burgdorf Switzerland
Haws Mfg Pte Ltd 14 Sungai Kadut Loop Singapore 729531
e-mail: Haws@hawsco.com website: www.hawsco.com

FOR NO.	REVISED PER	DATE	BY	DATE	APPROVED
	ECN:4173	06/08	JHM		
MODEL(S)	1109FR/1109FRBP				
INFO FAX DOC #	2110937				
SCALE	1:1				
DRAWING TYPE	INSTALLATION/FABRICK				
SIZE	A				
SHEET	1 OF 1				
REV	1				
DRAWING NUMBER	0007076626.D				