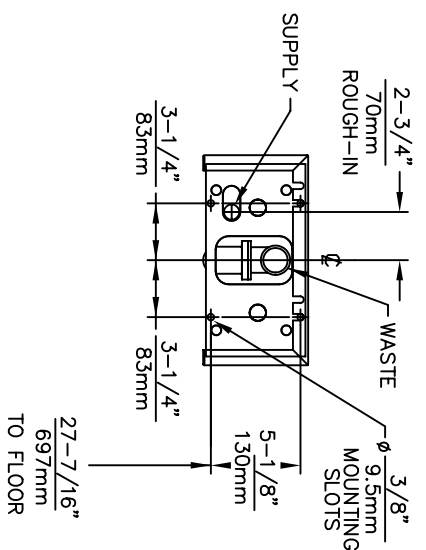


MOUNTING DETAIL
BACK VIEW



NOTES:

1. HOLD ROUGH-IN DIMENSIONS ± 1/4" (6.4mm).
2. WHEN INSTALLING THIS UNIT LOCAL, STATE OR FEDERAL CODES SHOULD BE ADHERED TO. FOR INSTALLATION HEIGHTS OTHER THAN SHOWN, DIMENSIONS MARKED (*) MUST BE ADJUSTED ACCORDINGLY.
3. REFER TO 5874/YR5874 OPERATION AND MAINTENANCE MANUAL FOR PUSH BUTTON AND VALVE INSTALLATION/MAINTENANCE INSTRUCTIONS.

Haws Corporation		INFO FAX : 1-888-FAX-HAWS (1-888-329-4297) 1455 Kiappa Ln, Sparks NV, 89431 Phone: 775-359-4712 Fax: 775-359-7424 Haws Ag Building 3 CH-3401 Burgdorf, Switzerland Haws Mfg. Pte Ltd 74 Sungai Kodut Loop Singapore 729531 e-trail: Haws@hawsco.com website: www.hawsco.com	
REG. NO. EONE 4119 DATE 06/98 APPROVED BY: [Signature]	MODEL(S): 1109.14/1109.14BP/1109.14A INFO FAX DOC #: 2110914 SCALE: 1:1 DRAWING TYPE: INSTALLATION/BACK	DATE: 06/98 CHECKED BY: [Signature]	DATE: 06/98 APPROVED BY: [Signature]
P.O. NO. 20/6625 D 13542000 18		SIZE: A 1 SR: 1 of 1	