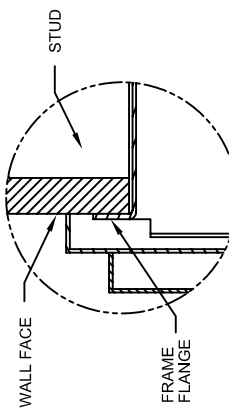


THIS DOCUMENT IS TRUE AND CORRECT AT TIME OF PUBLICATION. CONTAINED PRODUCT IMPROVEMENTS MAKE SPECIFICATIONS AND MEASUREMENTS SUBJECT TO CHANGE WITHOUT NOTICE.

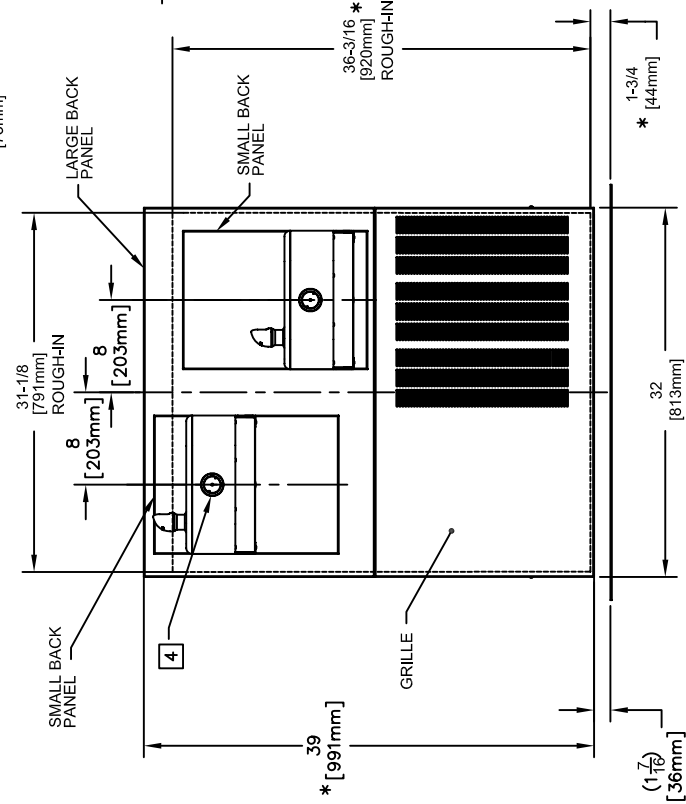
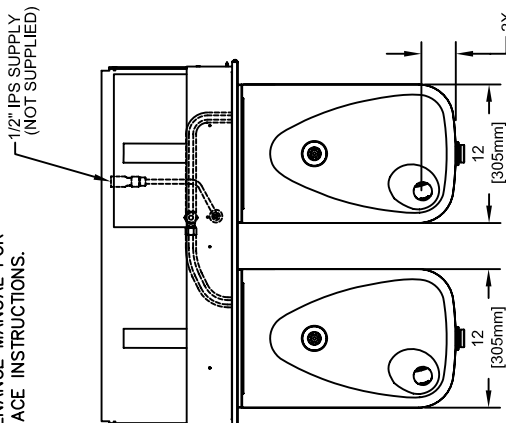
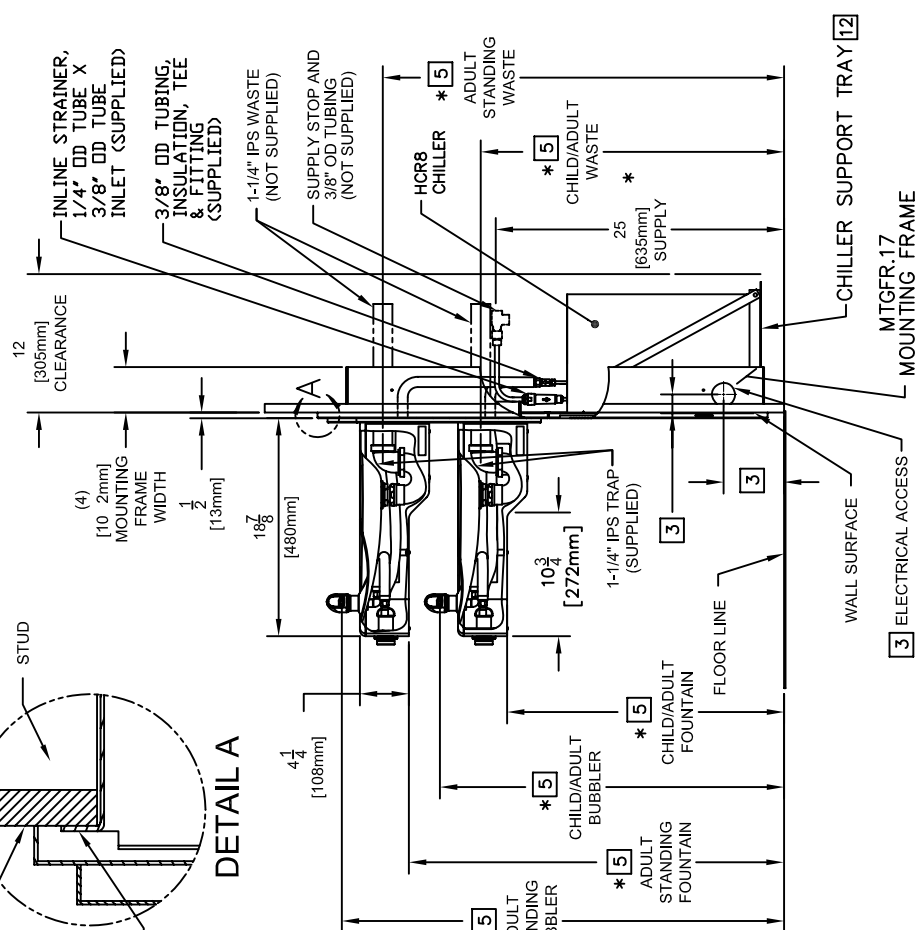
NOTES:

- HOLD ROUGH-IN DIMENSIONS ± 1/8" (3.2mm)
- WHEN INSTALLING THIS UNIT, LOCAL, STATE, OR FEDERAL CODES SHALL BE ADHERED TO FOR DIMENSIONS (LOCATIONS), WASTE AND SUPPLY REQUIREMENTS OTHER THAN SHOWN, DIMENSIONS MARKED (*) MUST BE ADJUSTED ACCORDINGLY.
- REFER TO MTGFR.17 INSTALLATION DRAWING FOR FRAME ROUGH-IN DIMENSIONS.
- REFER TO 5874/VRK5874 OPERATION AND MAINTENANCE MANUAL FOR PUSH BUTTON AND VALVE INSTALLATION/MAINTENANCE INSTRUCTIONS.
- ROUGH-IN DIMENSIONS FOR FOUNTAIN HEIGHTS:
 CHILD WHEELCHAIR HEIGHT: SEE SHT 2 FIG 1
 WASTE: 26-1/4" (667mm)
 FOUNTAIN: 24" (610mm)
 BUBBLER: 29-7/8" (756mm)
 ADULT WHEELCHAIR HEIGHT: SEE SHT 2 FIG 2
 WASTE: 29-1/4" (743mm)
 FOUNTAIN: 27" (686mm)
 BUBBLER: 32-7/8" (832mm)
 ADULT STANDING HEIGHT: SEE SHT 2 FIG 3
 WASTE: 34-3/4" (883mm)
 FOUNTAIN: 32-1/2" (826mm)
 BUBBLER: 38-3/8" (972mm)
- REFER TO MODEL H1117.8 INSTALLATION DRAWING SHEET 2 OF 2 (ON HAWS WEBSITE WWW.HAWS.CO.COM) FOR PERMISSABLE BOWL MOUNTING PATTERNS. TWO WHEELCHAIR HEIGHT FOUNTAINS CANNOT BE MOUNTED SIDE BY SIDE PER ANSI A117.1

NOTES CONTINUED ON SHEET 2 OF 2



DETAIL A



Haws Corporation
 INFO FAX : 1-888-FAX-HAWS (1-888-329-4297)
 1455 Kleppe Ln, Sparks NV, 89431
 Phone: 775-359-4712 Fax: 775-359-7424
 Haws Ag Bachweg 3 CH-3401 Burgdorf Switzerland
 Haws Mfg Pte Ltd 74 Sungai Kadut Loop Singapore 729531
 e-mail: Haws@hawsco.com website: www.hawsco.com

FOR NO. 1 REVISED PER INT. DATE: 11/10/08
 DESIGNED BY: LONZ-4181
 DRAWING NUMBER: H1117.8
 APPROVED BY: C.F.
 MODEL(S): H1117.8
 INFO FAX DOC. #: 2411178
 SCALE: 1:1
 DRAWING TYPE: INSTALLATION/FABRACK
 PART NUMBER: 0002080215.D
 REV: 4
 SIZE: A 1 SHT. 1 OF 2