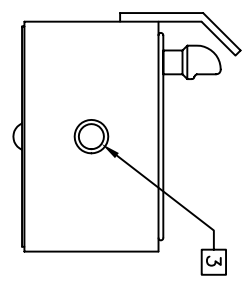
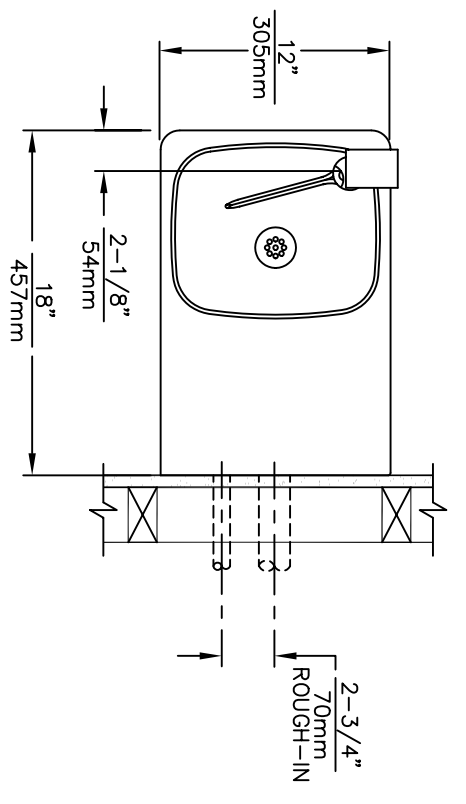
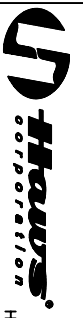
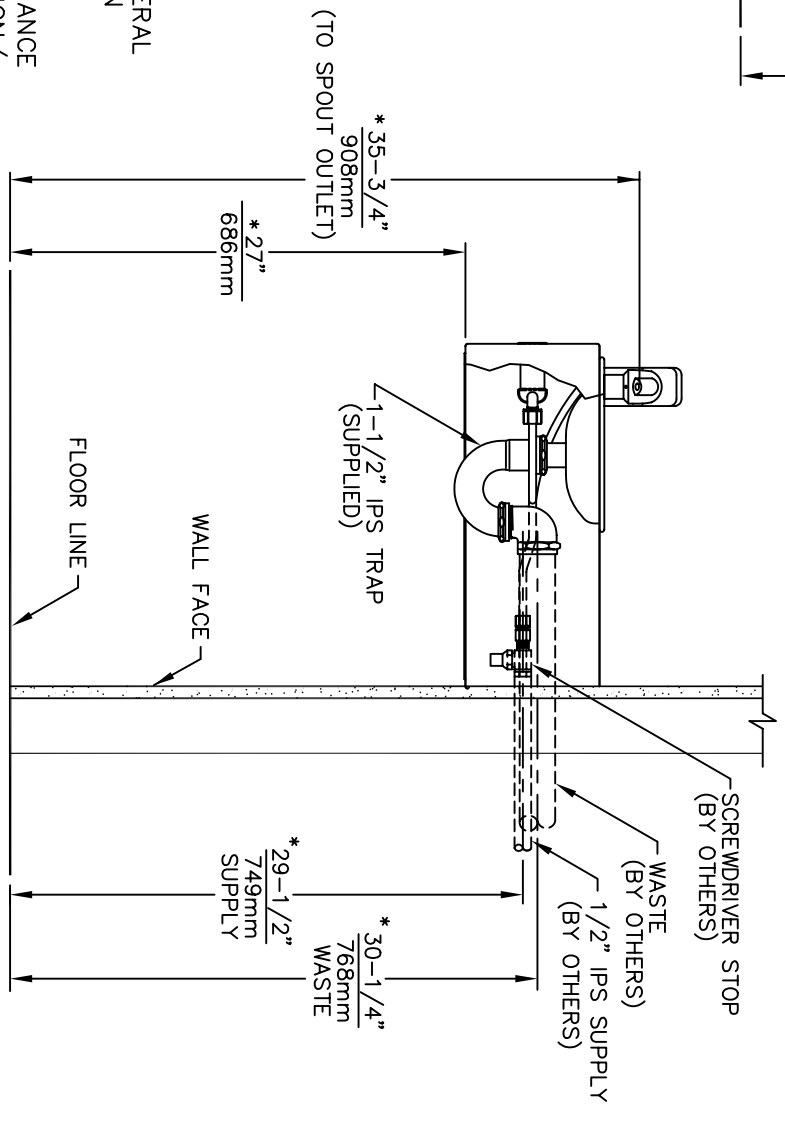


**REAR VIEW MOUNTING DETAIL**



- NOTES:**
1. HOLD ROUGH-IN DIMENSIONS  $\pm 1/4$ " (6.4mm).
  2. WHEN INSTALLING THIS UNIT LOCAL, STATE OR FEDERAL CODES SHOULD BE ADHERED TO. FOR INSTALLATION HEIGHTS OTHER THAN SHOWN, ACCORDINGLY.
  3. REFER TO 5874/VRK5874 OPERATION AND MAINTENANCE MANUAL FOR PUSH BUTTON AND VALVE INSTALLATION/ MAINTENANCE INSTRUCTIONS.



INFO FAX : 1-888-FAX-HAWS (1-888-329-4297)  
 1455 Kleppe Ln, Sparks NV, 89431  
 Phone: 775-359-4712 Fax: 775-359-7424  
 Haws Ag Bichweg 3 CH-3401 Burgdorf Switzerland  
 Haws Mfg Pte Ltd 74 Sungai Kodul Loop Singapore 729531  
 e-mail: Haws@hawsco.com Website: www.hawsco.com

DESIGNED BY	JF	CHECKED	
DRAWN			
CHECKED			
DATE	09/92		
TITLE	WALL MOUNTED DRINKING FOUNTAIN		
MODEL	1025/1025G		
INFO FAX DOC #	21025/210254		
SCALE	1:10		
DRAWING TYPE	INSTALLATION/FABRICATION		
PART NUMBER	0002076415.D		
DRAWING NUMBER	10371C00		
REV.	10		
SIZE	A	SHT	1 OF 1