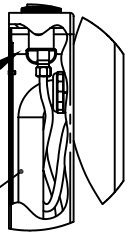
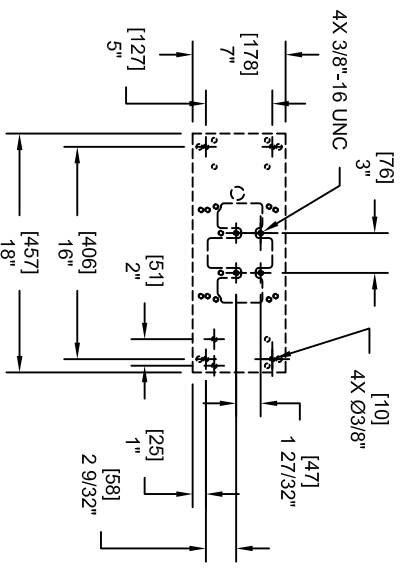
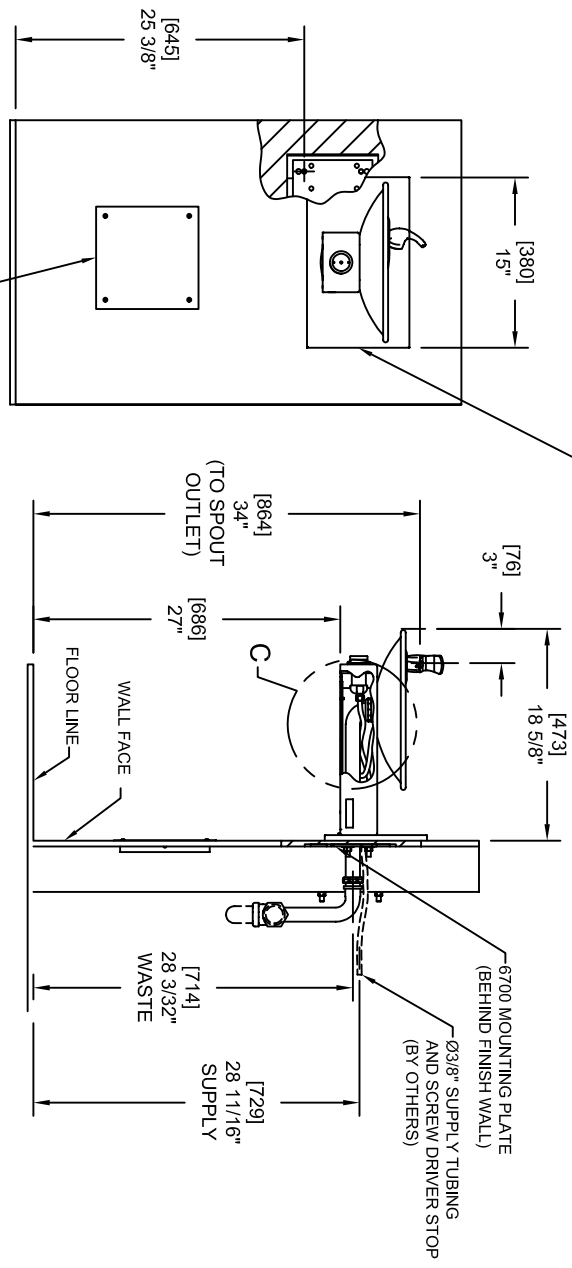
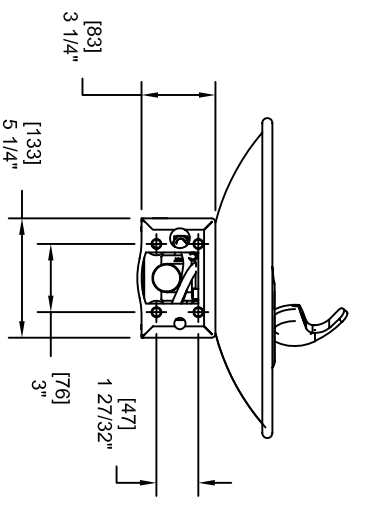
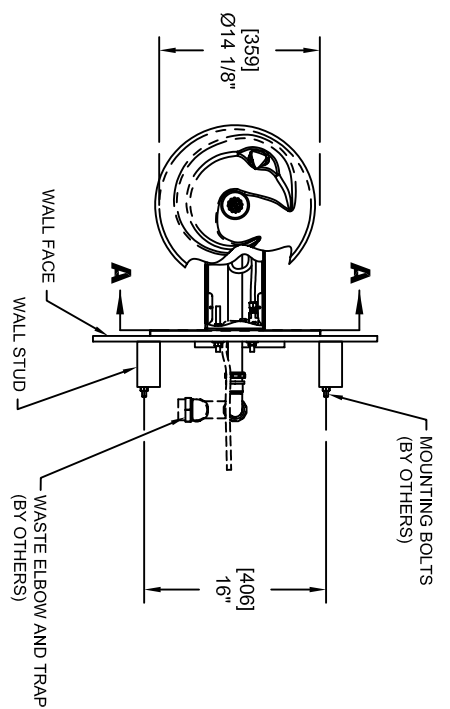


NOTES:

1. HOLD ROUGH-IN DIMENSIONS ±1/8" (3.2mm).
2. WHEN INSTALLING THIS UNIT, LOCAL, STATE, OR FEDERAL CODES SHOULD BE ADHERED TO FOR INSTALLATION DIMENSIONS (LOCATIONS), WASTE AND SUPPLY REQUIREMENTS OTHER THAN SHOWN.
3. INSTALLER MUST PROVIDE TRAP FOR PROPER INSTALLATION.
4. REMOVE VALVE FROM PUSH BUTTON TO INSTALL WASTE ELBOW ON TO BOWL. AFTER WASTE ELBOW IS INSTALLED, REINSTALL VALVE AND ADJUST FLOW.



DETAIL C
1-1/4" WASTE BEND (SUPPLIED)
3



**6700 MOUNTING PLATE
MUST BE INSTALLED BEFORE
FINISH WORK. THIS PLATE IS A
STANDARD ITEM.**

Haws Corporation

INFO FAX : 1-888-FAX-HAWS (1-888-529-4297)
1455 Kieppe Ln, Sparks NY, 89431
Phone: 775-359-4712 Fax: 775-359-7424
Haws Ag Bachweg 3 CH-3401 Burgdorf Switzerland
Haws Mfg Pte Ltd 74 Sungei Kadut Loop Singapore 729531
e-mail: Haws@hawsco.com website: www.hawsco.com

FORM NO.	REVISED PER	DATE	MODEL(S)
FORM 3889	FORM 3889	05/97	1001/1001BP/1001HPS/1001HPSBP
RTM	DATE	SCALE	INFO FAX DOC # 21001/210014/7
APPROVED	DATE	SCALE	DRAWING TYPE: INSTALLATION/BACK
FORM NO.	ISSUE	DATE	SCALE
0002076304.D	1	05/97	A