



model **9008**  
Transport Cart

## FEATURES & BENEFITS

---

## OPTIONS

---

For more information, visit [www.hawesco.com](http://www.hawesco.com) or call (888) 640-4297.



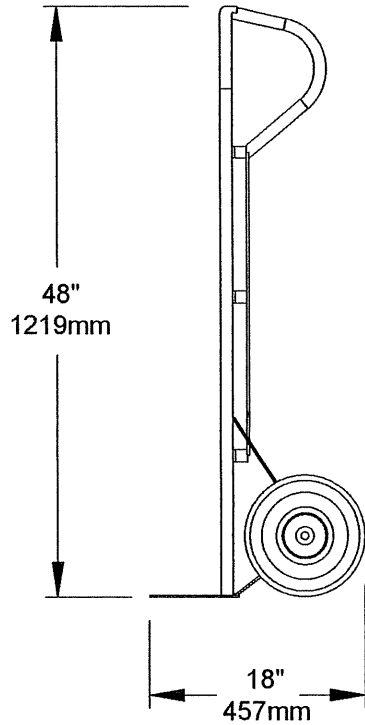
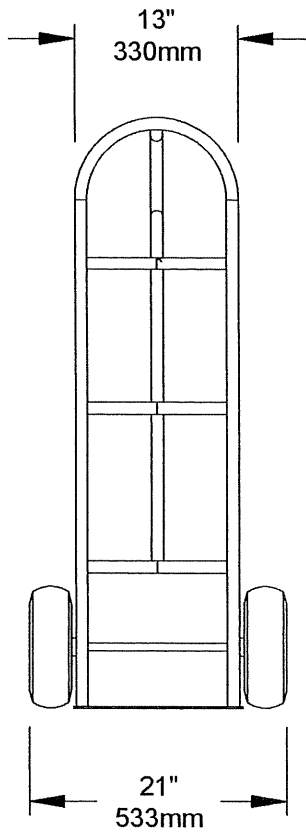
## SPECIFICATIONS

---

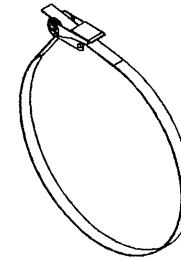
Model 9008 cart designed to transport all stainless steel portable eyewashes. Unit is constructed of heavy-duty 1" (2.5 cm) tubular frame with green powder-coated finish, features rubber wheels, and is equipped with a ratchet tie down strap to securely hold the tank to the cart.

## APPLICATIONS

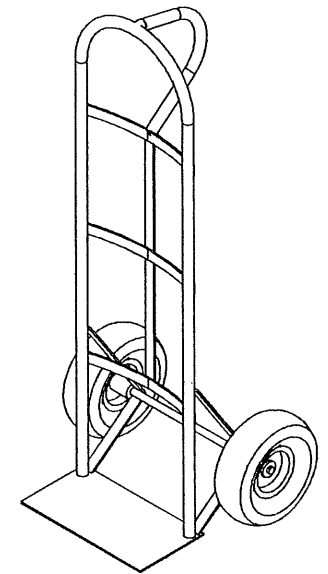
---



STRAP



CART



STRAP FOR  
SECURING TANK

SHOWN WITH  
MODEL 7601.37  
(NOT SUPPLIED)



1455 KLEPPE LANE  
SPARKS, NEVADA 89431  
(775) 359-4712 FAX (755) 359-7424  
E-MAIL: HAWS@HAWS.CO.COM  
WEBSITE: WWW.HAWS.CO.COM

ECN NO. REVISED PER BY:	MODEL(S)	PART NUMBER
ECN: 4692 WVC	9008 CART	0002080213
DRAWN: DATE: 09/08	FOR SST PORTABLE TANKS	DRAWING NO. REV
C. HAYES		12600A00 3
APPROVED: DATE:	SCALE: 1:1	DRAWING TYPE: INSTALLATION
		SIZE: A SHEET 1 OF 1