



model 9001.5

Emergency Alarm System

FEATURES & BENEFITS

AUDIBLE/VISUAL

Notification of an emergency is clearly noticeable with a brightly flashing amber light and easily recognizable with a 90 db buzzer. Buzzer can be silenced during testing by use of the silencing switch.

FLOW SWITCH

The alarm is activated by a 1/2" IPS brass double pole, double throw flow switch that is supplied with an extra set of electrical contacts for remote alarm hook-up.

FLEXIBILITY

The alarm is easily placed in a number of mounting configurations with the supplied pipe clamp.



OPTIONS

For more information, visit www.hawesco.com or call (888) 640-4297.

SPECIFICATIONS

Model 9001.5 emergency alarm and light system shall include an amber flashing light, and 90 db buzzer at 10 feet (304.8 cm) that is operated by a 1/2" NPT double pole, double throw flow switch which contains multiple sets of contacts for remote activation, and pipe bracket. Switch will activate at 1.5 gpm (3.8 L). Voltage: 120 VAC, 50 or 60 cycles. Supply: 1/2" IPS. Model 9001.5 is CSA electrical certified, TYPE 4. (Equivalent to Nema 4)

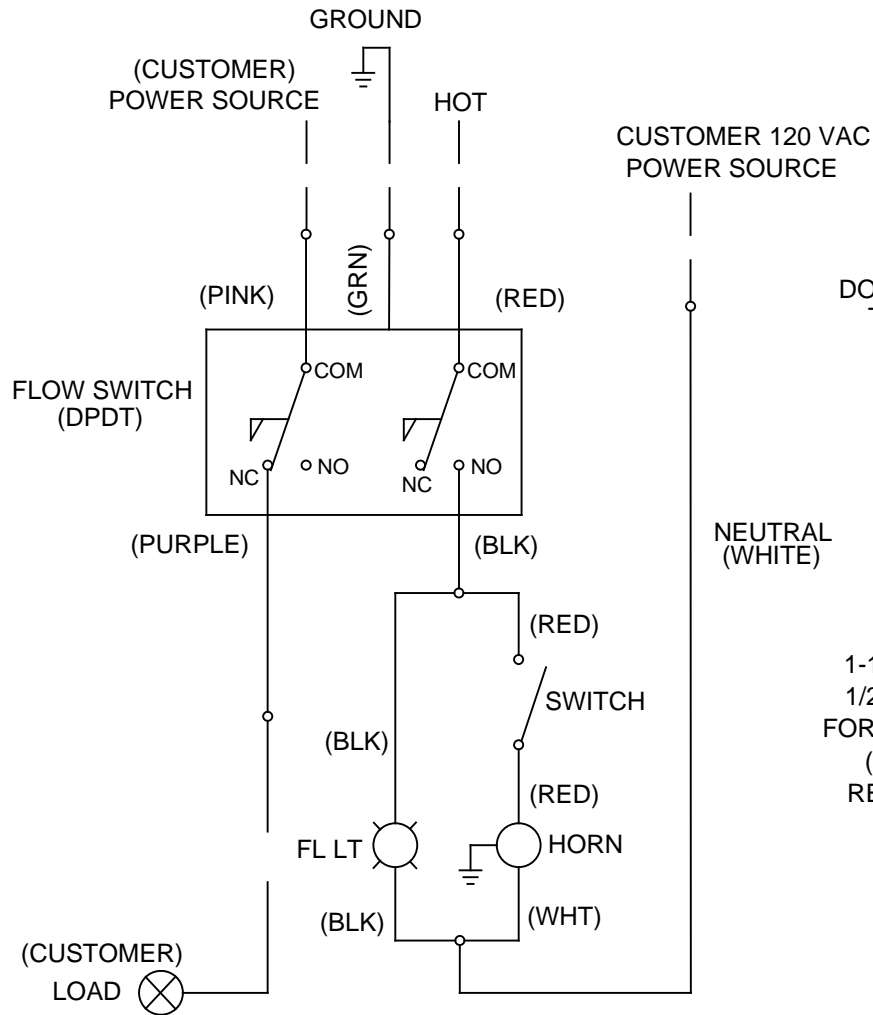
APPLICATIONS

Specifically, this alarm can be used with almost any Haws eye or eye/face wash model. The complete alarm is CSA electrical certified, TYPE 4. (Nema 4 equivalent)

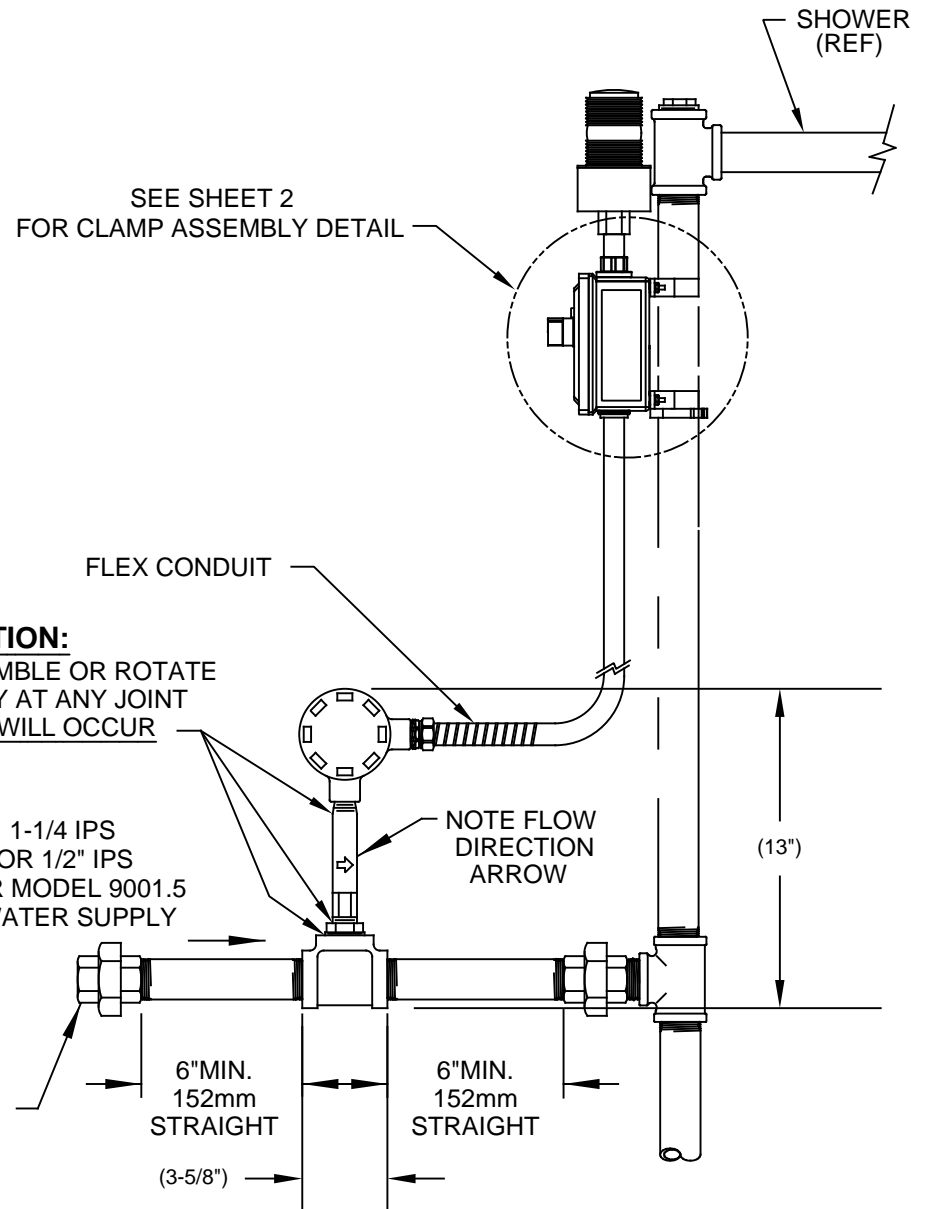


NOTES:

1. THE SIGNAL FROM THE PURPLE WIRE WILL BE SUPPLY VOLTAGE WHEN NO WATER IS FLOWING AND ZERO VOLTAGE WHEN THE FLOW SWITCH AND LOCAL ALARM ARE ACTIVATED. IF A REMOTE ALARM IS NOT USED, THE PURPLE WIRE MUST BE INSULATED AT ITS FREE END. LEAVING THE TWO CRIMP TERMINALS (SUPPLIED) CONNECTED WILL DO THIS.
2. INSTALLER MUST USE A THREAD SEALANT, SUCH AS APPLETON TLC3, RECOMMENDED FOR USE ON ELECTRICAL COMPONENTS ON ALL ELECTRICAL NPT CONNECTIONS.



WIRING DIAGRAM



FLOW SWITCH MUST BE MOUNTED IN HORIZONTAL POSITION

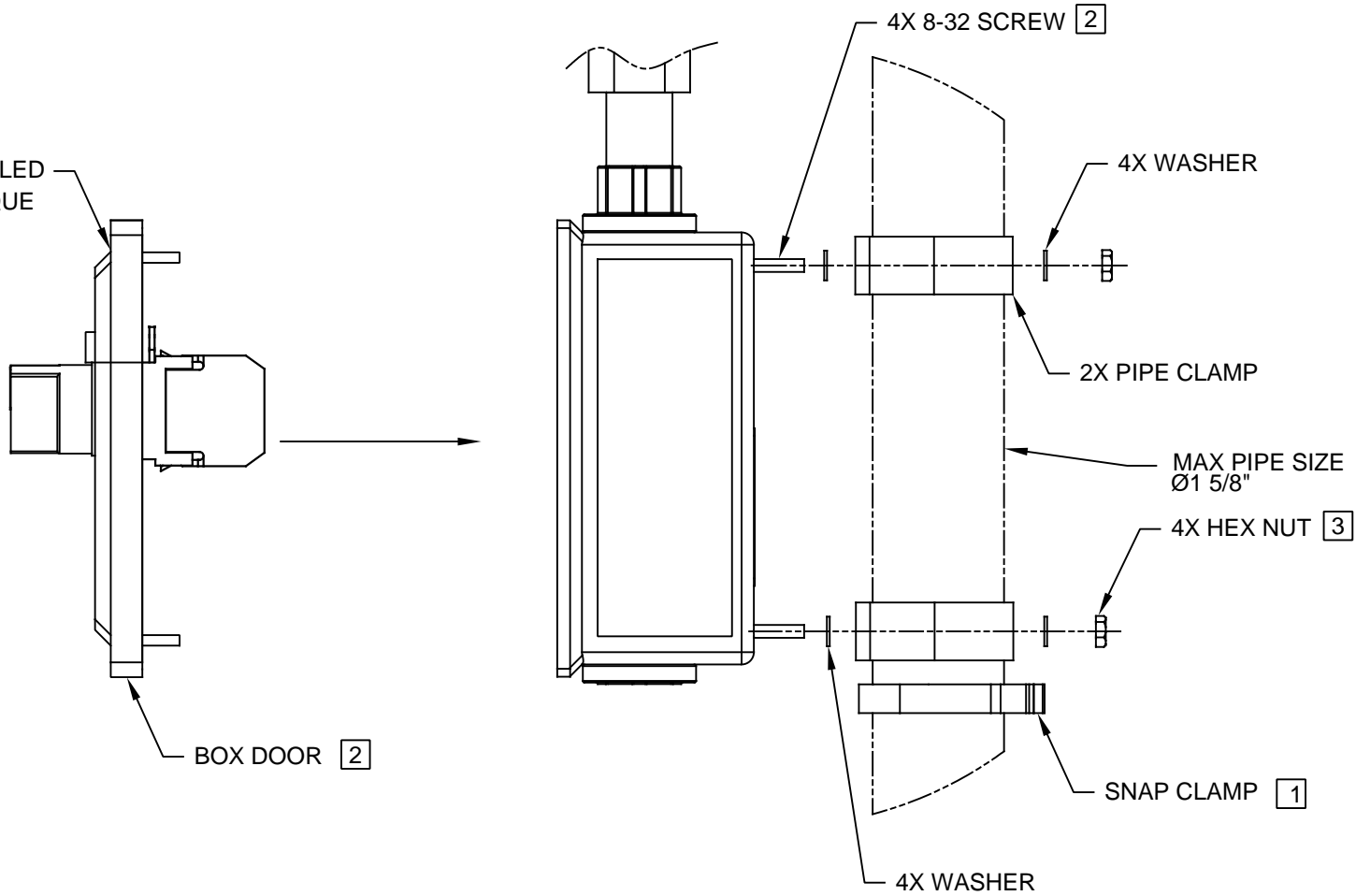
1455 KLEPPE LANE
SPARKS, NEVADA 89431
(775) 359-4712 FAX (775) 359-7424
E-MAIL: HAWS@HAWS.CO.COM
WEBSITE: WWW.HAWS.CO.COM

ECN NO. REVISED PER BY: ECN: 5232 JP		MODEL(S)		PART NUMBER	
DRAWN: CH DATE: 01/09/01 CHKD.: GC		9001/9001.5 ALARM		0002080202.D	
APPROVED: FV DATE: 11/22/17		SCALE: 1:1		REVISION	
		DRAWING TYPE: INSTALLATION		31	
		SIZE: A		SHEET 1 OF 2	


NOTES:

- 1 SNAP CLAMP TO BE INSTALLED FIRST FOR VERTICAL SUPPORT.
- 2 SCREWS INSTALLED FROM FRONT, WITH BOX DOOR OFF.
- 3 NUTS TO BE INSTALLED TO A TORQUE OF 12 IN-LBS MAX.

LID TO BE INSTALLED TO 3 IN/LBS TORQUE



CLAMP ASSEMBLY DETAIL

		Haws ®		1455 KLEPPE LANE SPARKS, NEVADA 89431 (775) 359-4712 FAX (775) 359-7424 E-MAIL: HAWS@HAWS.CO.COM WEBSITE: WWW.HAWS.CO.COM	
				ECN NO. REVISED PER BY: MODEL(S) . ECN: 5232 JP	9001/9001.5 ALARM
DRAWN: CH DATE: 01/09/01 CHK'D: GC	APPROVED: FV DATE: 11/22/17	SCALE: 1:1	DRAWING TYPE: INSTALLATION	SIZE: A	SHEET 2 OF 2
				REVISION 31	