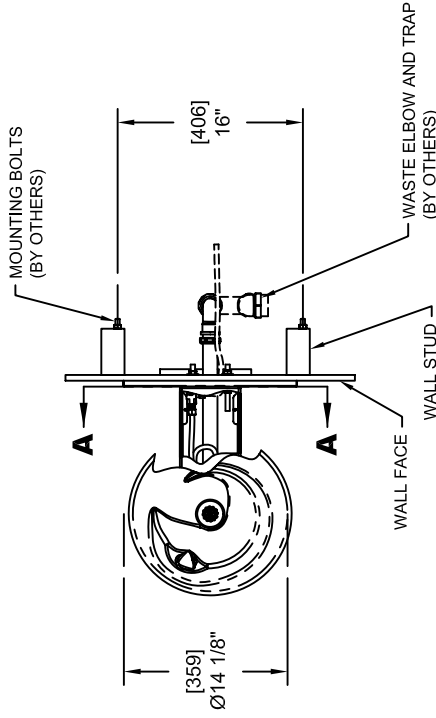


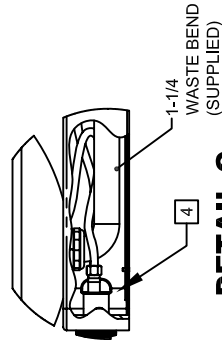
THIS DOCUMENT IS TRUE AND CORRECT AT TIME OF PUBLICATION. CONTINUED PRODUCT IMPROVEMENTS MAKE SPECIFICATIONS AND MEASUREMENTS SUBJECT TO CHANGE WITHOUT NOTICE.

**NOTES:**

1. HOLD ROUGH-IN DIMENSIONS  $\pm 1/8"$  (3.2mm).
2. WHEN INSTALLING THIS UNIT, LOCAL, STATE, OR FEDERAL CODES SHOULD BE ADHERED TO FOR INSTALLATION DIMENSIONS (LOCATIONS), WASTE AND SUPPLY REQUIREMENTS OTHER THAN SHOWN.
3. INSTALLER MUST PROVIDE TRAP FOR PROPER INSTALLATION.
4. REMOVE VALVE FROM PUSH BUTTON TO INSTALL WASTE ELBOW ONTO BOWL. AFTER WASTE ELBOW IS INSTALLED, REINSTALL VALVE AND ADJUST FLOW.

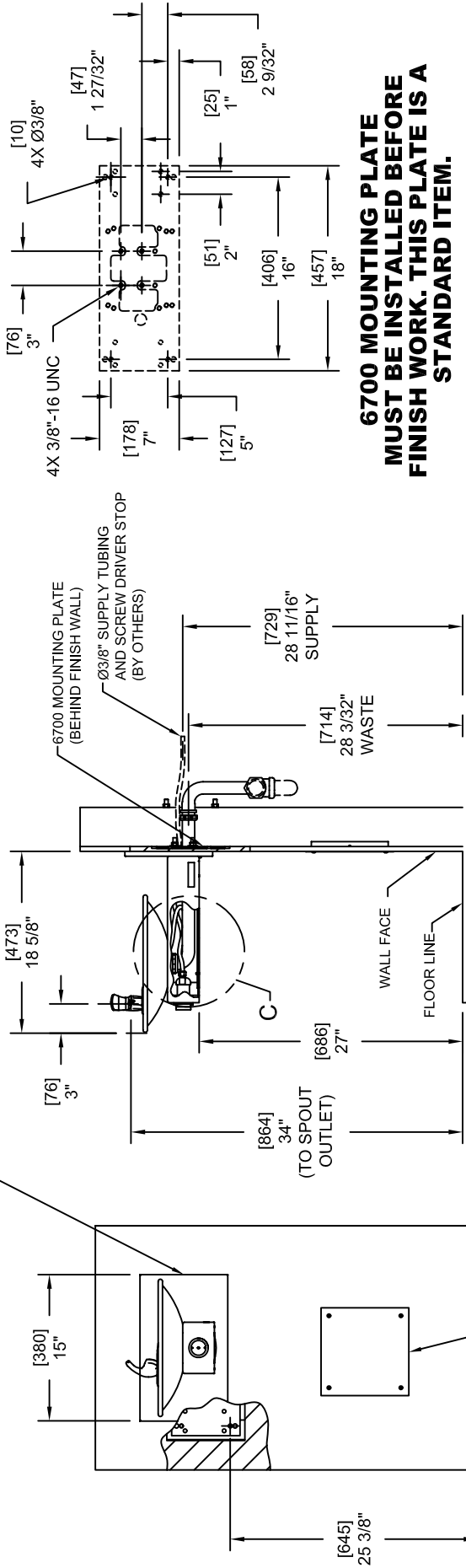


**SECTION A-A  
ROTATED 90° CW  
BRACKET MOUNTING  
DETAIL**

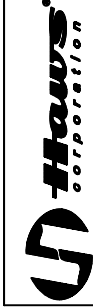


BACK PANEL (OPTIONAL);  
1001 & 1001HPS  
(STANDARD);  
1001BP & 1001HPSBP

**DETAIL C**



**6700 MOUNTING PLATE  
MUST BE INSTALLED BEFORE  
FINISH WORK. THIS PLATE IS A  
STANDARD ITEM.**



INFO FAX : 1-888-FAX-HAWS (1-888-329-4297)  
1455 Kleppe Ln, Sparks NV, 89431  
Phone: 775-359-4712 Fax: 775-359-7424  
Haws Ag, Bachweg 3, CH-3401 Burgdorf, Switzerland  
Haws Mtg Pte Ltd 74, Sungai Kadut Loop, Singapore 729531  
e-mail: Haws@hawsco.com website: www.hawsco.com

FORM NO.	REVISED PER	DATE	BY	CHKD	DATE	APPROVED
0002076304.D	ECN: 4010	05/97				
MODEL(S):	1001/1001BP/1001HPS/1001HPSBP					
DRAWING NUMBER:	1001/21001477					
SCALE:	1:1					
DRAWING TYPE:	INSTALLATION/FABRACK					
SIZE:	A SH. 1 OF 1					