



model 8317LTEXP

Area Light

FEATURES & BENEFITS

OPTIONS

For more information, visit www.hawesco.com or call (888) 640-4297.



SPECIFICATIONS

Model 8317LTEXP is a white area light for continuous illumination of the 8317CTFP series showers. Class 1, Div. 1, Group C & D. Tempering Code: T4. Model is CSA electrical certified, TYPE 4; only when used with 8317CTFP.

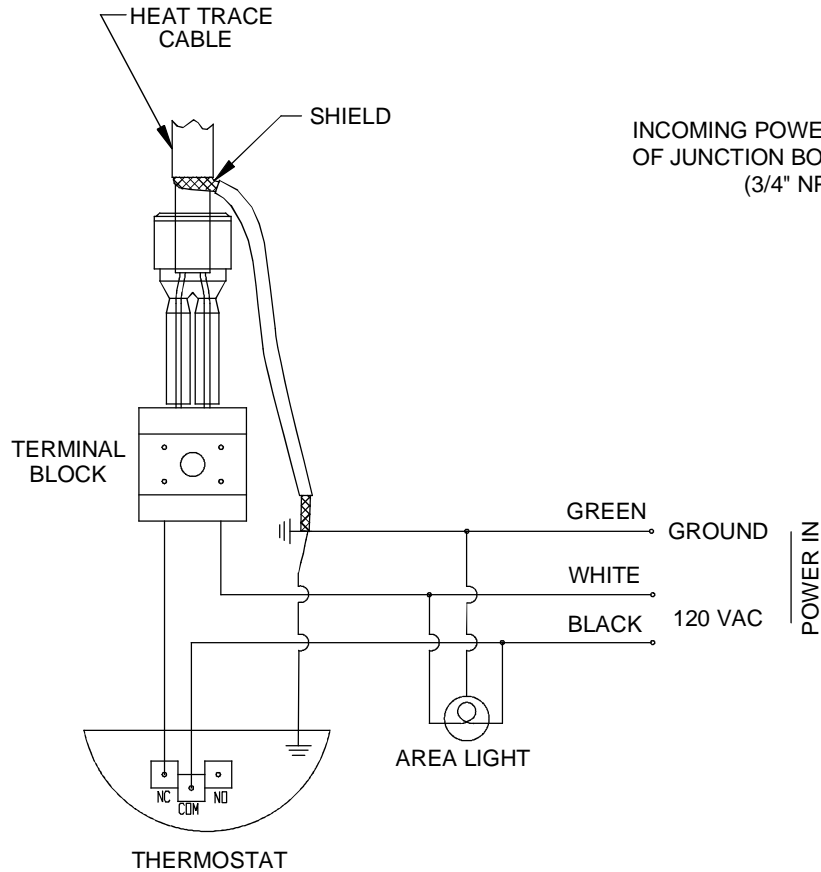
APPLICATIONS

Model is CSA electrical certified, TYPE 4; only when used with 8317CTFP.



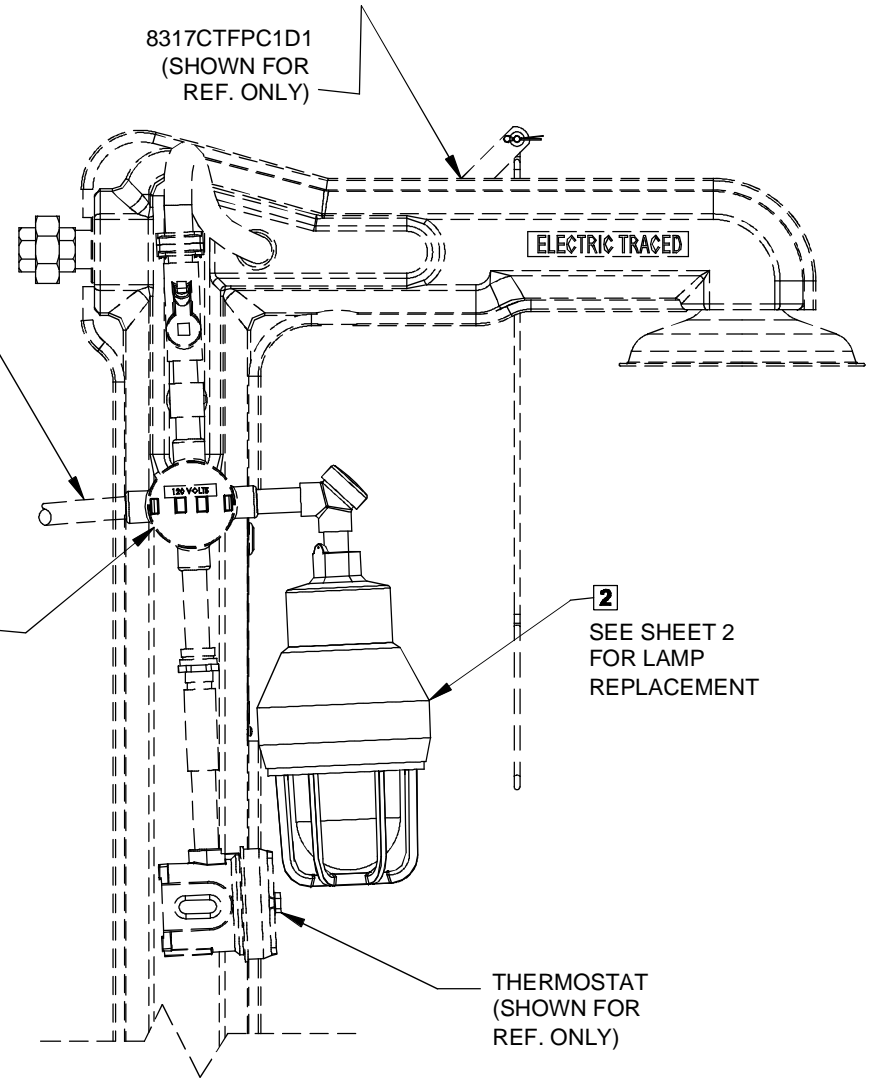
NOTE:

1. INSTALLER MUST USE SUFFICIENT THREAD SEALANT, SUCH AS APPLETON TLC-3, RECOMMENDED FOR USE IN HAZARDOUS LOCATIONS, TO ENSURE A WATERTIGHT SEAL ON ALL ELECTRICAL THREAD CONNECTIONS.



INCOMING POWER TO REAR PORT OF JUNCTION BOX (NOT SUPPLIED) (3/4" NPT)

JUNCTION BOX (NOT SUPPLIED)



8317LTEXP WIRING DETAIL

		1455 KLEPPE LANE SPARKS, NEVADA 89431 (775) 359-4712 FAX (775) 359-7424 E-MAIL: HAWS@HAWS.CO.COM WEBSITE: WWW.HAWS.CO.COM	
ECN NO. REVISED PER BY:	ECN: 5005 HM	MODEL(S)	8317LTEXP
DRAWN: H MERRITT	DATE: 8/17/09	CHKD: RVH	PART NUMBER: 0002080166
APPROVED: FV	DATE: 06/25/15	SCALE: 1:1	REVISION: 12
DRAWING TYPE: INSTALLATION		SIZE: A SHEET 1 OF 2	

NOTES: (CONTINUED FROM SHEET 1)

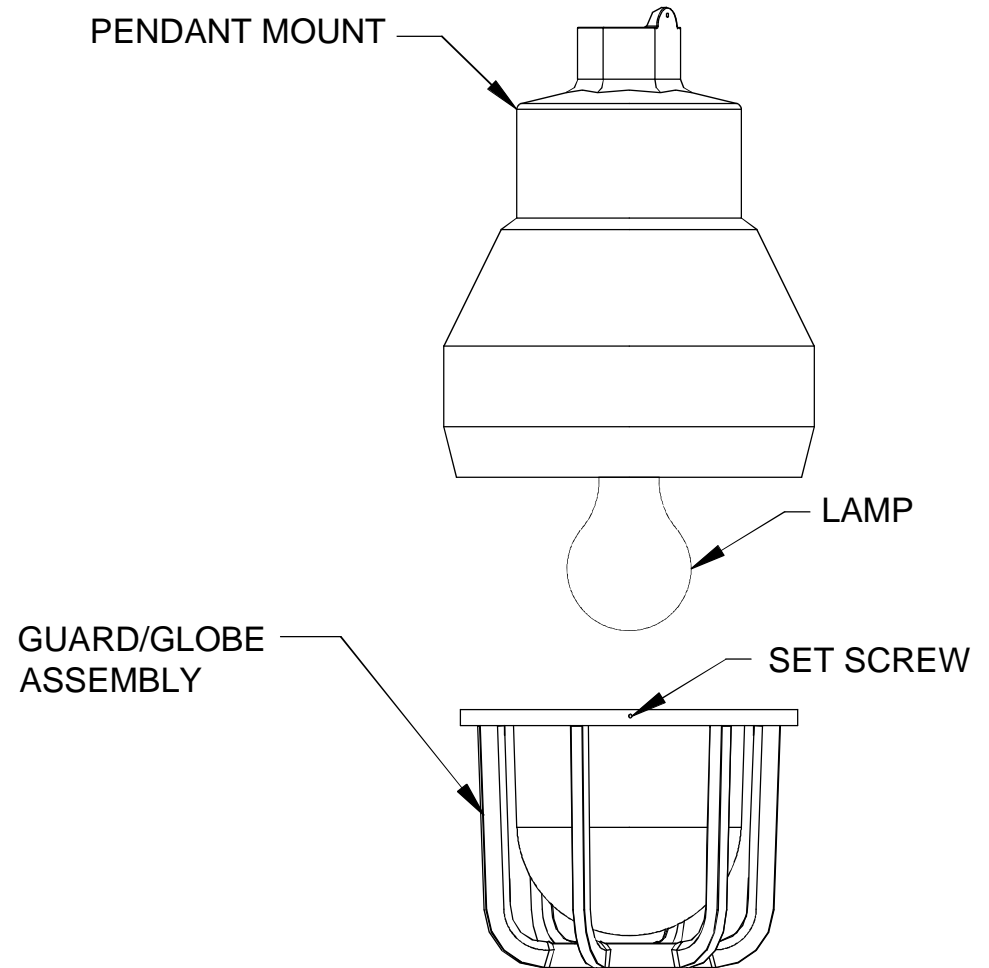
2. LIGHT REPLACEMENT INSTRUCTIONS:

1) REMOVE GUARD/GLOBE ASSEMBLY:
FIRST LOOSEN SET SCREW (LOCATED ON GUARD WHERE SHOWN). NEXT, ROTATE ASSEMBLY COUNTER CLOCKWISE UNTIL GUARD IS FREE FROM PENDANT MOUNT AND LAMP IS EXPOSED.

2) REPLACE LAMP WITH RECOMMENDED 120 VOLT, 100 WATTS (ROUGH USE) LONG FLUTED, FROSTED P/N 0003200003.

WARNING - EXPLOSION HAZARD - SUBSTITUTION OF COMPONENTS MAY IMPAIR SUITABILITY FOR CLASS 1, DIVISION 1.

3) REPLACE GUARD/GLOBE ASSEMBLY:
ROTATE ASSEMBLY CLOCKWISE ONTO THE PENDANT MOUNT UNTIL TIGHT AND TIGHTEN SET SCREW.



		Haws [®]		1455 KLEPPE LANE SPARKS, NEVADA 89431 (775) 359-4712 FAX (775) 359-7424 E-MAIL: HAWS@HAWSCO.COM WEBSITE: WWW.HAWSCO.COM	
ECN NO.:	REVISED PER:	BY:	MODEL(S)	PART NUMBER	
	ECN: 5005	HM		0002080166	
DRAWN:	DATE:	CHKD.:		REVISION	
H MERRITT	8/17/09	RVH	8317LTEXP	12	
APPROVED:	DATE:		SCALE: 1:1	DRAWING TYPE: INSTALLATION	SIZE: A SHEET 2 OF 2
FV	06/25/15				