

FEATURES & BENEFITS

VALVE

Polished chrome-plated, lead-free brass, lever handle self-closing valve features automatic pressure compensation stream control.

QUALITY

Gooseneck valve is pre-built and fully water and pressure tested to ensure no leaks and proper function for reduced installation time and added peace of mind.

OPTIONS

For more information, visit www.hawsco.com or call (888) 640-4297.



SPECIFICATIONS

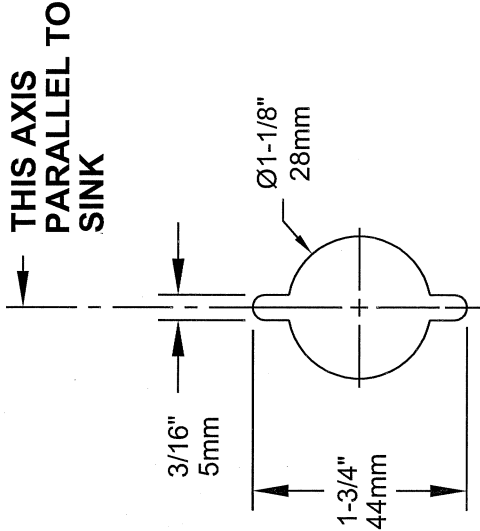
Model 5452LF is a polished chrome-plated brass lever handle, self-closing gooseneck faucet with a vandal-resistant .5 gpm (1.9 L) aerator, vandal-resistant lock pin, and 1/2" O.D. (1.3 cm) slip-joint inlet.

APPLICATIONS

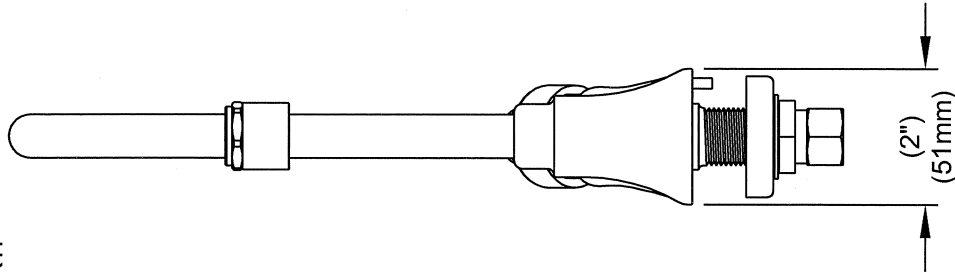
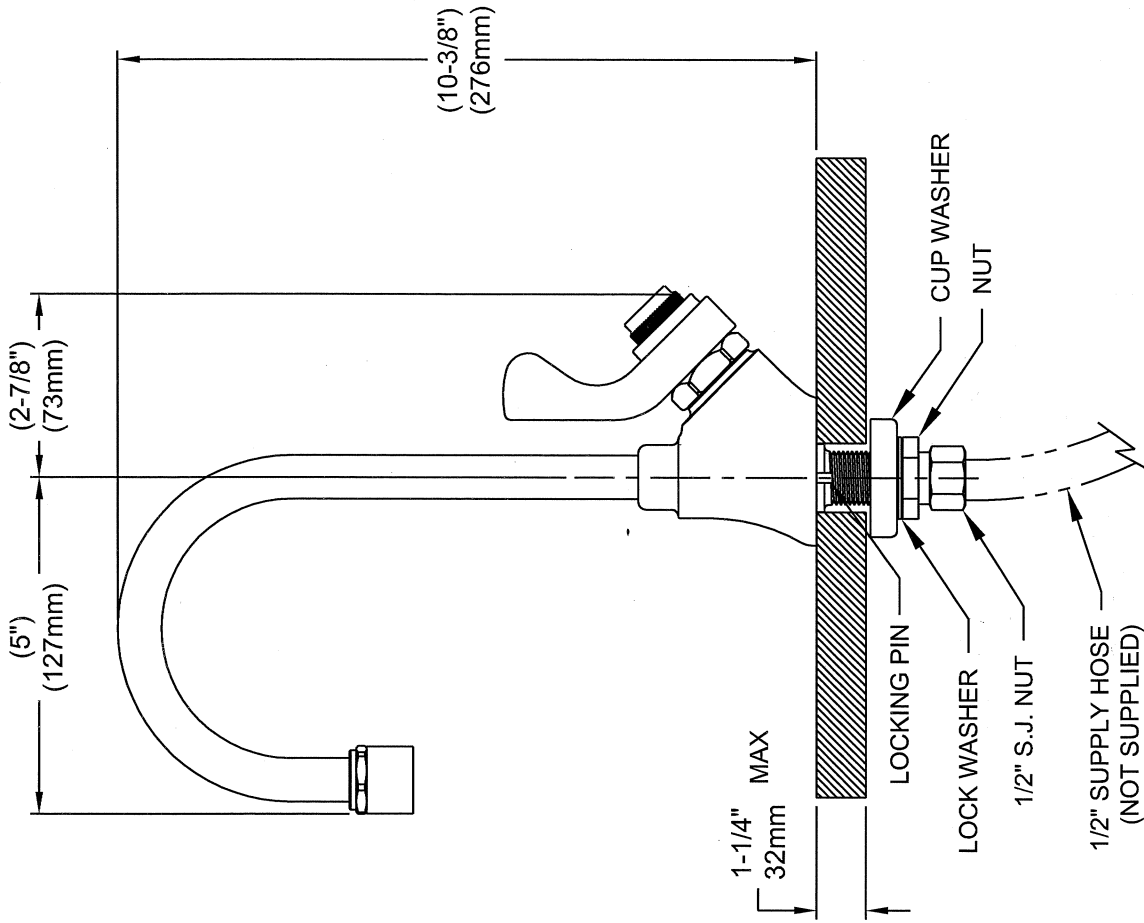
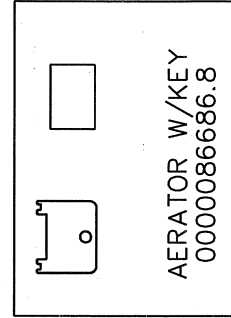
Perfect for either public or private indoor settings, the 5452LF is a great fit in areas where a sink is present. Specifically, this type of deck mounted glass-filler faucet may be placed in settings such as: schools, classrooms, laboratories, restaurants, and other facilities where the need for a deck mounted source of water is present. Haws manufactures drinking fountains, faucets and electric water coolers to be lead-free by all known definitions including NSF/ANSI/CAN 61-Section 9, NSF/ANSI/CAN 372, California Proposition 65, and the Federal Safe Drinking Water Act. Product is compliant to California Health and Safety Code 116875 (AB 1953-2006), and NSF/ANSI/CAN 61: Q ≤ 1.

NOTES:

1. BE SURE INDEXING PINS ARE INSTALLED AND ORIENTED TO ACCOMODATE YOUR DESIRED MOUNTING.
2. THE HANDLE/STEM REPAIR KIT FOR THIS MODEL IS: 5452HST.
3. THE VALVE REPAIR KIT FOR THIS MODEL IS: 5800VRKT.



MOUNTING HOLE



1455 KLEPPE LANE
SPARKS, NEVADA 89431
(775) 359-4712 FAX (755) 359-7424
E-MAIL: HAWS@HAWS.CO.COM
WEBSITE: WWW.HAWS.CO.COM

ECN NO. REVISED PER BY:	MODEL(S)	5452LF	5452LF
3936	ECN. 4514	SLS	SELF-CLOSING GOOSENECK VALVE
DRAWN: DO	DATE: 3/87	SCALE: 1:2	DRAWING TYPE: INSTALLATION
APPROVED: [Signature]	DATE: 12/2012	SIZE: A	SHEET 1 OF 1
PART NUMBER	0002074495	DRAWING NO.	12933A00
REV	5	REV	5

REPLACEMENT PARTS AVAILABLE