

FEATURES & BENEFITS

VALVE

Polished chrome-plated, lead-free brass, lever handle self closing valve features automatic pressure compensation stream control.

QUALITY

Bubbler is pre-built and fully water and pressure tested to ensure no leaks and proper function for reduced installation time and added peace of mind.

BUBBLER HEAD

Polished chrome-plated brass bubbler head is equipped with a shielded, anti-squirt orifice that provides a steady sanitary source of water.

OPTIONS

For more information, visit www.hawsc.com or call (888) 640-4297.



SPECIFICATIONS

Model 5054LF sink or deck mounted bubbler valve shall include a polished chrome-plated brass lever handle operated self-closing valve with vandal-resistant locking pins, shielded anti-squirt vandal resistant polished chrome-plated brass bubbler head, self-regulating flow control assembly, and 1/2" O.D. (1.3 cm) slip-joint inlet.

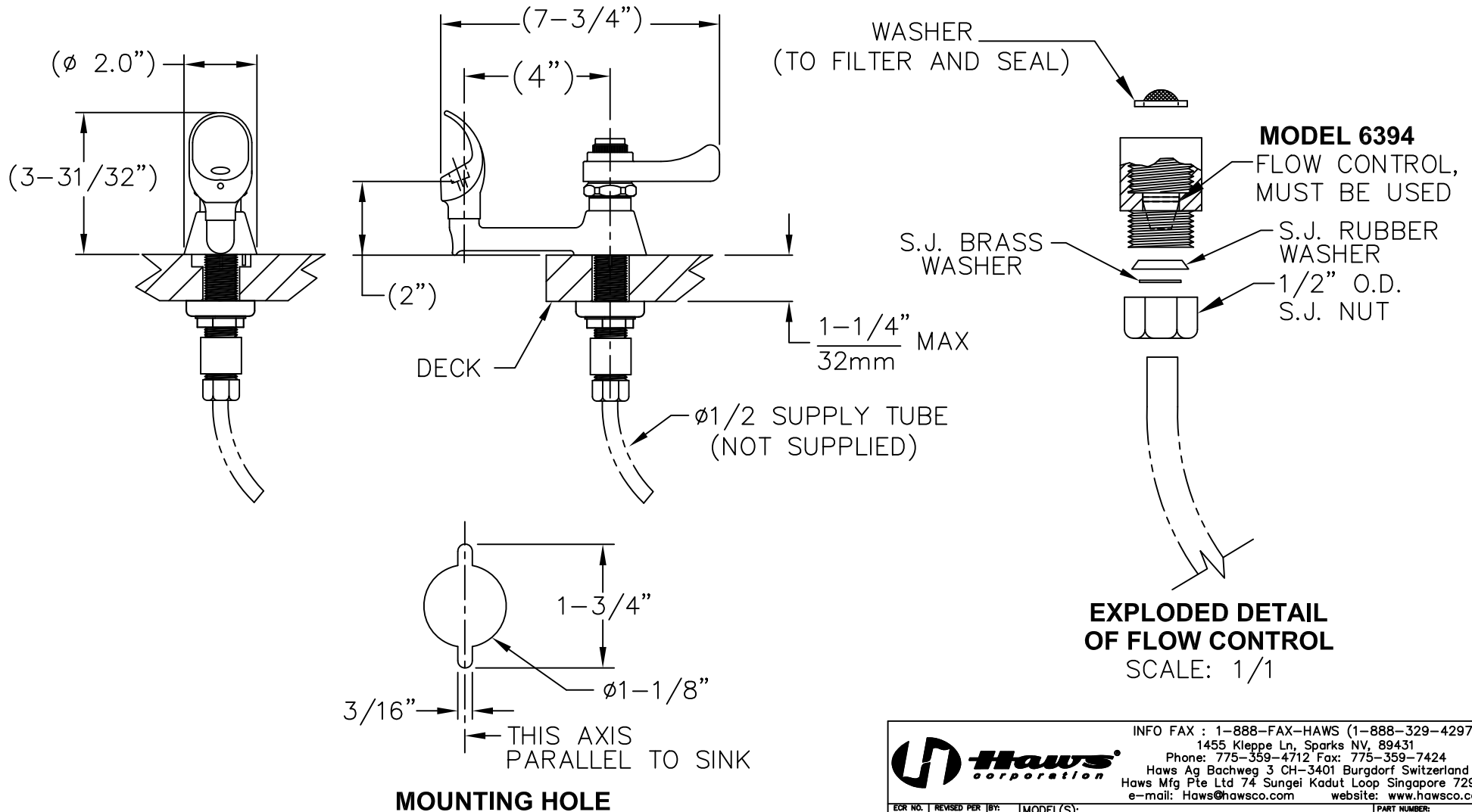
APPLICATIONS

Perfect for either public or private indoor settings, the 5054LF is a great fit in areas where a counter top is in close proximity to a sink/bowl. Specifically, this type of deck mounted drinking faucet may be placed in settings such as: schools, classrooms, laboratories, and other facilities where the need for a deck mounted sink/faucet is present. Haws manufactures drinking fountains, faucets and electric water coolers to be lead-free by all known definitions including NSF/ANSI/CAN 61- Section 9, NSF/ANSI/CAN 372, California Proposition 65, and the Federal Safe Drinking Water Act. Product is compliant to California Health and Safety Code 116875 (AB 1953-2006).



NOTES:

1. BE SURE INDEXING PINS ARE INSTALLED AND ORIENTED TO ACCOMODATE YOUR DESIRED MOUNTING
2. THE HANDLE/STEM REPAIR KIT FOR THIS MODEL IS: 5830HST.
3. THE VALVE REPAIR KIT FOR THIS MODEL IS: 5800VRKT.



EXPLODED DETAIL OF FLOW CONTROL
SCALE: 1/1

		INFO FAX : 1-888-FAX-HAWS (1-888-329-4297) 1455 Kleppe Ln, Sparks NV, 89431 Phone: 775-359-4712 Fax: 775-359-7424 Haws Ag Bachweg 3 CH-3401 Burgdorf Switzerland Haws Mfg Pte Ltd 74 Sungei Kadut Loop Singapore 729531 e-mail: Haws@hawsco.com website: www.hawsco.com	
ECR NO. ECN: 3907	REVISED PER DATE: 09/98	BY: HM	MODEL(S): 5054LF
DRAWN: K.H.	DATE: 09/98	CHK'D: HM	PART NUMBER: 000207540
APPROVED:	DATE:	INFO FAX DOC #: 2505453	DRAWING NUMBER: 12607A00
SCALE: 1:4		DRAWING TYPE: INSTALLATION/FAXBACK	
SIZE: A		SH. 1 OF 1	