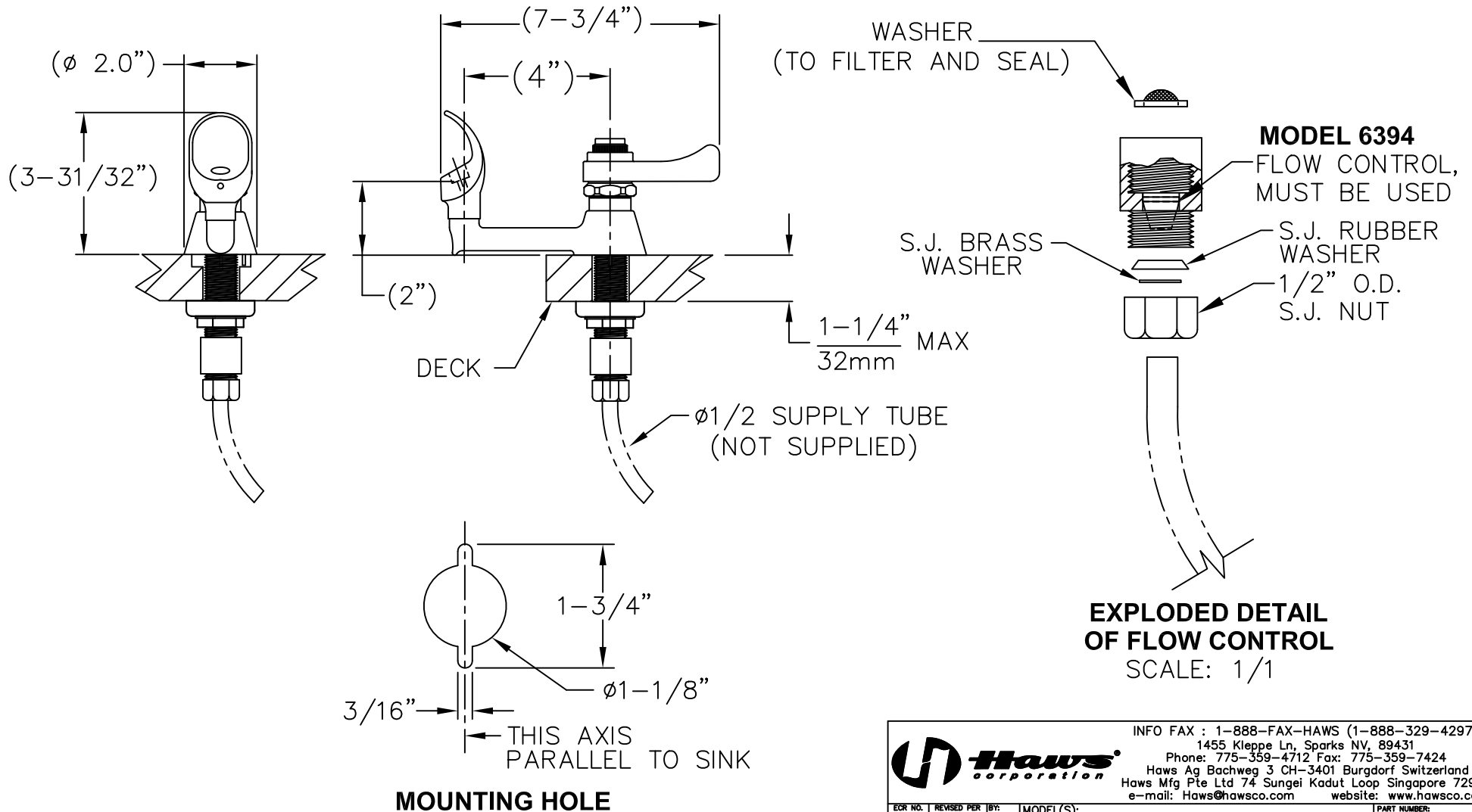


**NOTES:**

1. BE SURE INDEXING PINS ARE INSTALLED AND ORIENTED TO ACCOMODATE YOUR DESIRED MOUNTING
2. THE HANDLE/STEM REPAIR KIT FOR THIS MODEL IS: 5830HST.
3. THE VALVE REPAIR KIT FOR THIS MODEL IS: 5800VRKT.



**EXPLODED DETAIL OF FLOW CONTROL**  
SCALE: 1/1

		INFO FAX : 1-888-FAX-HAWS (1-888-329-4297) 1455 Kleppe Ln, Sparks NV, 89431 Phone: 775-359-4712 Fax: 775-359-7424 Haws Ag Bachweg 3 CH-3401 Burgdorf Switzerland Haws Mfg Pte Ltd 74 Sungei Kadut Loop Singapore 729531 e-mail: Haws@hawsco.com website: www.hawsco.com	
ECR NO. REVISED PER ECN: 3907	BY: HM DATE: 09/98	MODEL(S): 5054LF INFO FAX DOC #: 2505453	PART NUMBER: 0002077540 DRAWING NUMBER: 12607A00 REV: 6
DRAWN: K.H.	APPROVED:	SCALE: 1:4 DRAWING TYPE: INSTALLATION/FAXBACK	SIZE: A SH: 1 OF 1