

## FEATURES & BENEFITS

### VALVE

Polished chrome-plated, lead-free brass, lever handle self-closing valve features screwdriver adjustment stream control.

### QUALITY

Bubbler is pre-built and fully water and pressure tested to ensure no leaks and proper function for reduced installation time and added peace of mind.

### BUBBLER HEAD

Polished chrome-plated brass bubbler head is equipped with a shielded, anti-squirt orifice that provides a steady sanitary source of water.

## OPTIONS

For more information, visit [www.hawsc.com](http://www.hawsc.com) or call (888) 640-4297.



## SPECIFICATIONS

Model 5060LF bubbler valve shall include a polished chrome-plated brass lever handle valve with adjustable stream capabilities, polished chrome-plated brass bubbler head, and 1/2" IPS inlet.

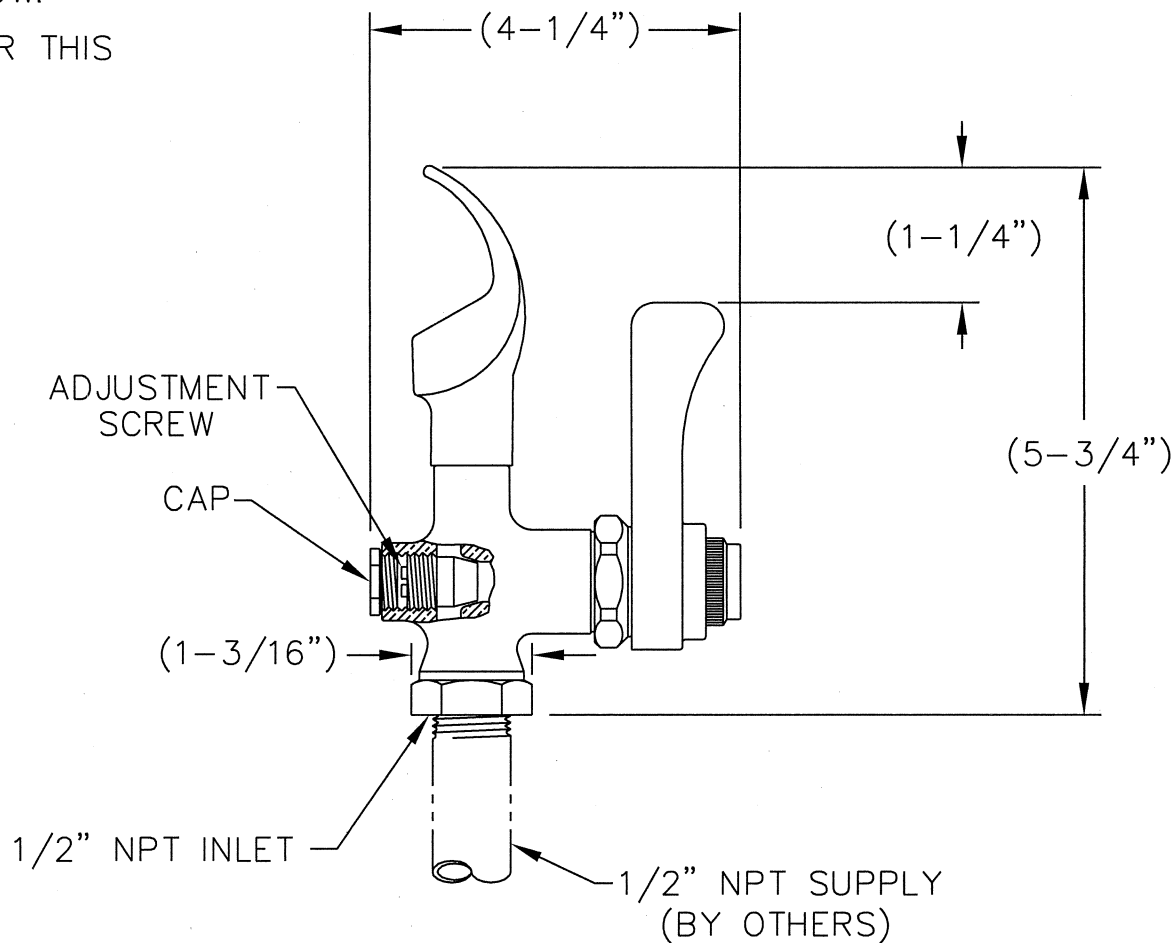
## APPLICATIONS

Perfect for either public or private indoor settings, the 5060LF is a great fit in areas where a counter top is in close proximity to a sink/bowl. Specifically, this type of deck mounted drinking faucet may be placed in settings such as: schools, classrooms, laboratories, and other facilities where the need for a deck mounted sink/faucet is present. Haws manufactures drinking fountains, faucets and electric water coolers to be lead-free by all known definitions including NSF/ANSI/CAN 61- Section 9, NSF/ANSI/CAN 372, California Proposition 65, and the Federal Safe Drinking Water Act. Product is compliant to California Health and Safety Code 116875 (AB 1953-2006).



**NOTES:**

1. TO ADJUST FLOW, TURN ADJUSTMENT SCREW COUNTER CLOCKWISE TO INCREASE FLOW AND CLOCKWISE TO DECREASE FLOW.
2. THE HANDLE/STEM REPAIR KIT FOR THIS MODEL IS: 5830HST.
3. THE VALVE REPAIR KIT FOR THIS MODEL IS: 5800VRKT.



		INFO FAX : 1-888-FAX-HAWS (1-888-329-4297) 1455 Kleppe Ln, Sparks NV, 89431 Phone: 775-359-4712 Fax: 775-359-7424 Haws Ag Bachweg 3 CH-3401 Burgdorf Switzerland Haws Mfg Pte Ltd 74 Sungei Kadut Loop Singapore 729531 e-mail: Haws@hawsco.com website: www.hawsco.com	
ECR NO. ECN: 3907	REVISED PER DATE: 10/96	BY: HM	MODEL(S): 8060LF
DRAWN: KH	DATE: 10/96	CHECKED: HM	PART NUMBER: 0002077536
APPROVED: [Signature]	DATE: 10/96	INFO FAX DOC #: 2506053	DRAWING NUMBER: 12643A00
SCALE: 1:2		DRAWING TYPE: INSTALLATION/FAXBACK	REV. 3 SIZE: A SH. 1 OF 1