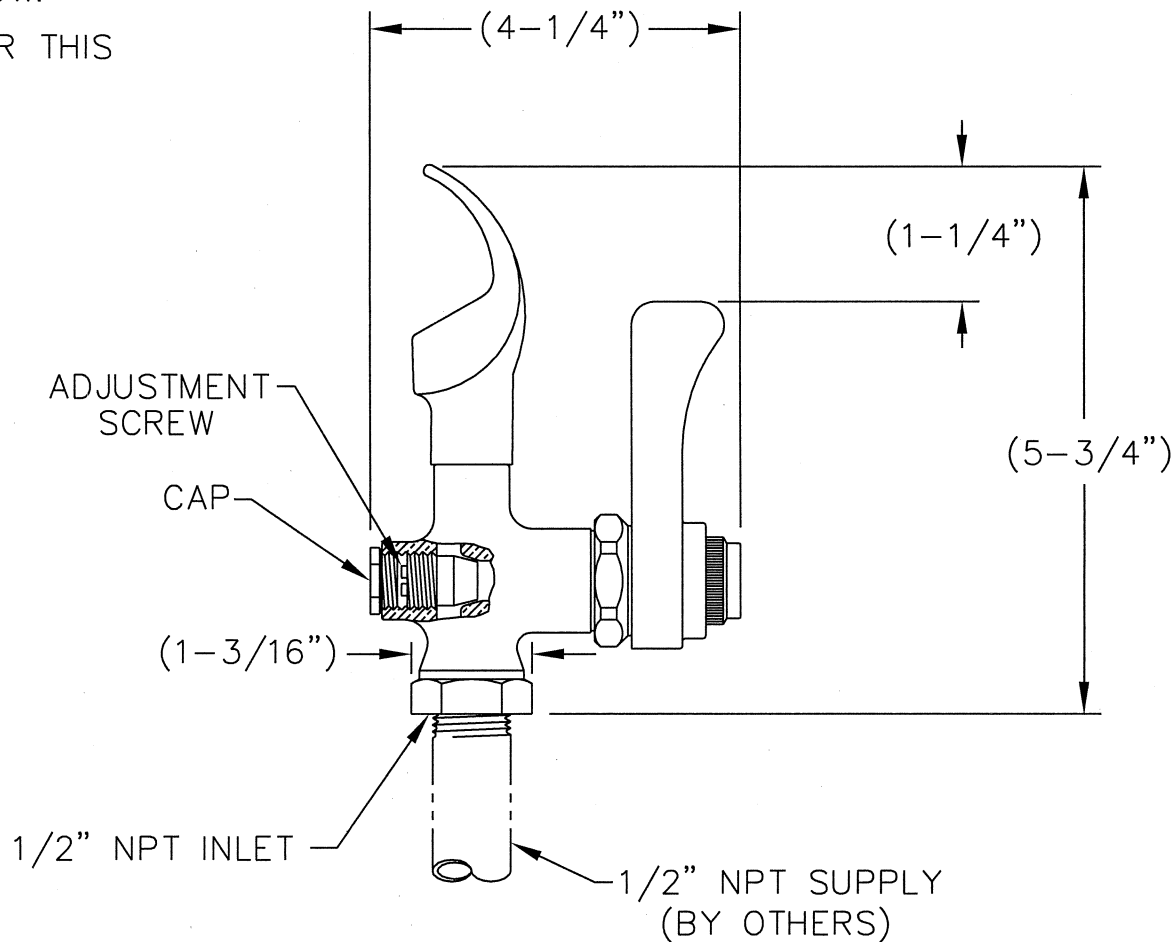


NOTES:

1. TO ADJUST FLOW, TURN ADJUSTMENT SCREW COUNTER CLOCKWISE TO INCREASE FLOW AND CLOCKWISE TO DECREASE FLOW.
2. THE HANDLE/STEM REPAIR KIT FOR THIS MODEL IS: 5830HST.
3. THE VALVE REPAIR KIT FOR THIS MODEL IS: 5800VRKT.



		INFO FAX : 1-888-FAX-HAWS (1-888-329-4297) 1455 Kleppe Ln, Sparks NV, 89431 Phone: 775-359-4712 Fax: 775-359-7424 Haws Ag Bachweg 3 CH-3401 Burgdorf Switzerland Haws Mfg Pte Ltd 74 Sungei Kadut Loop Singapore 729531 e-mail: Haws@hawsco.com website: www.hawsco.com	
		ECR NO. REVISED PER BY: MODEL(S): ECN: 3907 HM 5060LF	PART NUMBER: 0002077536
DRAWN: KH DATE: 10/96 APPROVED: [Signature]	INFO FAX DOC #: 2506053 SCALE: 1:2 DRAWING TYPE: INSTALLATION/FAXBACK	DRAWING NUMBER: 12643A00 SIZE: A	REV. 3 SHT. 1 OF 1