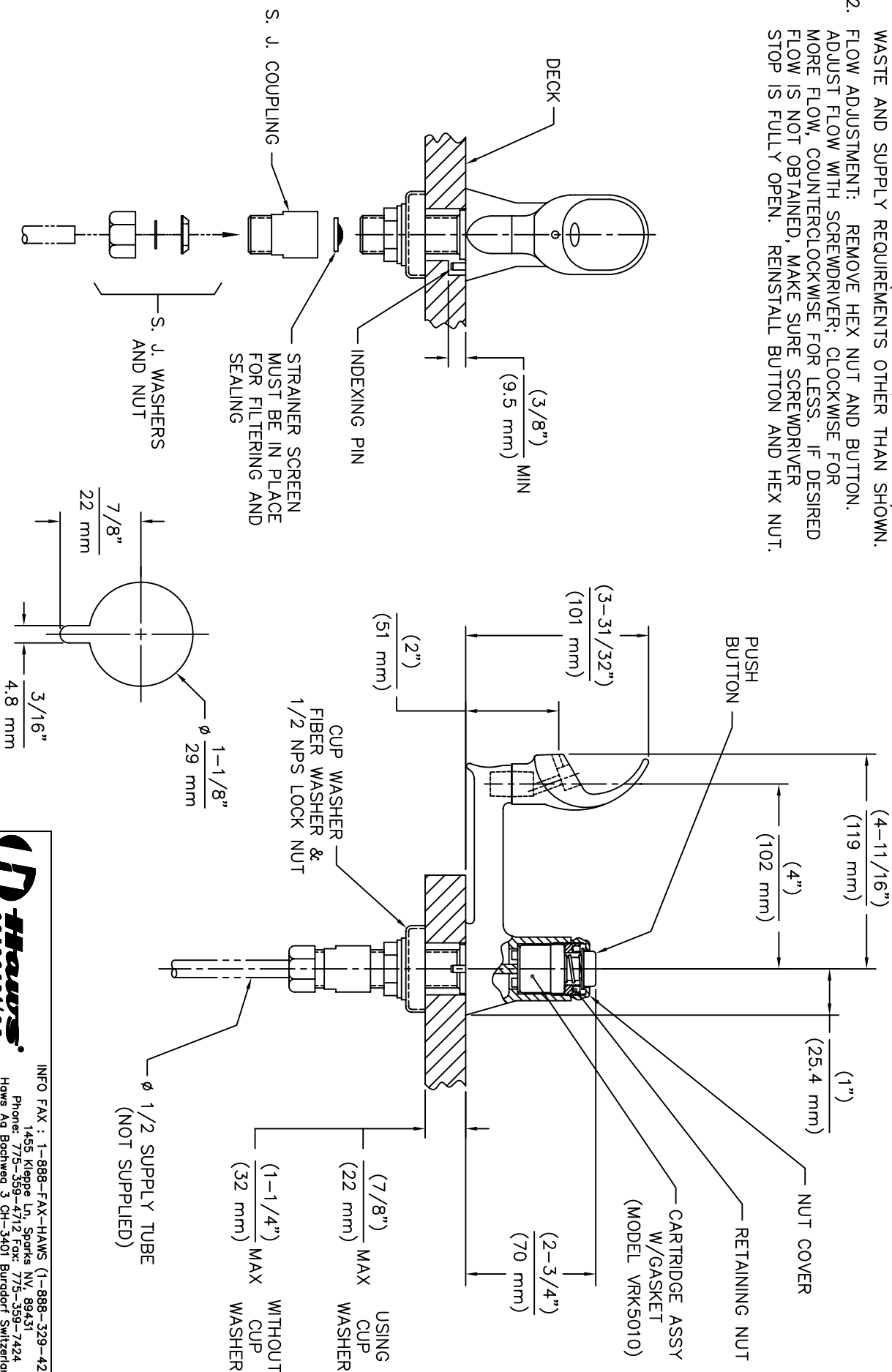


NOTES:

1. WHEN INSTALLING THIS UNIT, LOCAL, STATE OR FEDERAL CODES SHOULD BE ADHERED TO FOR INSTALLATION PARAMETERS (DIMENSIONS, LOCATIONS) AND WASTE AND SUPPLY REQUIREMENTS OTHER THAN SHOWN.
2. FLOW ADJUSTMENT: REMOVE HEX NUT AND BUTTON. ADJUST FLOW WITH SCREWDRIVER; CLOCKWISE FOR MORE FLOW, COUNTERCLOCKWISE FOR LESS. IF DESIRED FLOW IS NOT OBTAINED, MAKE SURE SCREWDRIVER STOP IS FULLY OPEN. REINSTALL BUTTON AND HEX NUT.



MOUNTING HOLE

SCALE: 2/1

Haws Corporation

INFO FAX : 1-888-FAX-HAWS (1-888-329-4297)

1455 Kleppe Ln, Sparks, NV, 89431
 Phone: 775-356-4715, Fax: 775-356-7424
 Haws Pk Bldg 3, Ch-3401, Burgdorf, Switzerland
 Haws Wfg Pk Bldg 74, Sunglei Kodut, Singapore 729531
 e-mail: Haws@hawsco.com website: www.hawsco.com

FORM NO: 5017LF
 DATE: 07/99
 MODEL(S): 5017LF
 INFO FAX DOC #: 250173
 SCALE: 1:3
 DRAWING TYPE: INSTALLATION/FABRICK

REV: 00079577512
 DRAWN: 14148C00
 CHECKED: 1
 DATE: 7/99