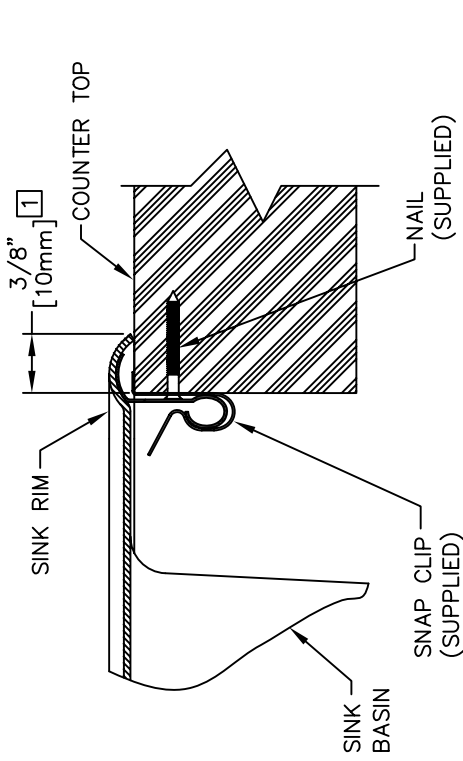
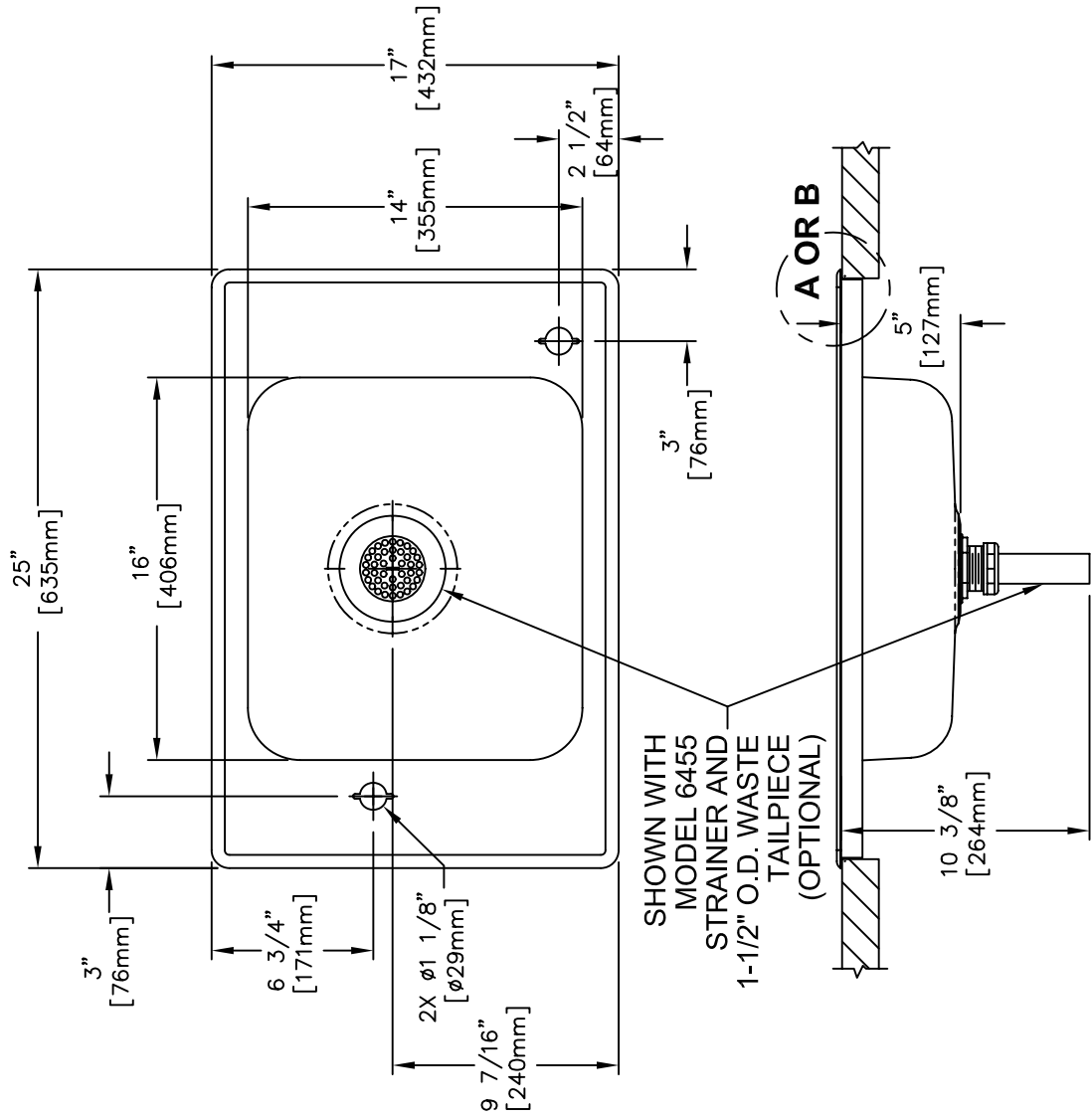
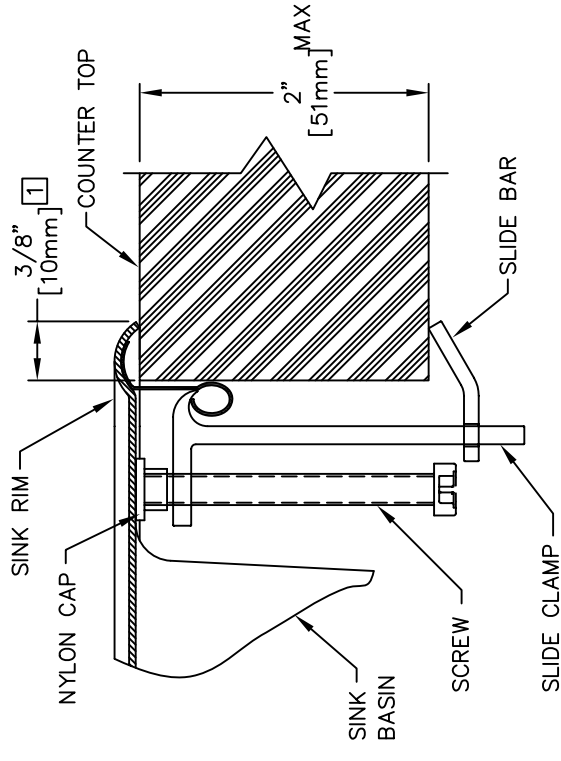


THIS DOCUMENT IS TRUE AND CORRECT AT TIME OF PUBLICATION. CONTINUED PRODUCT IMPROVEMENTS MAKE SPECIFICATIONS AND MEASUREMENTS SUBJECT TO CHANGE WITHOUT NOTICE.



**DETAIL A**  
SNAP CLIP MOUNTING SYSTEM (STANDARD)  
P/N 0001699184



**DETAIL B**  
ADJUSTABLE SINK CLAMP MOUNTING SYSTEM  
(OPTIONAL) P/N 0001690117

**NOTE:**

- 1 MAKE SURE CUTOUT IS 3/8" LESS THAN SINK RIM AROUND ALL EDGES.
- CAUTION: DO NOT CUT HOLE IN COUNTERTOP UNTIL SINK IS AT HAND.



INFO FAX : 1-888-FAX-HAWS (1-888-329-4297)  
1455 Kleppe Ln, Sparks NV, 89431  
Phone: 775-359-4712 Fax: 775-359-7424  
Haws Ag, Bachweg 3, CH-3401 Burgdorf Switzerland  
Haws Mfg Pte Ltd 74 Sungai Kadut Loop Singapore 729531  
e-mail: Haws@hawsco.com website: www.hawsco.com

FOR NO.:	REVISION:	DATE:	BY:
ECN: 4172	HM	04/03	4210
DATE:	DATE:	DATE:	DATE:
APPROVE:	DATE:	SCALE:	1:1
MODEL(S):	000707501.D	DRAWING NUMBER:	02042000
INFO. FAX. DOC. #:	24210232	SIZE:	A
TRAINING TYPE:	INSTALLATION/FABRICATION	SHEET:	1 OF 1