



model 1105HO

Vandal-Resistant Motion-Activated Drinking Fountain

FEATURES & BENEFITS

CONSTRUCTION

Unit is made of 18 gauge Type 304 stainless steel with a satin finish that resists stains and corrosion, and has soft, rounded corners. Unit features stainless steel satin finish back panel, vandal-resistant bottom plate, and 1-1/4" integral trap.

QUALITY CONTROL

Pre-built fountain is pressure tested to ensure and proper functionality..

BUBBLER HEAD

Polished chrome-plated brass bubbler head with integral 1 1/16" dia. basin shank and stainless anti-rotation roll pin for vandal resistance strength. Shielded, angled stream opening provides a steady, sanitary source of drinking water at .45 gpm.

FOUNTAIN VALVE

Fountain incorporates a touchless sensor operated stainless steel solenoid valve controlled by a transformer for handsfree operation. A pressure regulator is used to adjust the bubbler flow according to incoming water pressures.

INTEGRATED TRAP

All cast brass 1-1/4" NPT adjustable trap completely concealed inside bottom plate for easy installation and access.

TAMPER RESISTANT

30-second obstruction time-out to reduce tampering of sensor.

VANDAL-RESISTANT

The bubbler head, drain strainer and bottom plate are locked in place, discouraging unwanted vandal tampering.

OPTIONS

- Remote Drinking Fountain Water chiller: Model HCR8, 8 gph (30.3 L) remote water chiller provides instantaneous cooling to meet a continuous demand for chilled water.
- Mounting Plate: Model 6700 universal mounting plate for most wall mounted fountains.
- Support Frame: Model 6800 universal in-wall mounting support for use with most fountains.
- Bottle Filler: Model 1920HO, bottle filler can be a standalone station, or mounted above Haws 1001, 1011, 1107L, 1109, 1117L, and 1119 series drinking fountain models.

For more information, visit www.hawsc.com or call (888) 640-4297.



SPECIFICATIONS

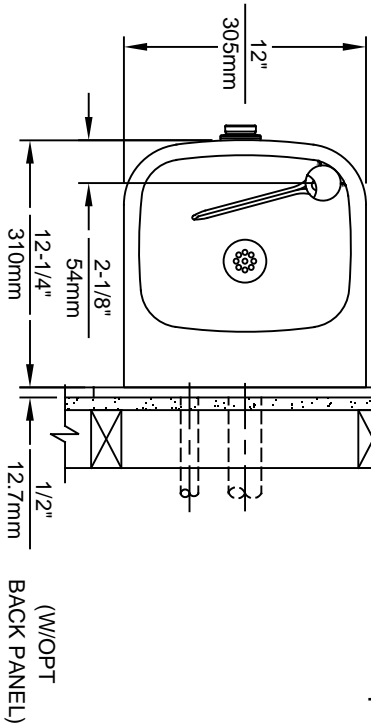
Model 1105HO wall mounted vandal-resistant motion activated drinking fountain shall include an 18 gauge Type 304 Stainless Steel satin finish basin, touchless sensor operated stainless steel solenoid valves with 30-second obstruction time-out controlled by a transformer, 100% lead-free waterways, polished chrome-plated brass vandal-resistant bubbler head, polished chrome-plated brass vandal-resistant waste strainer, vandal-resistant bottom plate, and 1-1/4" NPT trap.

FOR INDOOR USE ONLY APPLICATIONS

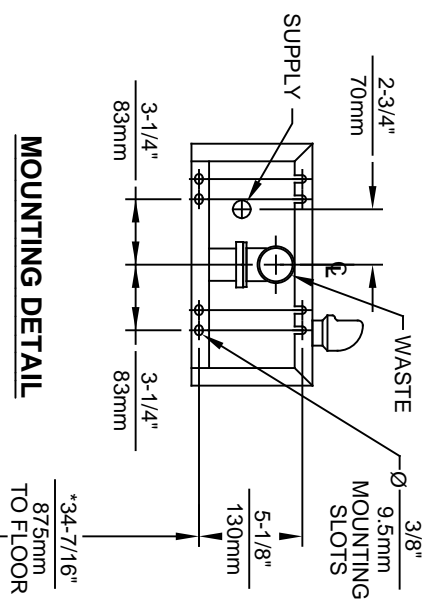
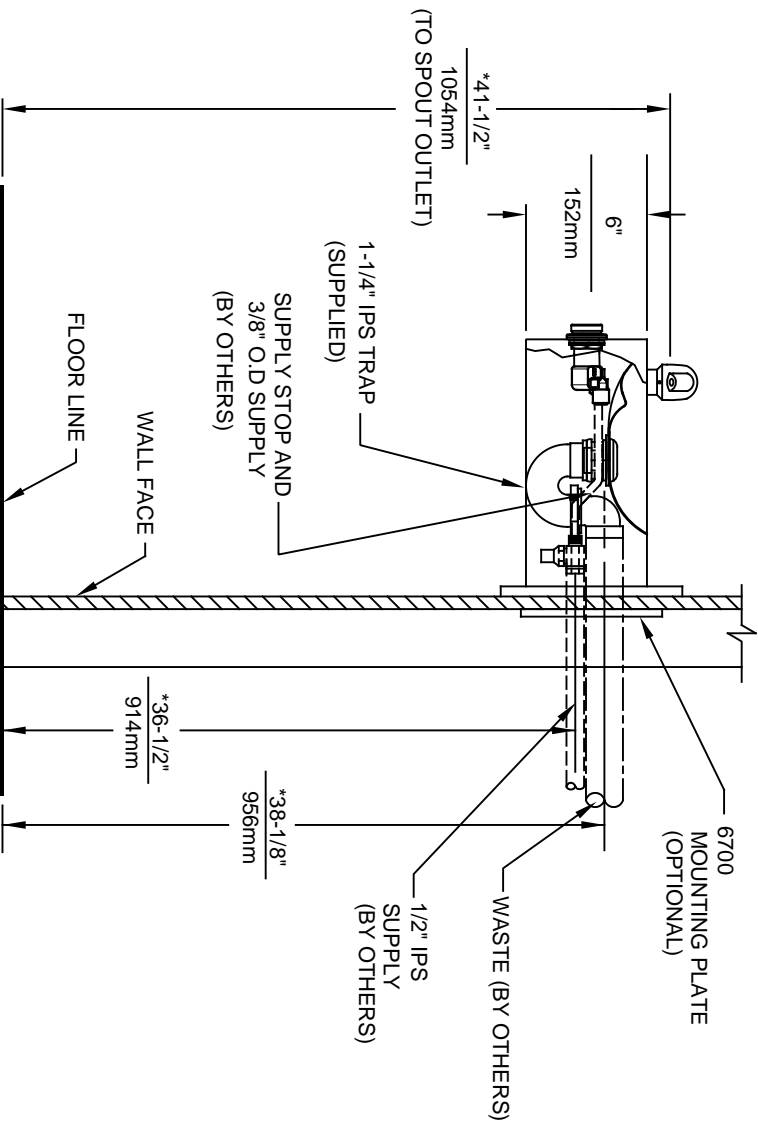
Perfect for either public or private indoor/outdoor settings, Model 1105HO is a great fit in areas where aesthetics are important to the overall appeal of the architecture. Beautiful satin finish helps to maintain the fountains overall appeal. Specifically, this type of wall mounted drinking fountain may be placed in settings such as: schools and other locations in and around office buildings where the temperature remains above freezing. Haws manufactures drinking fountains, faucets and electric water coolers to be lead-free by all known definitions including NSF/ANSI/CAN 61-Section 9, NSF/ANSI/CAN 372, California Proposition 65, and the Federal Safe Drinking Water Act. Product is compliant to California Health and Safety Code 116875 (AB 1953-2006), and NSF/ANSI/CAN 61: Q ≤ 1.



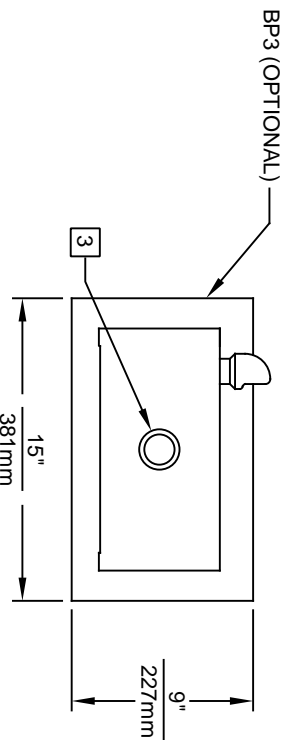
Available with hands off sensor
in lieu of push button valve.



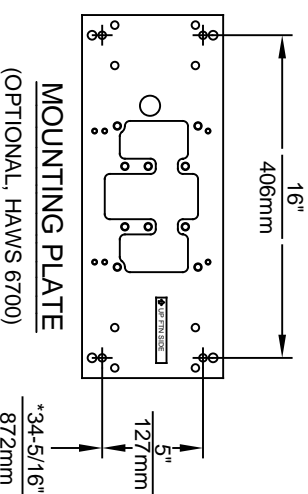
(W/OPT
BACK PANEL)



MOUNTING DETAIL



BP3 (OPTIONAL)



MOUNTING PLATE
(OPTIONAL, HAWS 6700)



MOUNTING PLATE
(OPTIONAL, HAWS 6700)

34-5/16"
872mm

NOTES:

1. HOLD ROUGH-IN DIMENSIONS $\pm 1/4"$ (6.4mm).
2. WHEN INSTALLING THIS UNIT LOCAL, STATE OR FEDERAL CODES SHOULD BE ADHERED TO. FOR INSTALLATION HEIGHTS OTHER THAN SHOWN, DIMENSIONS MARKED (*) MUST BE ADJUSTED ACCORDINGLY.
3. REFER TO 5874 SERIES OPERATION AND MAINTENANCE MANUAL FOR PUSH BUTTON AND VALVE INSTALLATION/MAINTENANCE INSTRUCTIONS.



Haws

1456 KLEPPE LANE
SPARKS, NEVADA 89431
(775) 359-4712 FAX (775) 359-7424
E-MAIL: HAWS@HAWS.CO.COM
WEBSITE: WWW.HAWS.CO.COM

ECN NO. REVISED PER BY:	MODEL(S)	PART NUMBER
ECN: 5215		0002076524.D
DATE: 12/97		REVISION: 18
CHKD: GC		
APPROVED: FV		
DATE: 11/22/17	SCALE: NA	DRAWING TYPE: INSTALLATION
		SIZE: A SHEET: 1 OF 1