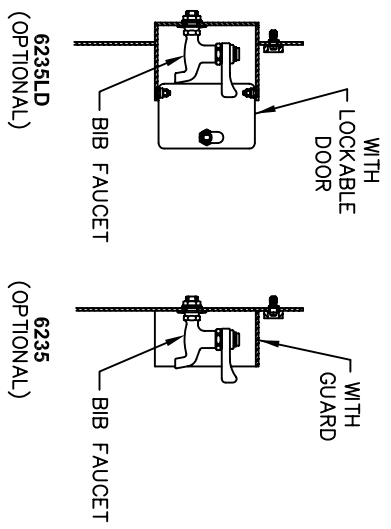
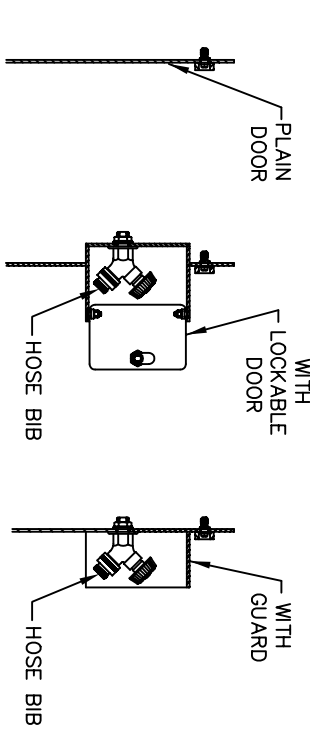


**MODEL 3500 SHOWN  
(SEE SHEET 2 FOR MODEL 3500D)**

- NOTES: (UNLESS OTHERWISE SPECIFIED)
- PET FOUNTAIN IS STANDARD FOR MODEL 3500D ONLY. SEE SHEET 2 FOR INSTALLATION DETAILS.
  - SAND TRAP MODEL 6635 W/ MOUNTING PLATE (OPTIONAL). SEE MODEL 6635 FOR ADDITIONAL INSTALLATION INSTRUCTIONS.
  - REFER TO 5874SS OPERATION AND MAINTENANCE MANUAL FOR PUSH BUTTON AND VALVE INSTALLATION/MAINTENANCE INSTRUCTIONS.
- (NOTES CONTINUED ON SHEET 2)



ACCESS DOOR SPECIFIED BY CUSTOMER AND SHIPPED SEPARATELY UNDER MODEL NUMBERS SHOWN ABOVE:

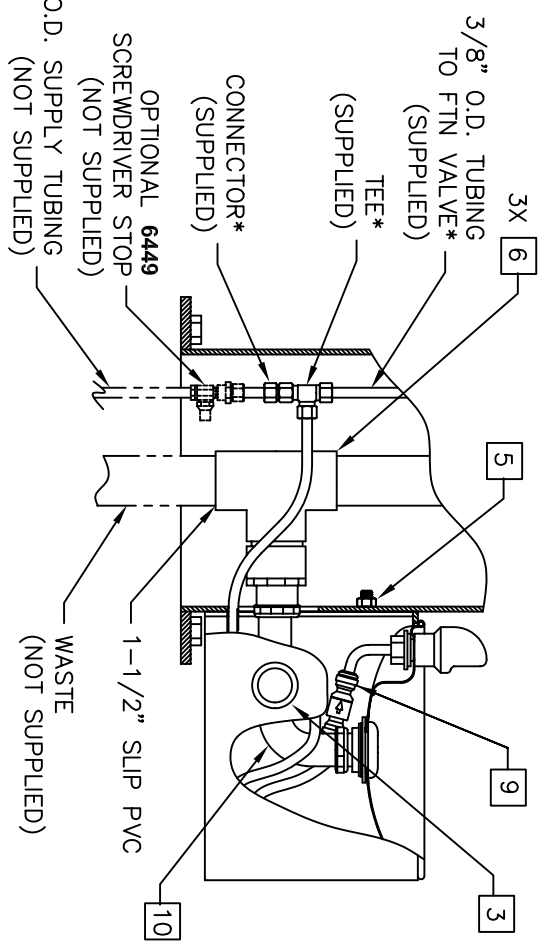
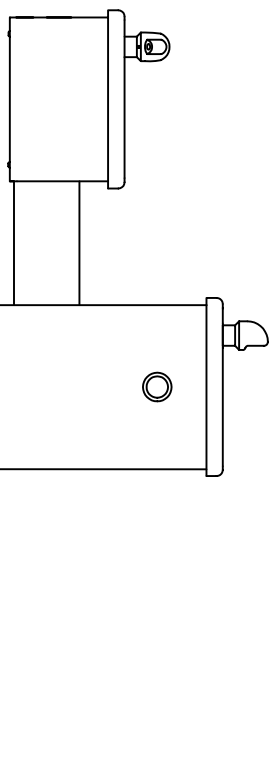
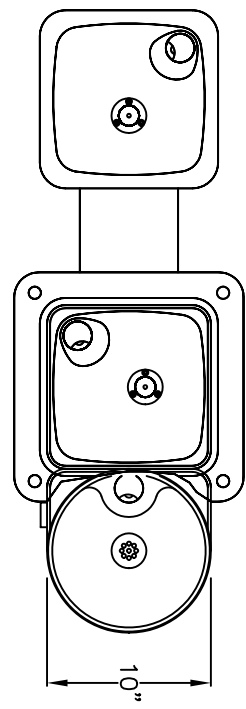
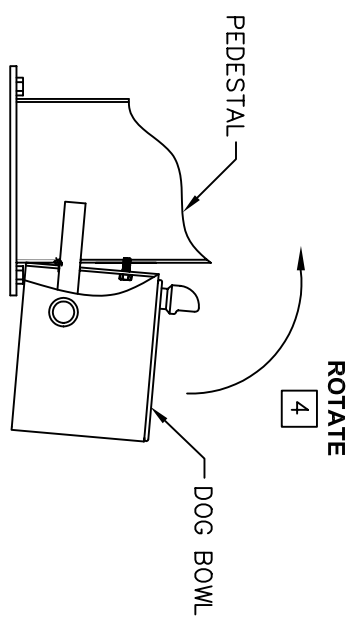
1455 KLEPPE LANE  
SPARKS, NEVADA 89431  
(775) 359-4712 FAX (775) 359-7424  
E-MAIL: HAWS@HAWS.CO.COM  
WEBSITE: WWW.HAWS.CO.COM

EQ# NO.:	35000/3500D	MODEL(S):	35000/3500D
EQUIP. NO.:	4018	REV.:	HAW
DATE:	02/04/93	INFO FAX DOC #:	23500/235003
APPROVER:	[Signature]	INSTALLATION/FAC. BACK:	[Signature]
DATE:	[Blank]	SIZE:	A
SHEET:	1	OF:	2

**NOTES: (CONTINUED)**

- 4 SLIDE DOWELS ON DOG BOWL INTO HOLES OF PEDESTAL AND ROTATE UPWARD.
- 5 INSTALL 7/16-14UNC NUT ON STUD AND TIGHTEN 3/4 TURN PAST HAND TIGHT.
- 6 BOND JOINTS WITH PVC CEMENT AND PRIMER.
- 7. APPLY SUPPLY HOSE AND WASTE LINE.
- 8. TEST SYSTEM AFTER ASSEMBLY.
- 9 A CHECK VALVE IS INSTALLED IN THIS LOCATION TO PREVENT CROSS CONNECTION BETWEEN BUBBLERS.

- 10 NOTE: DRAINAGE ASSEMBLY SLIDES VERTICALLY ON HOLDER. UPON COMPLETION OF INSTALLATION, PUSH UP ON BOTTOM OF ELBOW TO ENSURE POSITIVE DRAINAGE OF WASTE.



**MODEL 3500D SHOWN  
(SEE SHEET 1 FOR MODEL 3500)**



1455 KLEPPE LANE  
SPARKS, NEVADA 89431  
(775) 359-4712 FAX (775) 359-7424  
E-MAIL: HAWS@HAWSCO.COM  
WEBSITE: WWW.HAWSCO.COM

EDITION:	REVISIONS:	MODEL(S):	DATE:	DATE:	DATE:
ECON. 4018	HAW	3500/3500D	06/06/00	06/06/00	06/06/00
SCALE:	1:12	INFO FAX DOC #:	23500/235003		
DRAWING TYPE:			INSTALLATION/FAKBACK		
POST NUMBER:	0002077448.D	DATE:	11/11/00		
DRAWING NUMBER:	13962C				
SHEET:	2 OF 2				