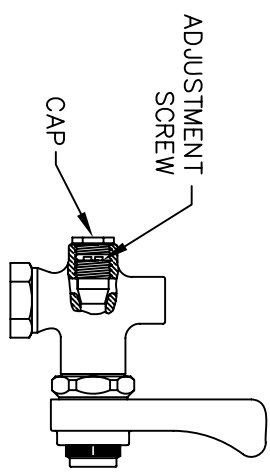
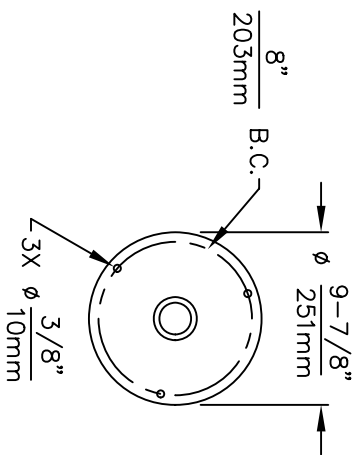


TO ADJUST FLOW, TURN ADJUSTMENT SCREW  
COUNTER CLOCKWISE TO INCREASE FLOW, AND  
CLOCKWISE TO DECREASE FLOW.




**VALVE DETAIL**  
SCALE: 3X



**MOUNTING DETAIL**

ROUGH-IN DIMENSIONS MAY VARY ±1/4" (6.4mm).



INFO FAX : 1-888-FAX-HAWS (1-888-329-4297)  
1455 Kieppe Ln, Sparks NV, 89431  
Phone: 775-359-4712 Fax: 775-359-7424  
Haws Ag Bachweg 3 CH-3401 Burgdorf Switzerland  
Haws Mfg Pte Ltd 74 Sungei Kadut Loop Singapore 729531  
e-mail: Haws@hawsco.com website: www.hawsco.com

FORM NO.	RENGED PER.	BY	MODEL(S)
DATE	DATE	DATE	DATE
3/82	3/82	3/82	3482
INFO FAX	DOC #	23482	
SCALE	1:10		
DRAWING TYPE	INSTALLATION/BACK		
PART NUMBER	0002077446.D		
DRAWING NUMBER	10210000		
SIZE	A 1 SHT 1 OF 1		