

FEATURES & BENEFITS

SMART ENERGY SAVINGS MODE

Energy saving feature allows unit to power off the refrigeration system after 2 hours of non-use and dark ambient light conditions. Unit will automatically start back up next time unit is used or lights are turned back on.

PROGRAMMABLE FEATURES

Program your cooler to be in off mode during planned facility shut downs, change the settings on the digital readout for bright or dim display, adjust sensor range, and review settings and error codes.

VANDAL RESISTANT FEATURES

Exceptional vandal resistance features include a hidden programming button, anti-rotational bubbler head with an optional stainless steel bubbler head, UPC impact tested bowl supports, Torx bit access screws, steel frame, and fasteners hidden from public view.

MODERN INNOVATIVE DESIGN

Modern, innovative design with stainless steel finish gives a sleek look and feel to high-end architectural spaces and lobbies.

UNIVERSAL MOUNTING

Specially designed internal configuration allows for mounting over existing competitors rough-ins.

BUBBLER HEAD

Bubbler features a flexible antimicrobial mouth guard to protect against injury and microorganisms. Anti-rotational design prevents unwanted attempts to remove or rotate the head

ELECTRONIC DISPLAY

Intuitive LED electronic display educates users when the bottle filler is activated, when the water is being filtered and how many plastic bottles have been saved.

BOTTLE FILLER

Quick fill sensor-operated bottle filler is accessible to all users, has LED lighting to illuminate the fill area, and an integral basin that drains directly to the waste.

AUTO PURGE

Bottle filler automatically purges the water line after 24 hours of non-use to prevent the development and growth of Legionella and other harmful bacteria.

OPTIONS

- Bubbler Head: Model 5716, stainless steel bubbler head for the Haws 1200 series water coolers.

For more information, visit www.hawsc.com or call (888) 640-4297.



SPECIFICATIONS

Model 1211S indoor wall-mount ADA stainless steel water cooler and bottle filling station shall include an ASHRAE compliant, hermetically sealed R-134a refrigeration system with thermostat. Unit features a unique, modern design with 304 satin finish stainless steel outer shell. Energy savings feature powers down refrigeration system after 2 hours of non-use and the lights shut off, and will automatically start again when used. The unit can also be programmed to shut down during planned facility closures, weekends, etc. Digital LED interface keeps user apprised of programming and error codes. Bottle filler basin drains directly to the units waste. The system includes an electronic front push bar controlled solenoid valve, a .45 gpm self-regulating, anti-rotational bubbler head with flexible antimicrobial mouth guard, bubbler head deactivation feature, bottle filler auto purge every 24 hours, instantaneous tankless water cooler for consistent cool water, and LED illuminated bottle fill area. 115 Volts, 60Hz, rated watts: 350, full load amps: 5. Dimensions: 18-3/4 x 15-11/16 x 40-3/4". (L x W x H)

APPLICATIONS

Great for schools, office buildings, shopping malls, and other indoor environments where there is a demand for a chilled water source. CSA certified to comply with NSF/ANSI/CAN 61: Q ≤ 1, NSF/ANSI/CAN 372, ASME A112.18.1/CSA B125.1, ASME 112.19.3/CSA B45.4, UL 399 and CSA C22.2 No. 120. ADA compliant to ICC A117.1, CSA B651, DOJ's 2010 ADA Standards for Accessible Design when properly installed. ASHRAE 18 compliant chilling capacity. FCC and CAN ICES – 3(A)/NMB-3(A). Electric water coolers are not recommended or designed for outdoor applications or enclosed pool areas (chlorine), and failure to heed these conditions may void warranty. 5 Year Limited Warranty on the refrigeration system of the unit. Electrical components and water system are warranted for 12 months from date of installation. Warranty pertains to drinking water applications only.



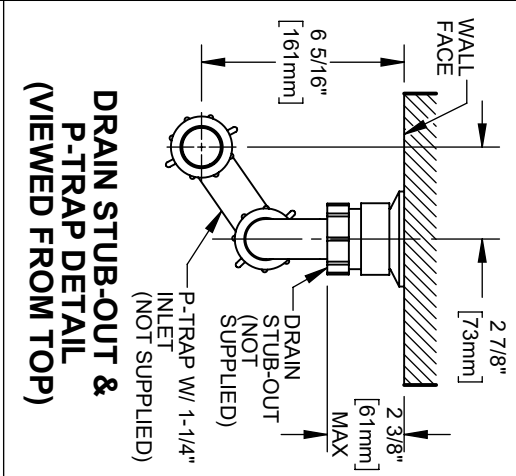
THIS DOCUMENT IS TRUE AND CORRECT AT TIME OF PUBLICATION. CONTINUED PRODUCT IMPROVEMENTS MAKE SPECIFICATIONS AND MEASUREMENTS SUBJECT TO CHANGE WITHOUT NOTICE

NOTES:

1. HOLD PLUMBING & ELECTRICAL DIMENSIONS ±1/4" (6.4mm). HOLD MOUNTING DIMENSIONS ±1/8" (3.2MM).
2. ADHERING TO PROVIDED INSTALLATION HEIGHT DIMENSIONS WILL ALLOW A SINGLE WATER COOLER (OR THE LOW WATER COOLER IN A HI-LO INSTALLATION), AND THE BOTTLE FILLER (IF APPLICABLE) TO BE INSTALLED AT ADULT ADA HEIGHT. FOR INSTALLATION HEIGHTS OTHER THAN SHOWN, DIMENSIONS MARKED (*) MUST BE ADJUSTED ACCORDINGLY. WHEN INSTALLING THIS UNIT, LOCAL, STATE, OR FEDERAL CODES SHOULD BE ADHERED TO.

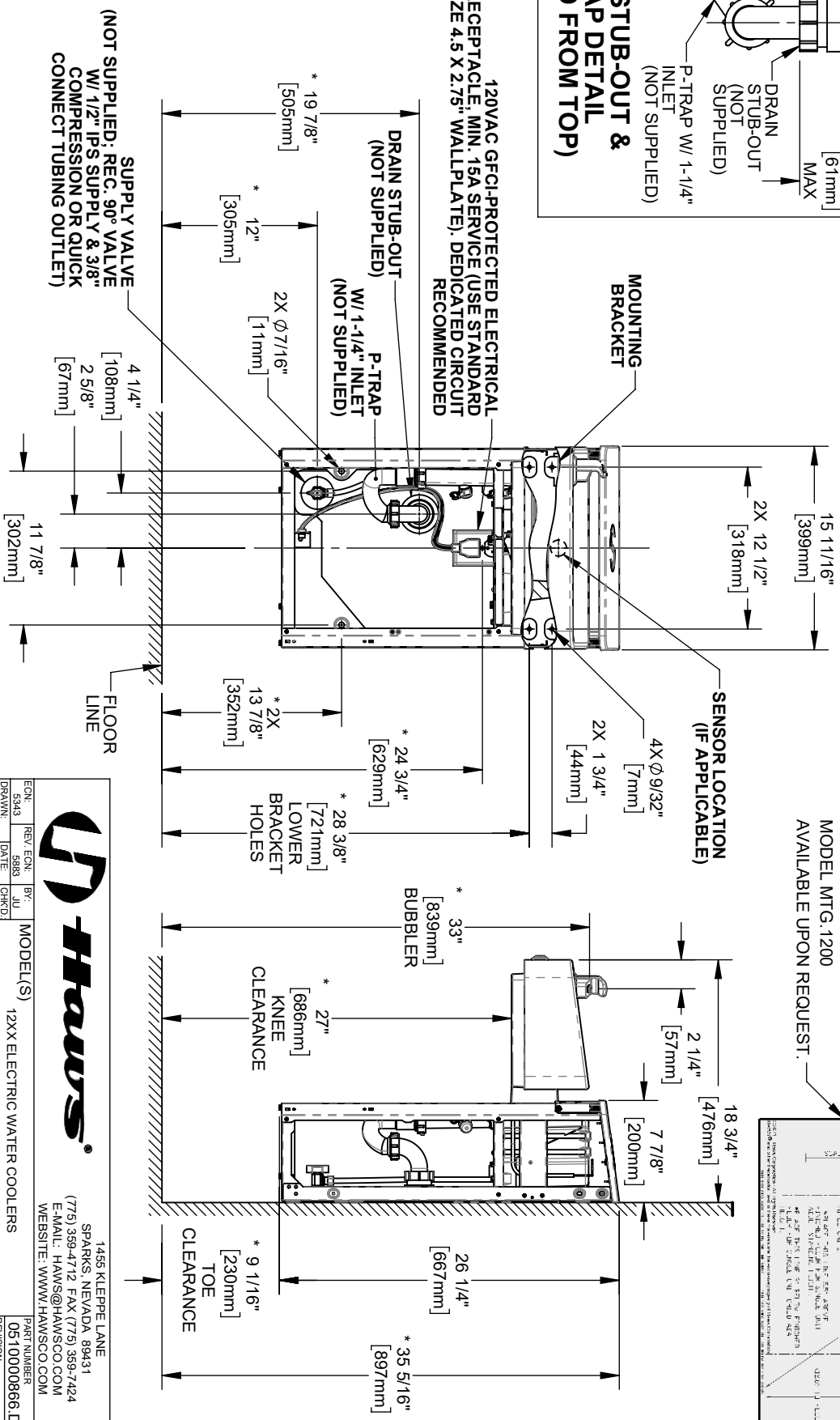
TYPICAL SINGLE (OR LOW) UNIT INSTALLATION

(REFRIGERATION COMPONENTS HIDDEN FOR CLARITY)

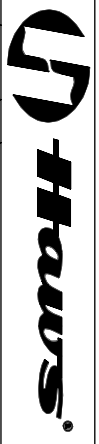
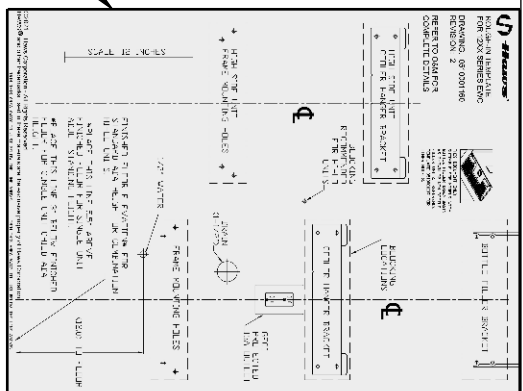


DRAIN STUB-OUT & P-TRAP DETAIL (VIEWED FROM TOP)

120VAC GFCI-PROTECTED ELECTRICAL RECEPTACLE, MIN. 15A SERVICE (USE STANDARD SIZE 4.5 X 2.75" WALLPLATE). DEDICATED CIRCUIT RECOMMENDED



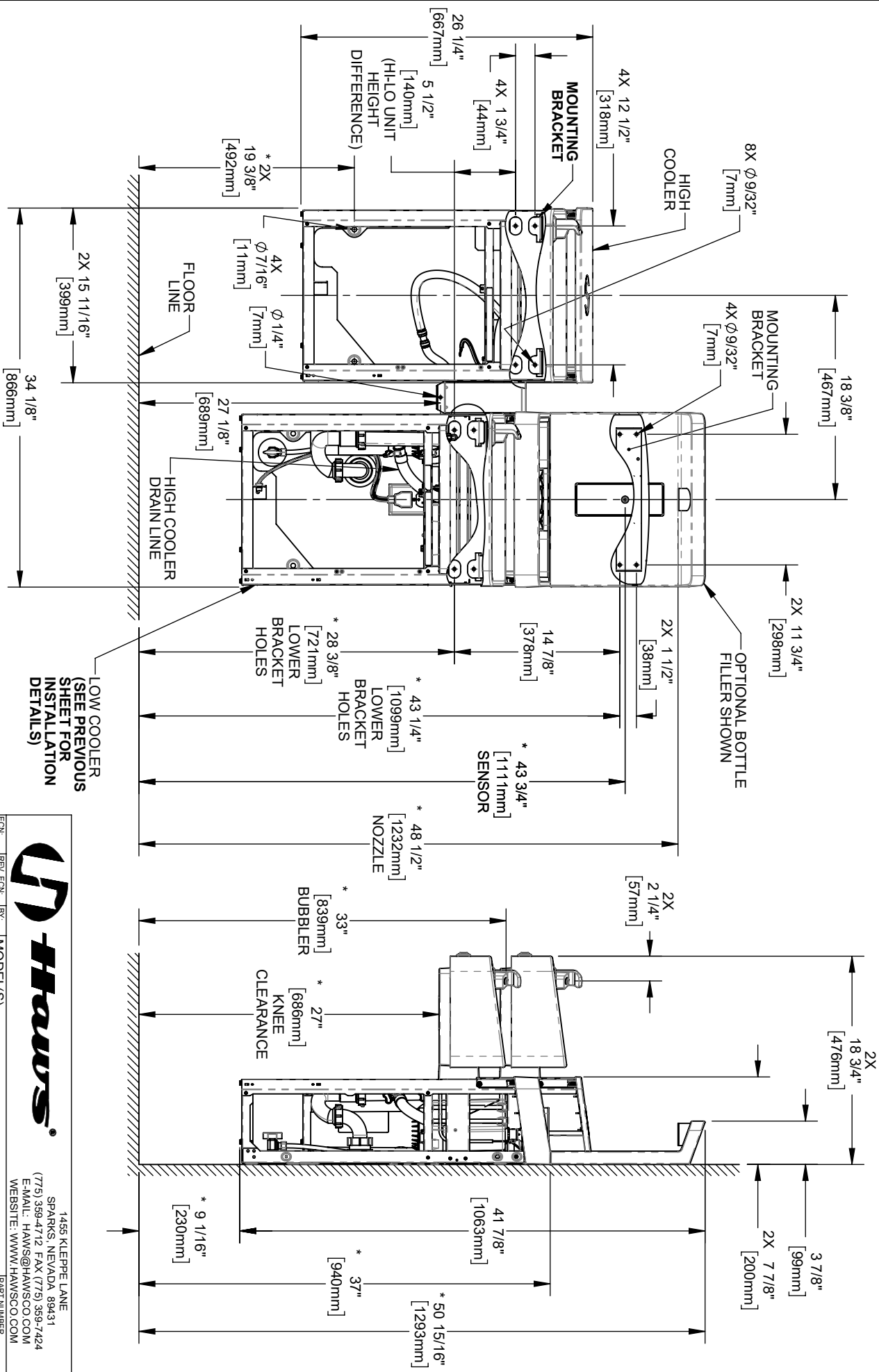
FULL SCALE
ROUGH-IN TEMPLATE
MODEL MFG 1200
AVAILABLE UPON REQUEST.



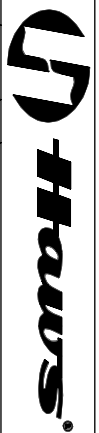
1455 KLEPPE LANE
SPARKS, NEVADA 89431
(775) 359-4712 FAX (775) 359-7424
E-MAIL: HAWS@HAWS.CO.COM
WEBSITE: WWW.HAWS.CO.COM

ENR: 5343	REV. EGN: 5888	BY: JLD	MODEL(S): 12XX ELECTRIC WATER COOLERS
DRAWN: 07/25/10	DATE: 07/25/10	CHKD: JLD	
APPROVED: DHP	DATE: 05/11/23	SCALE: 1:12	DRAWING TYPE: INSTALLATION
		SHEET: A	SHEET 1 OF 7
		REVISION: 8	

TYPICAL HI-LO UNIT INSTALLATION (REFRIGERATION COMPONENTS HIDDEN FOR CLARITY)



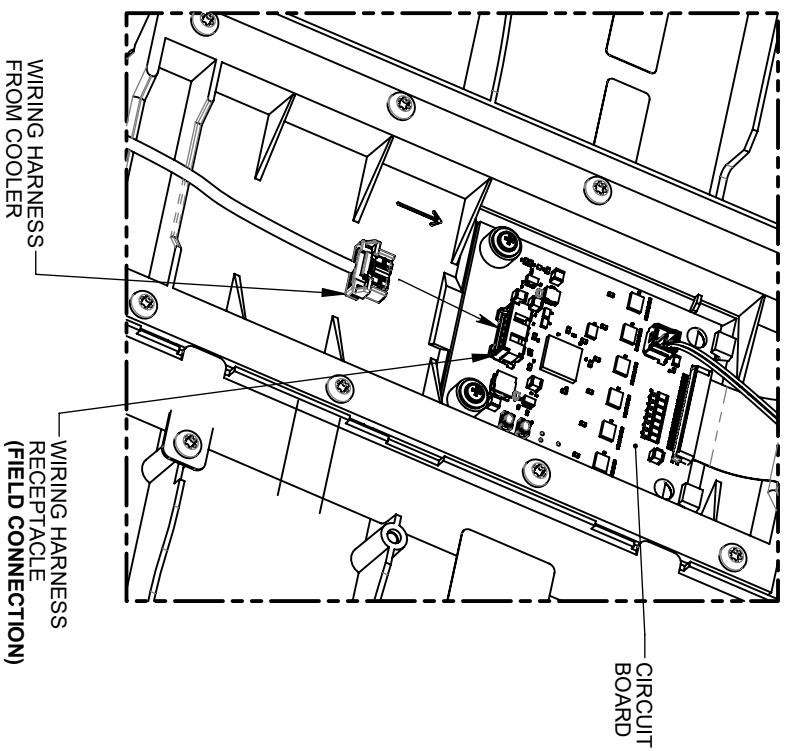
LOW COOLER
(SEE PREVIOUS
SHEET FOR
INSTALLATION
DETAILS)



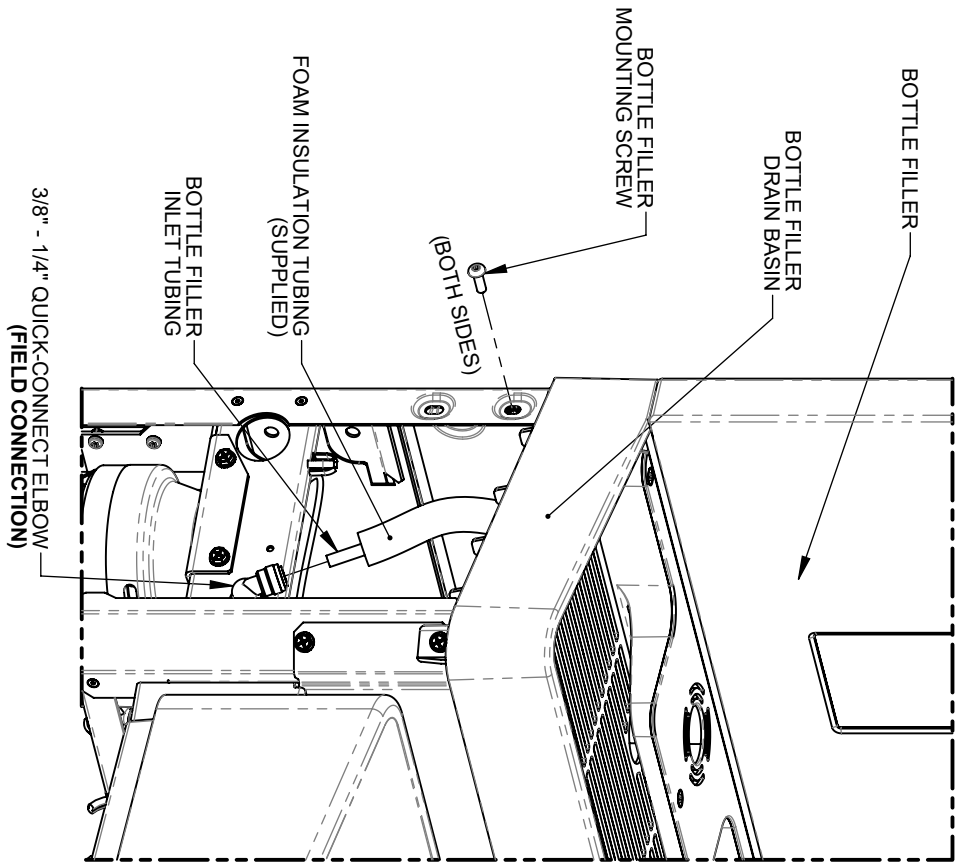
1455 KLEPPE LANE
SPARKS, NEVADA 89431
(775) 359-4712 FAX (775) 389-7424
E-MAIL: HAWS@HAWS.CO.COM
WEBSITE: WWW.HAWS.CO.COM

ENCL. 5343	REV. E/CN. 5988	BY: JLU	MODEL(S)	12XX ELECTRIC WATER COOLERS
DRAWN: 07/25/10	DATE: 07/25/10	CHK'D:		
APPROVED: DHP	DATE: 05/11/23			
SCALE: 1:12			DRAWING TYPE: INSTALLATION	SIZE: A
PART NUMBER				0510000866.D
REVISION				8

BOTTLE FILLER INSTALLATION DETAILS



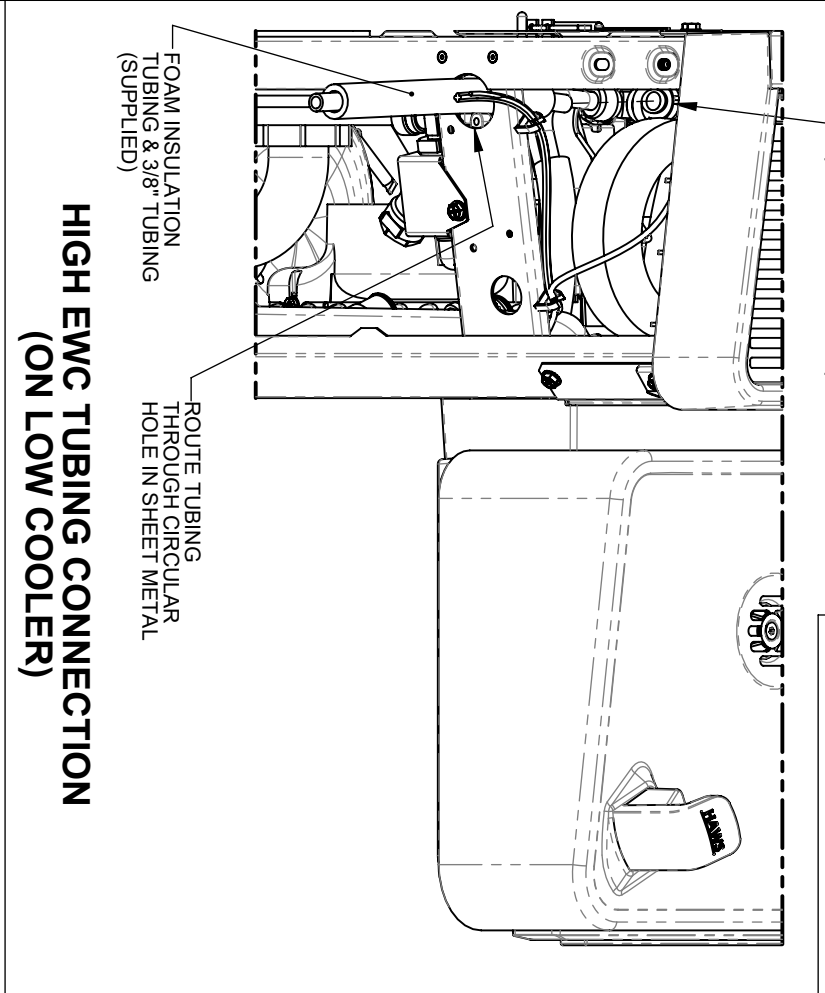
WIRING HARNESS CONNECTION (REAR OF BOTTLE FILLER)



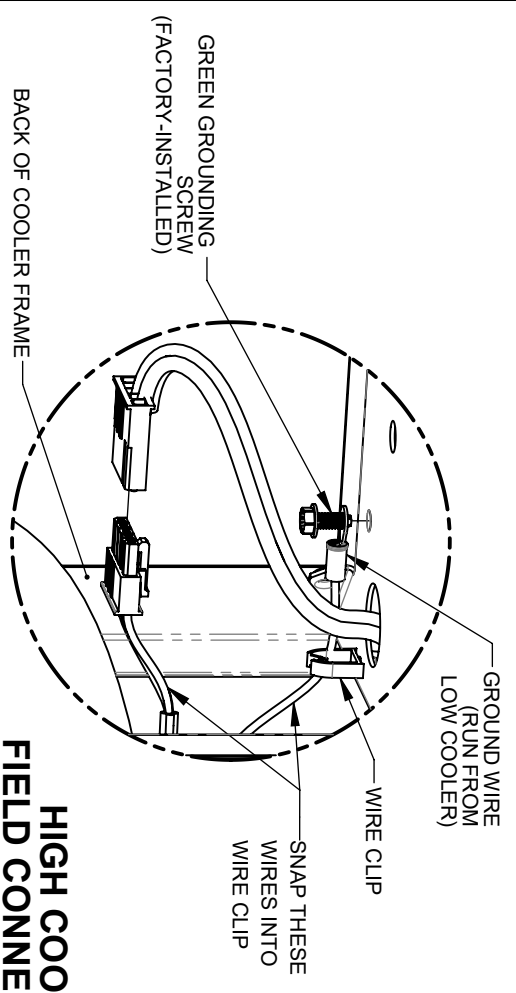
BOTTLE FILLER MOUNTING & TUBING CONNECTION

		Haws	
1455 KLEPPE LANE SPARKS, NEVADA 89431 (775) 359-4712 FAX (775) 359-7424 E-MAIL: HAWS@HAWSCCO.COM WEBSITE: WWW.HAWSCCO.COM		MODEL(S) 12XX ELECTRIC WATER COOLERS	
ENCL. 5343	REV. ENCL. BY: JLO	SCALE: 1:12	DRAWING TYPE: INSTALLATION
DRAWN: 07/25/10	DATE: 07/25/10	SIZE: A	SHEET: 3 OF 7
APPROVED: DHP	DATE: 05/11/23		
PART NUMBER 0510000866 D		REVISION 8	

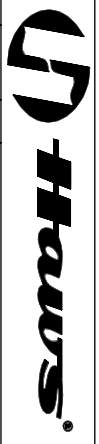
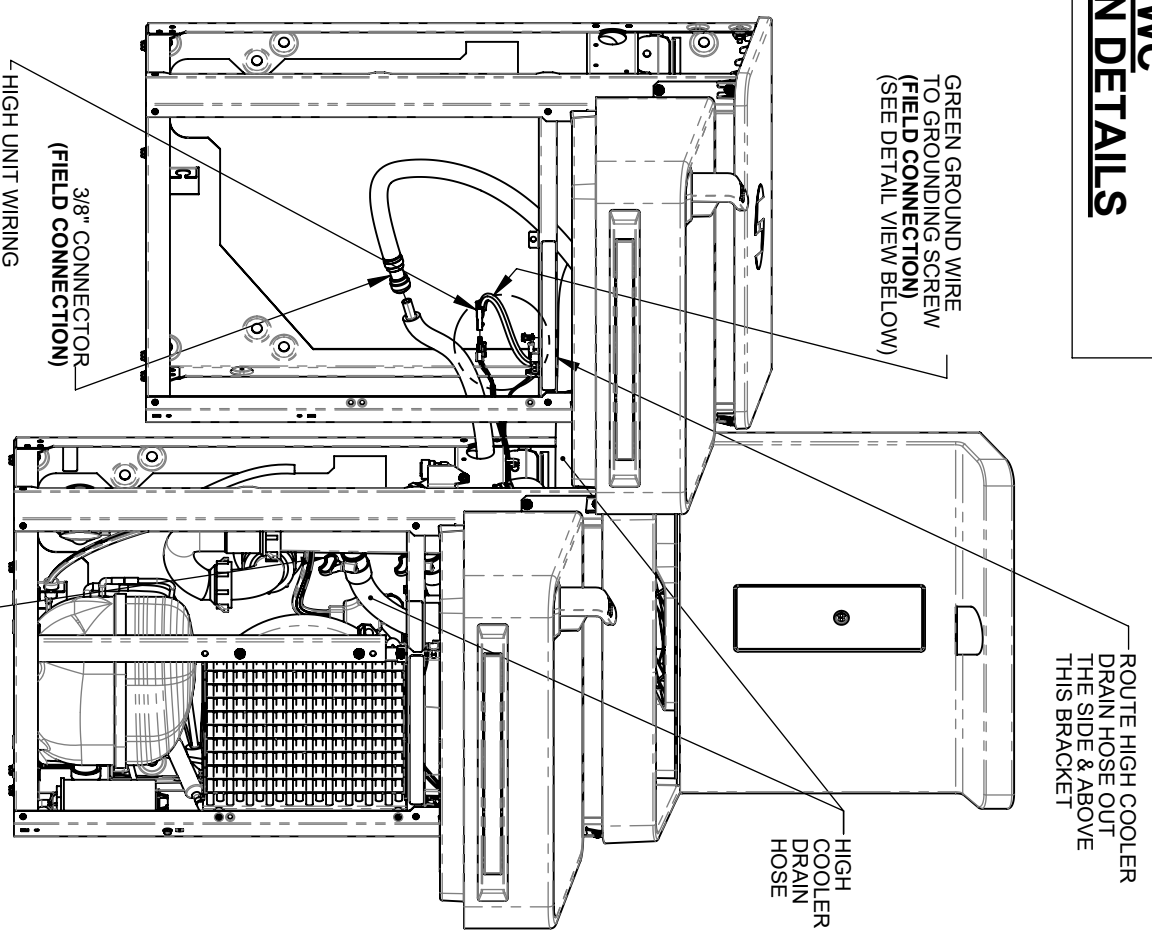
HIGH EWC INSTALLATION DETAILS



HIGH EWC TUBING CONNECTION (ON LOW COOLER)



HIGH COOLER FIELD CONNECTIONS

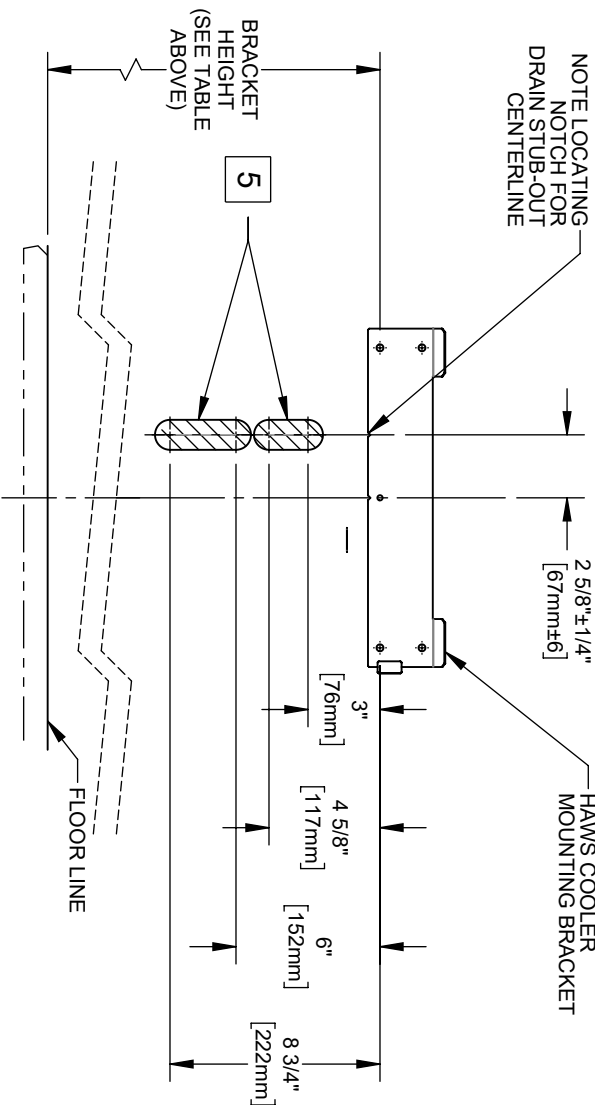


1455 KLEPPE LANE
SPARKS, NEVADA 89431
(775) 359-4712 FAX (775) 359-7424
E-MAIL: HAWS@HAWSCCO.COM
WEBSITE: WWW.HAWSCCO.COM

ENCL	REV/ ECH	BY	MODEL(S)
5343	5988	JU	12XX ELECTRIC WATER COOLERS
DRAWN	DATE	CHK'D	
DHP	07/25/11	JU	
APPROVED	DATE	SCALE	1/24
DHP	05/11/23	DRAWING TYPE	INSTALLATION
		SIZE	A
		SHEET	4 OF 7
		REVISION	8
		PART NUMBER	0510000866.D

RETROFIT INSTALLATION DETAILS

LOW COOLER BRACKET HEIGHT		
ADULT STANDING	ADULT ADA	CHILD ADA
33 7/8"	28 3/8"	25 3/8"

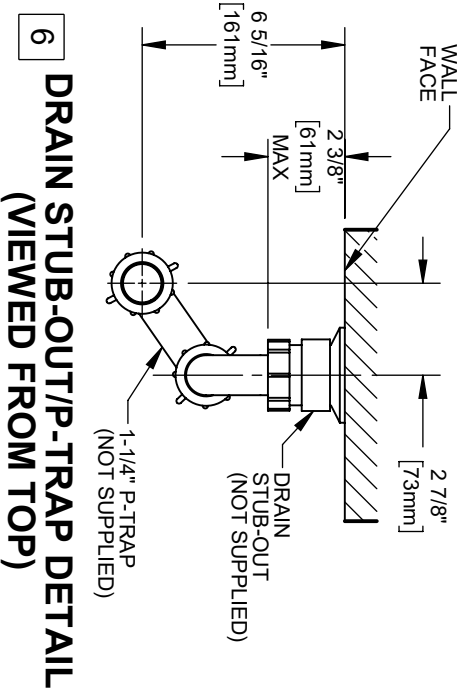


PERMISSIBLE LOCATIONS FOR DRAIN STUB-OUT

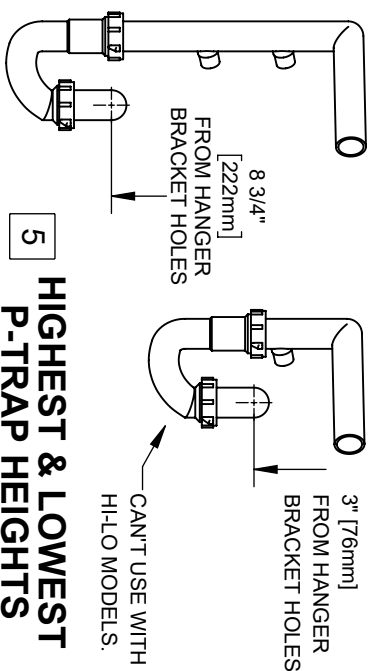
NOTES:

- THE 12XX COOLER SERIES IS ABLE TO RETROFIT IN PLACE OF A NUMBER OF COMPETITOR MODELS. SEE RETROFIT TABLE ABOVE FOR PARTIAL LIST OF COOLERS ABLE TO BE REPLACED BY THIS ONE. **THE FOLLOWING DISCLAIMERS APPLY:**
 - THE 12XX COOLER CENTERLINE MAY NOT MATCH THE OLD COOLERS CENTERLINE. SINCE THE 12XX COOLER DRAIN MUST BE 2.5/8" OFF OF CENTER. THIS MAY AFFECT ADA COMPLIANCE.
 - FOR HI-LO COOLER RETROFITS, EXISTING RIGHT-SIDE COOLER MUST BE THE LOW COOLER. DRAIN, WATER, AND ELECTRIC SERVICES MUST BE POSITIONED BEHIND RIGHT-SIDE UNIT.
 - THERE MUST BE WALL BLOCKING OR OTHER STRUCTURAL MATERIAL BEHIND HAWS MOUNTING HOLES. VERIFY THAT DRAIN, ELECTRIC, & WATER SERVICES ARE LOCATED WITHIN BOUNDARIES SPECIFIED ON THIS SHEET AND THE NEXT. SOME RETROFITS MAY REQUIRE THE ELECTRIC OUTLET TO BE MOVED.
- THE P-TRAP IS NOT SUPPLIED. THE VERTICAL DIMENSIONS GIVEN ARE BASED UPON INSTALLATION USING OF A KEENEY 200W P-TRAP, AND SHOULD THEREFORE BE REGARDED AS REFERENCE-ONLY.
- THE CENTERLINE OF THE DRAIN STUB-OUT MUST BE BETWEEN 3" [76mm] & 4-5/8" [118mm] OR BETWEEN 6" [152mm] & 8-3/4" [222mm] BELOW THE LOWERMOST EWC MOUNTING BRACKET HOLES IN ORDER FOR THE P-TRAP TO AFFIX PROPERLY TO THE DRAIN TAILPIECE.
 - DEPENDING ON STUB-OUT HEIGHT, SOME TRIMMING OF THE TAILPIECE WILL BE REQUIRED.
 - MOUNTING THE STUB-OUT IN THE HIGHER RANGE WILL REQUIRE TRIMMING THE TAILPIECE ABOVE THE LOWER DRAIN HOSE BRANCH. **IN THIS INSTANCE, THEREFORE, A HI-LO COOLER CANNOT BE INSTALLED.**
- WHATEVER P-TRAP AND STUB-OUT PLUMBING ARE USED, CARE SHOULD BE TAKEN TO ENSURE THAT THE P-TRAP CAN SEAL TO THE STUB-OUT PROPERLY AND STILL ALIGN TO THE DRAIN TAILPIECE (LOCATED AT THE GIVEN DIMENSIONS).

3	RETROFIT TABLE
MANUFACTURER	MODEL
HAWS	ALL MODELS STARTING WITH HWUACP
ELKAY/HALSEY TAYLOR	- ALL MODELS STARTING WITH EB, EI, EMA, EN, EZ, HAC HVR, LI, LMA, LZ, TB, & TI
OASIS	- SINGLE COOLER MODELS STARTING WITH VRC & LVR
SUNROC	ALL VERSACOOLER II MODELS
MURDOCK	ALL MODELS STARTING WITH ADA A171, A171.8, & A172.8UBL MODELS
	NOTE: THE WATER STOP VALVE MUST BE RELOCATED TO RETROFIT A FILTERED 12XX COOLER



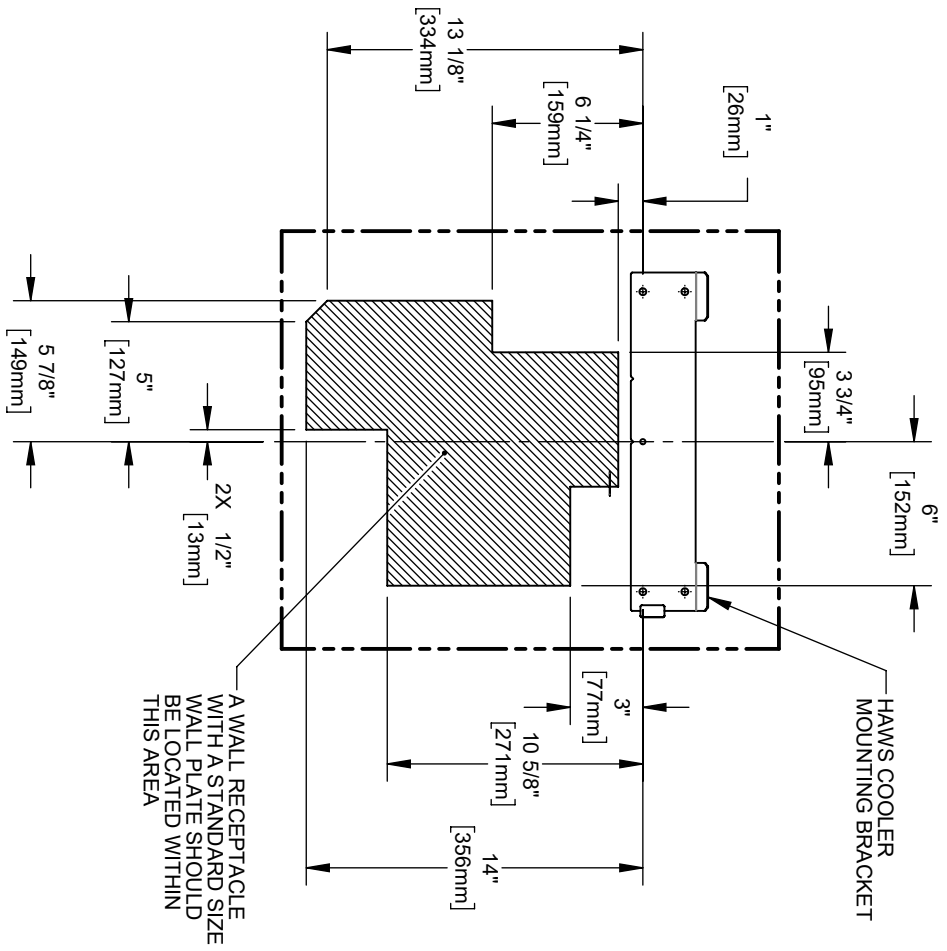
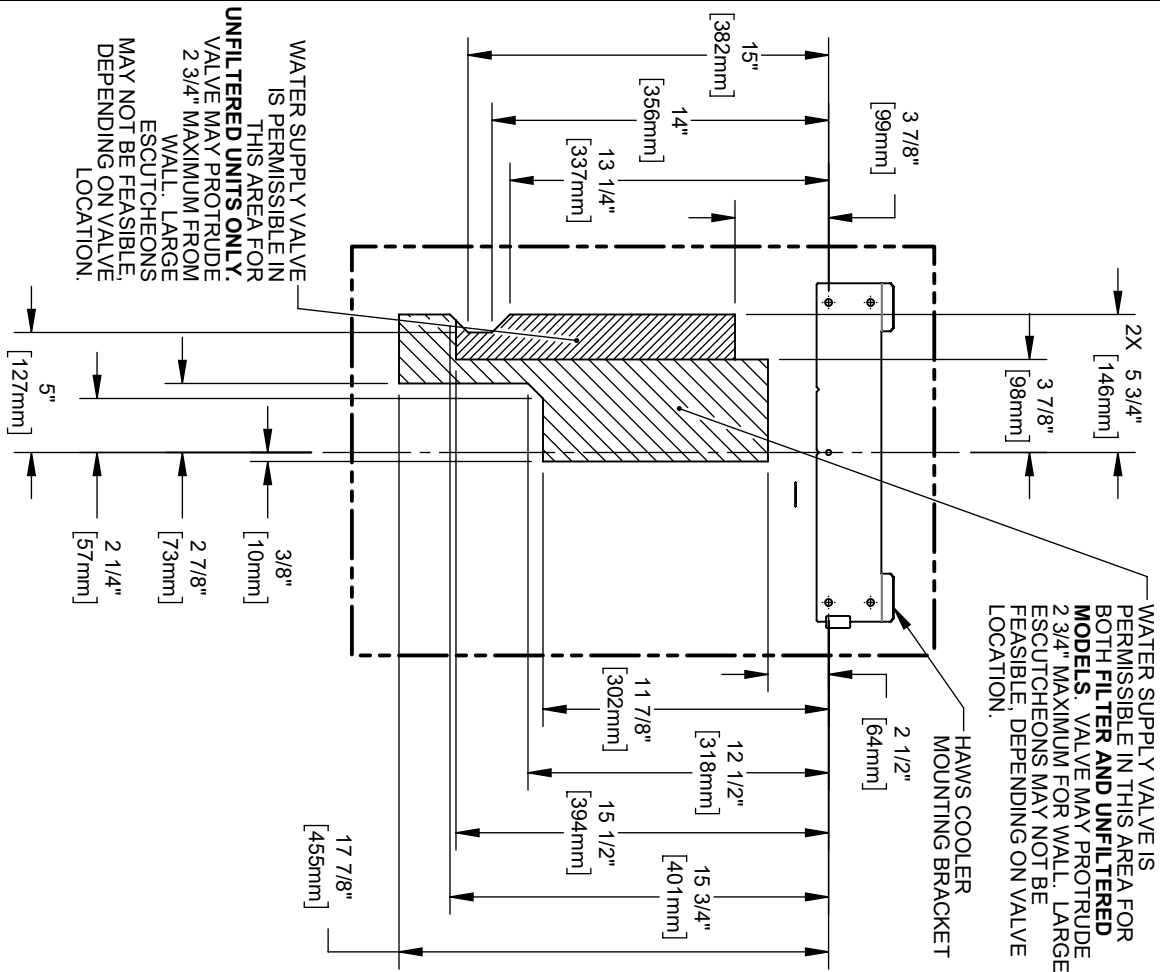
DRAIN STUB-OUT/P-TRAP DETAIL (VIEWED FROM TOP)



1455 KLEPPE LANE
SPARKS, NEVADA 89431
(775) 359-4712 FAX (775) 369-7424
E-MAIL: HAWS@HAWSCCO.COM
WEBSITE: WWW.HAWSCCO.COM

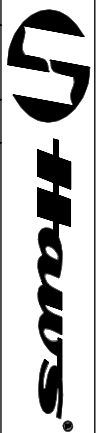
ENCL	REV/ ECH	BY	MODEL(S)
3343	5888	JUL	12XX ELECTRIC WATER COOLERS
DRAWN	DATE	CHK'D	
07/25	30		
APPROVED	DATE	SCALE	1:8
DHP	05/11/23	DRAWING TYPE	INSTALLATION
		SIZE	A
		SHEET	5 OF 7
		REVISION	8
		PART NUMBER	0510000866.D

RETROFIT INSTALLATION DETAILS



PERMISSIBLE WATER SUPPLY LOCATIONS

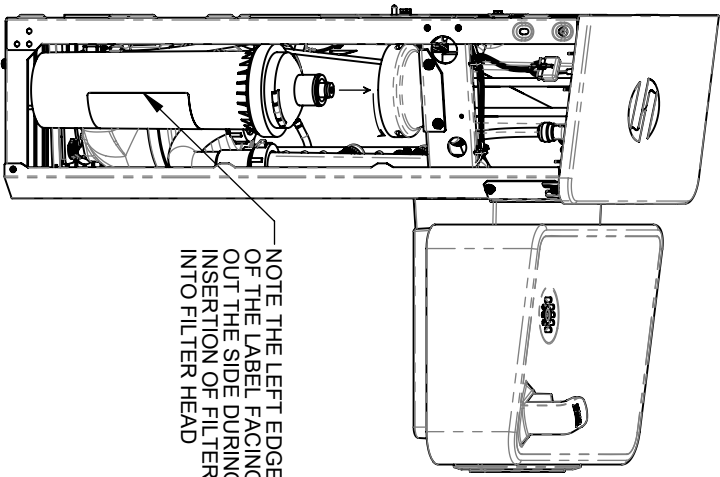
PERMISSIBLE ELECTRICAL RECEPTACLE LOCATIONS



ENCL. 5343	REV. E/CN. 5988	BY. JLU	MODEL(S) 12XX ELECTRIC WATER COOLERS
DRAWN. 5343	DATE. 07/25/13	CHK'D. JLU	
APPROVED. DHP	DATE. 05/11/23	SCALE. 1:8	DRAWING TYPE. INSTALLATION
		SIZE. A	SHEET 6 OF 7
			REVISION. 8

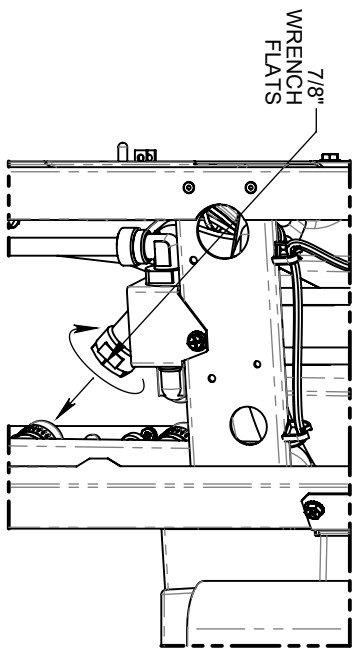
1455 KLEPPE LANE
SPARKS, NEVADA 89431
(775) 359-4712 FAX (775) 359-7424
E-MAIL: HAWS@HAWS.CO.COM
WEBSITE: WWW.HAWS.CO.COM

MAINTENANCE



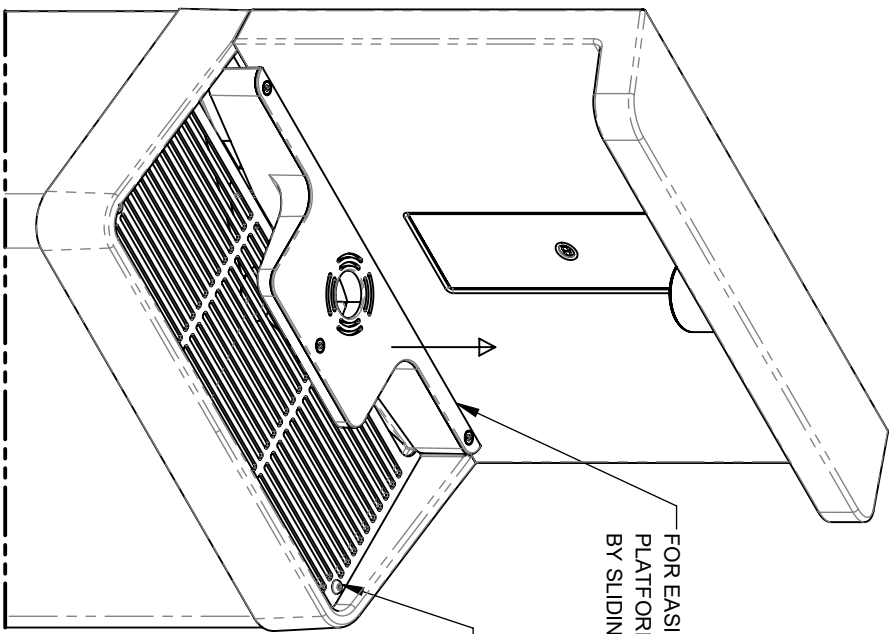
NOTE THE LEFT EDGE OF THE LABEL FACING OUT THE SIDE DURING INSERTION OF FILTER INTO FILTER HEAD

FILTER REPLACEMENT



7/8" WRENCH FLATS

Y-STRAINER CLEANING



FOR EASIER CLEANING, PLATFORM CAN BE RAISED 3/4" BY SLIDING UP.

2X SCREWS CAN BE REMOVED TO ALLOW REMOVAL OF GRATE.

CLEANING DRAIN BASIN AREA



1455 KLEPPE LANE
SPARKS, NEVADA 89431
(775) 359-4712 FAX (775) 359-7424
E-MAIL: HAWS@HAWSCCO.COM
WEBSITE: WWW.HAWSCCO.COM

ENCL. 5343	REV. E/CN. 5988	BY: JLU	MODEL(S) 12XX ELECTRIC WATER COOLERS	1455 KLEPPE LANE SPARKS, NEVADA 89431 (775) 359-4712 FAX (775) 359-7424 E-MAIL: HAWS@HAWSCCO.COM WEBSITE: WWW.HAWSCCO.COM
DRAWN: 07/25/12	DATE: 07/25/12	CHK'D: JLU		
APPROVED: DHP	DATE: 05/11/23	SCALE: 1:8	DRAWING TYPE: INSTALLATION	SIZE: A
				SHEET 7 OF 7
				REVISION: 8
				PART NUMBER: 0510000866.D