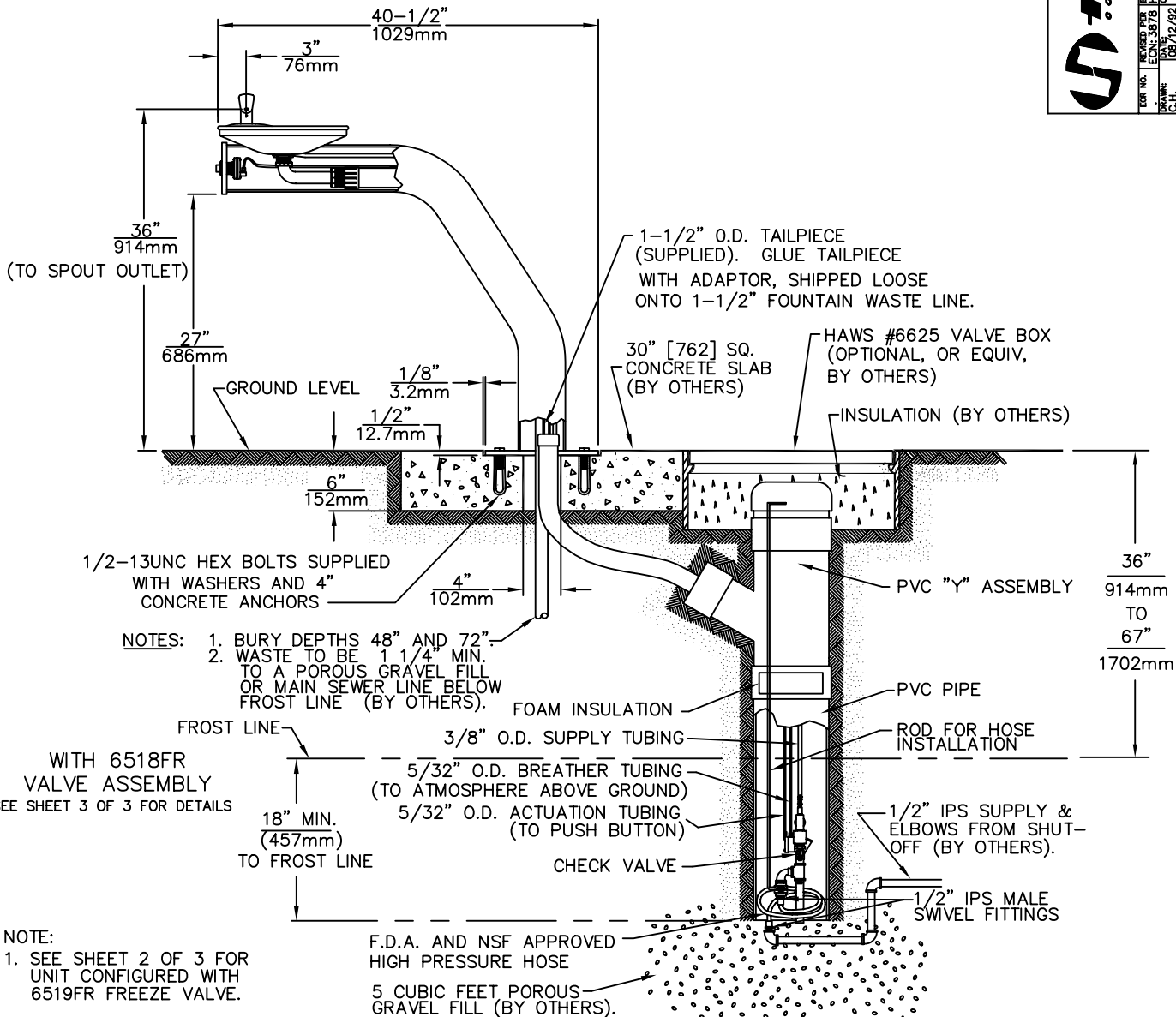
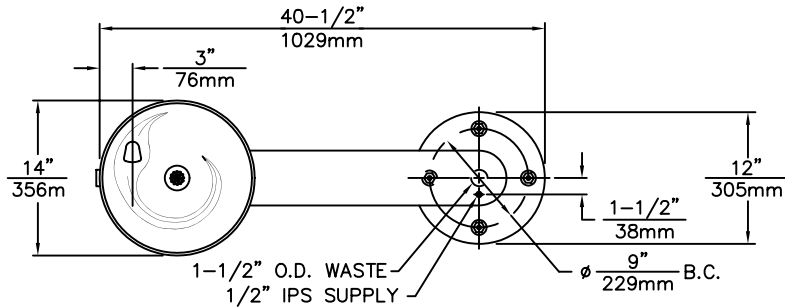


### 3380FR/3380GFR WITH 6518FR

(SEE SHEET 2 OF 3 FOR 6519FR INSTALLATION)



**Haws Corporation**

INFO FAX : 1-888-FAX-HAWS (1-888-329-4297)  
1455 Kleppe Ln, Sparks, NV, 89431  
Phone: 775-359-4712 FAX: 775-359-7424  
Haws Ag, Bachweg 3, CH-3401 Burgdorf, Switzerland  
Haws Mfg Pte Ltd, 74, Sungai Kadut Loop, Singapore 729531  
e-mail: Haws@hawsco.com website: www.hawsco.com

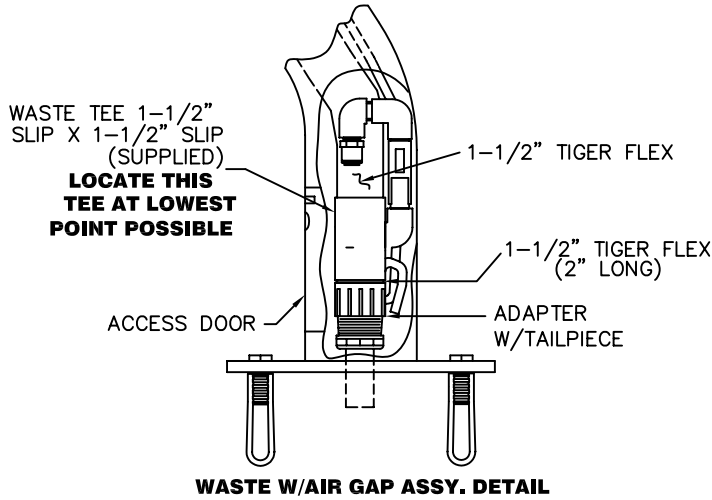
MODEL(S): 3380FR / 3380GFR / 3380.6519FR  
DRAWING NUMBER: 10289A00  
SCALE: 1:17 DRAWING TYPE: INSTALLATION/PANBACK

REV. 1 OF 3

THIS DOCUMENT IS TRUE AND CORRECT AT TIME OF PUBLICATION. CONTINUED PRODUCT IMPROVEMENTS MAKE SPECIFICATIONS AND MEASUREMENTS SUBJECT TO CHANGE WITHOUT NOTICE.

©2006 Haws Corporation - All Rights Reserved HAWS® and other trademarks used in these materials are the exclusive property of Haws Corporation.

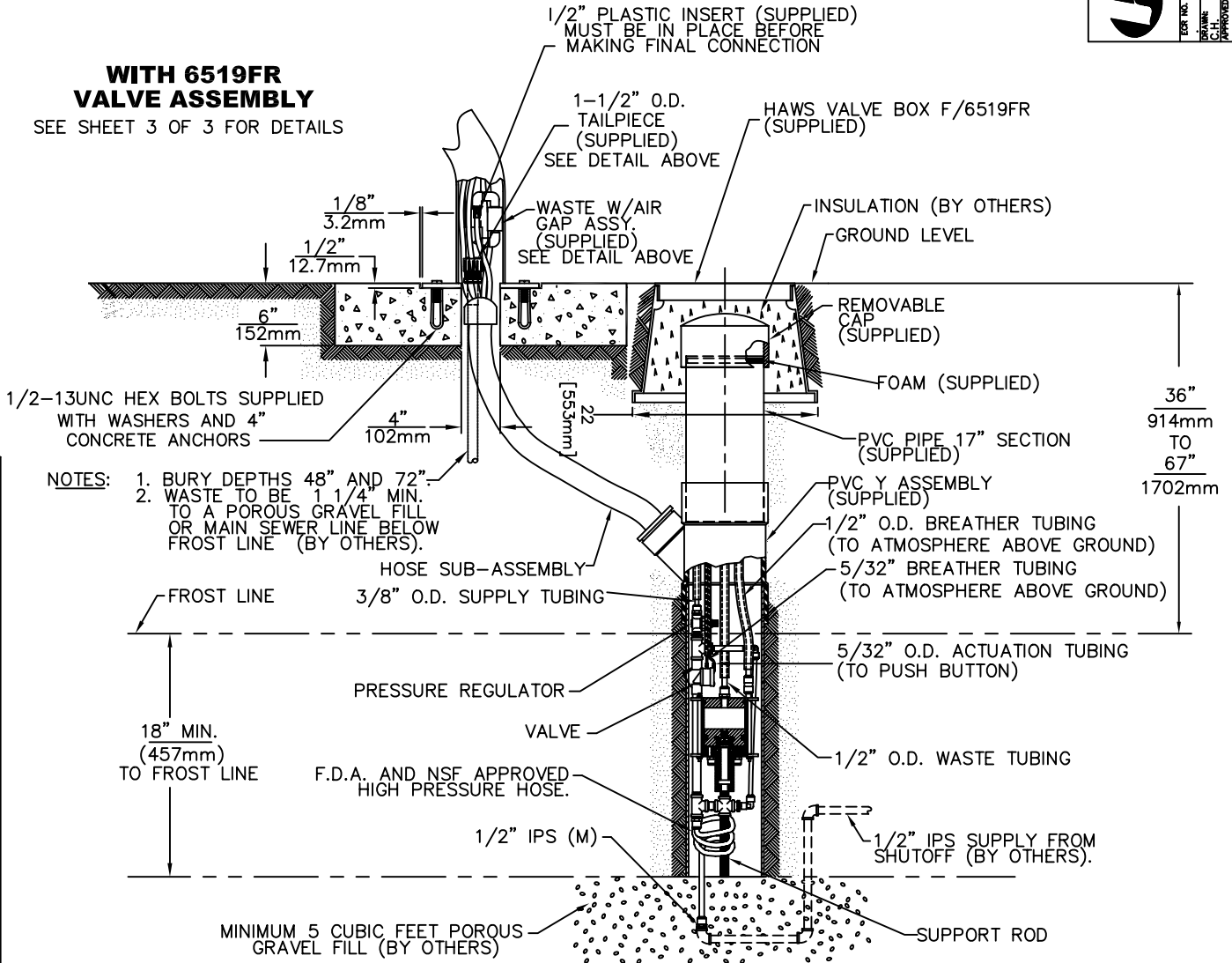
**3380FR/3380GFR WITH 6519FR**  
 (SEE SHEET 1 OF 3 FOR FOUNTAIN & 6518FR INSTALLATION)



**WASTE W/AIR GAP ASSY. DETAIL**

**WITH 6519FR VALVE ASSEMBLY**

SEE SHEET 3 OF 3 FOR DETAILS



- NOTES:**
1. BURY DEPTHS 48" AND 72"
  2. WASTE TO BE 1 1/4" MIN. TO A POROUS GRAVEL FILL OR MAIN SEWER LINE BELOW FROST LINE (BY OTHERS).

**Haws Corporation**

INFO FAX : 1-888-FAX-HAWS (1-888-329-4297)  
 1455 Kleppe Ln, Sparks NV, 89431  
 Phone: 775-359-4712 Fax: 775-359-7424  
 Haws Ag Bachweg 3 CH-3401 Burgdorf Switzerland  
 Haws Mfg Pte Ltd 74 Sungei Kadut Loop Singapore 729531  
 e-mail: Haws@hawsco.com website: www.hawsco.com

MODEL(S): 3380FR/3380GFR/3380 6519FR  
 INFO FAX DOC # 2338037/23380437/23380651  
 DRAWN: 10/28/00  
 DATE: 06/12/02  
 APPROVED: [Signature]

PKT NUMBER: 00207370.D  
 SHEET: 2 OF 3

THIS DOCUMENT IS TRUE AND CORRECT AT TIME OF PUBLICATION. CONTINUED PRODUCT IMPROVEMENTS MAKE SPECIFICATIONS AND MEASUREMENTS SUBJECT TO CHANGE WITHOUT NOTICE.

©2006 Haws Corporation - All Rights Reserved HAWS® and other trademarks used in these materials are the exclusive property of Haws Corporation.

