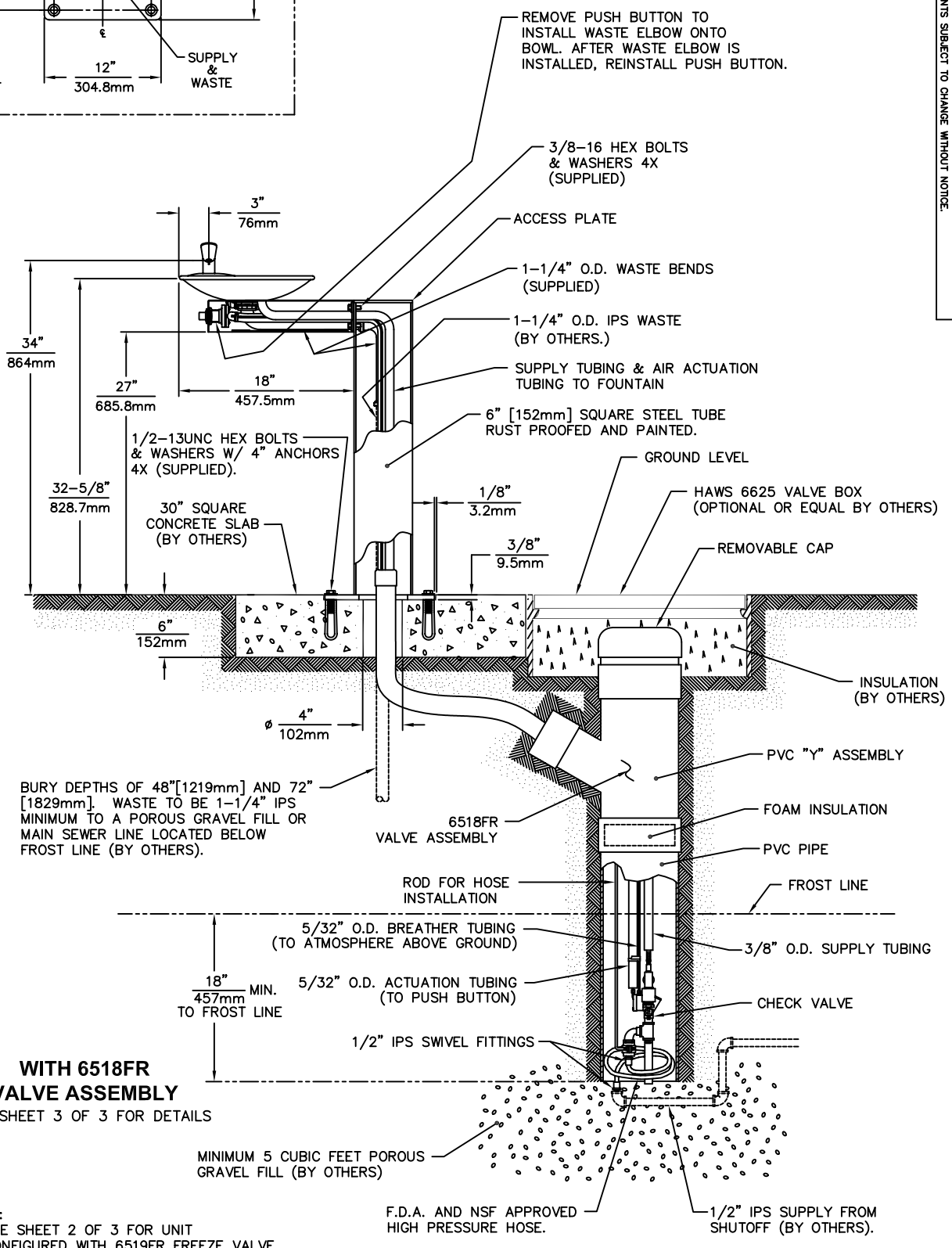
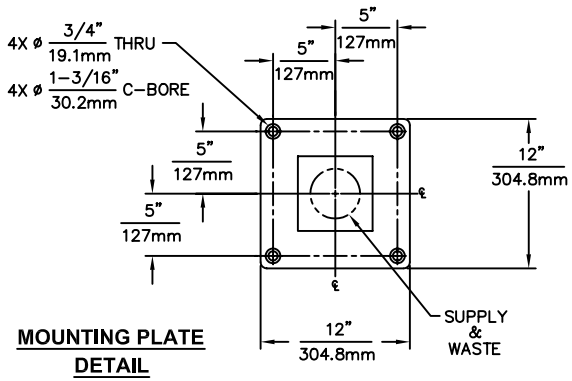


THIS DOCUMENT IS TRUE AND CORRECT AT TIME OF PUBLICATION. CONTINUED PRODUCT IMPROVEMENTS MAKE SPECIFICATIONS AND MEASUREMENTS SUBJECT TO CHANGE WITHOUT NOTICE.

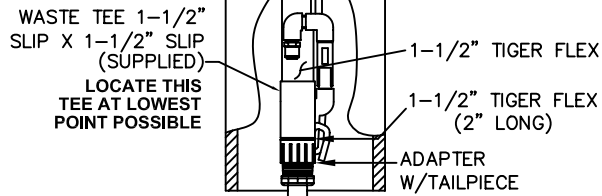


BURY DEPTHS OF 48" [1219mm] AND 72" [1829mm]. WASTE TO BE 1-1/4" IPS MINIMUM TO A POROUS GRAVEL FILL OR MAIN SEWER LINE LOCATED BELOW FROST LINE (BY OTHERS).

**WITH 6518FR VALVE ASSEMBLY**  
SEE SHEET 3 OF 3 FOR DETAILS

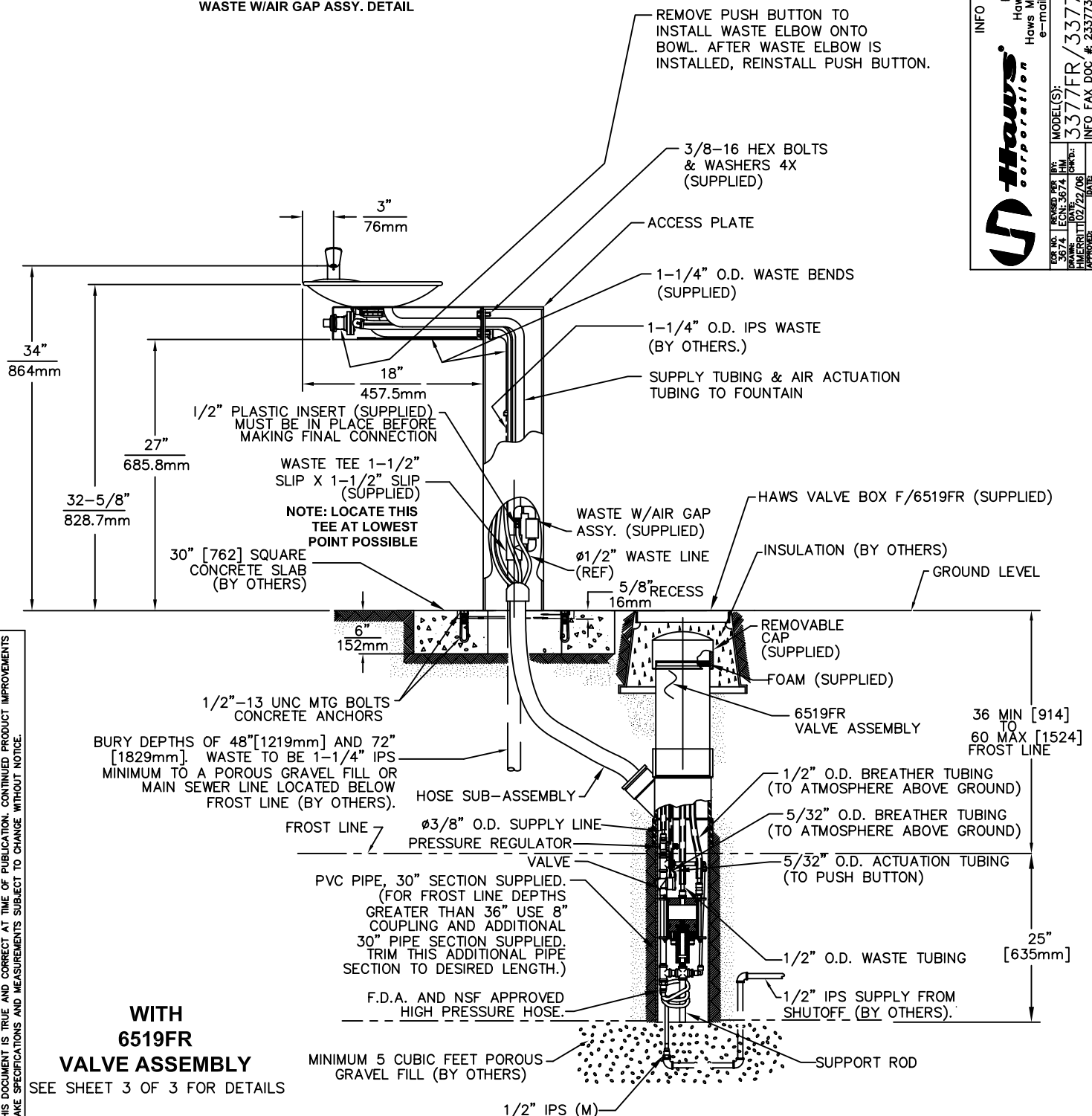
NOTE:  
1. SEE SHEET 2 OF 3 FOR UNIT CONFIGURED WITH 6519FR FREEZE VALVE.

	<b>INFO FAX :</b> 1-888-FAX-HAWS (1-888-329-4297) 1455 Kieppe Ln, Sparks, NV, 89431 Phone: 775-359-4712 Fax: 775-359-7424 Haws Ag Bohlweg 3 CH-3401 Burgdorf Switzerland Haws Mfg Pte Ltd 74 Sungei Kadut Loop Singapore 729531 e-mail: Haws@hawsco.com Website: www.hawsco.com
DRAWING NO. 13083A00 SCALE: 1/8" = 1'-0" SHEET 1 OF 3	REV. NO. 0002077965.D DRAWING NUMBER 13083A00 DATE 06/97 APPROVED: [Signature] DATE 06/97 MODEL(S): 3377FR / 3377.6519FR INFO FAX DOC # 233737/23377851 DRAWING TYPE: INSTALLATION/BACKPACK



WASTE W/AIR GAP ASSY. DETAIL

REMOVE PUSH BUTTON TO INSTALL WASTE ELBOW ONTO BOWL. AFTER WASTE ELBOW IS INSTALLED, REINSTALL PUSH BUTTON.



**Haws Corporation**

INFO FAX : 1-888-FAX-HAWS (1-888-329-4297)  
1455 Kleppe Ln, Sparks NV, 89431  
Phone: 775-359-4712 Fax: 775-359-7424  
Haws Ag Bachweg 3 CH-3401 Burgdorf Switzerland  
Haws Mfg Pte Ltd 74 Sungei Kadut Loop Singapore 729531  
e-mail: Haws@hawsco.com website: www.hawsco.com

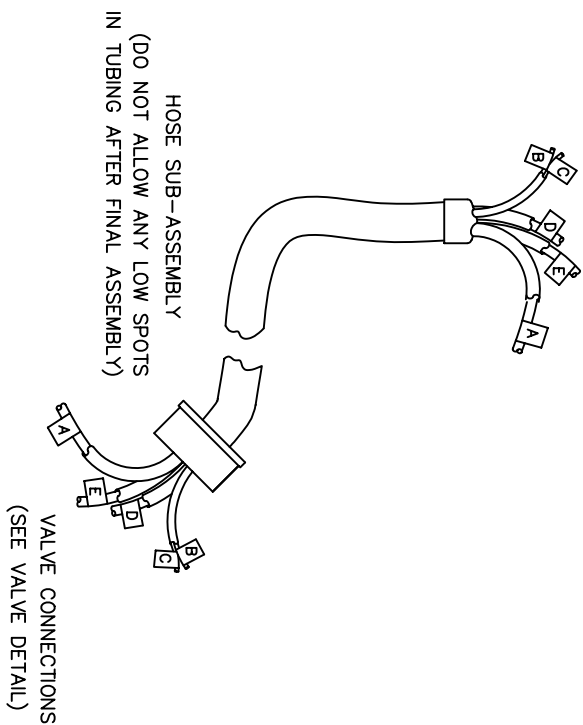
PART NUMBER: 000207365D  
DRAWING NUMBER: 13083A00  
REV: 4  
SCALE: 1:1  
DRAWING TYPE: INSTALLATION/FANBACK

MODEL(S): 3377FR/3377.6519FR  
INFO FAX DOC #: 2337737/23377651

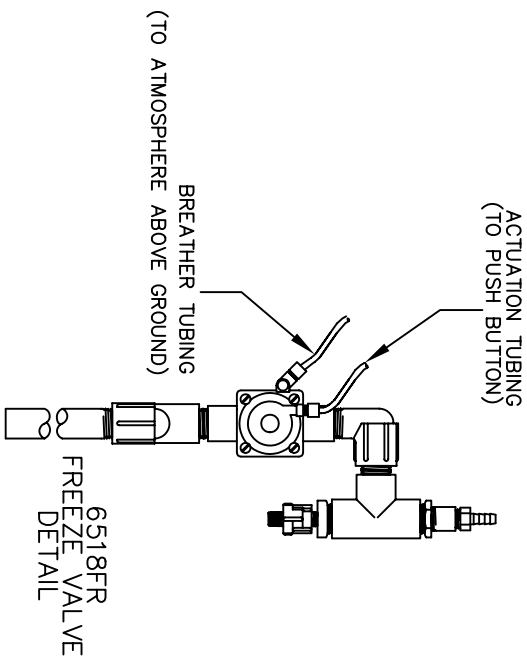
DATE: 02/22/06  
APPROVED: [Signature]

THIS DOCUMENT IS TRUE AND CORRECT AT TIME OF PUBLICATION. CONTINUED PRODUCT IMPROVEMENTS MAKE SPECIFICATIONS AND MEASUREMENTS SUBJECT TO CHANGE WITHOUT NOTICE.

**WITH 6519FR VALVE ASSEMBLY**  
SEE SHEET 3 OF 3 FOR DETAILS

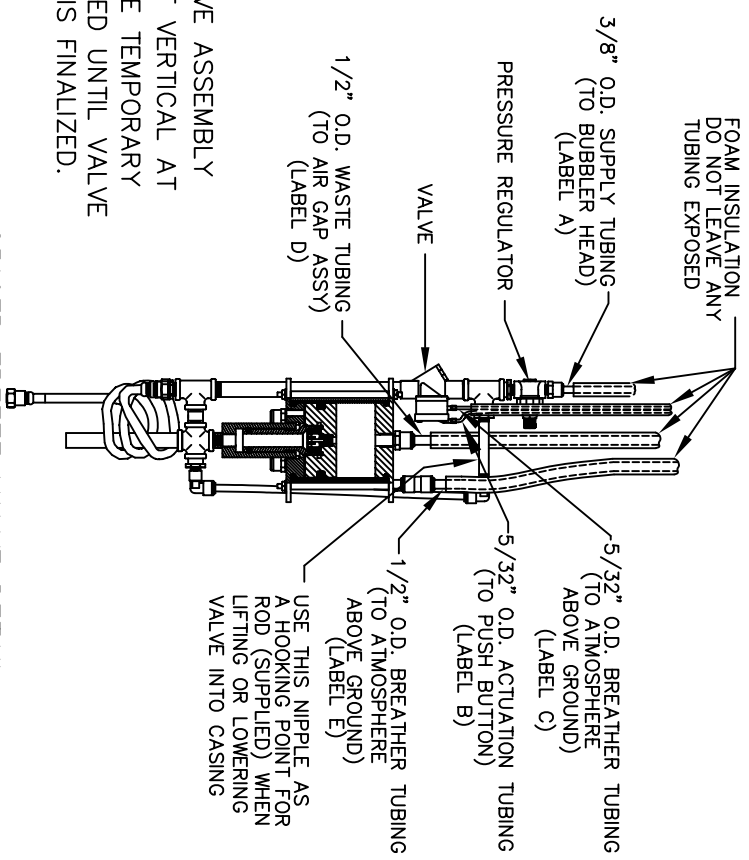


FOUNTAIN CONNECTIONS  
(FOLLOW INSTRUCTIONS ON LABELS)



CAUTION: VALVE ASSEMBLY MUST BE KEPT VERTICAL AT ALL TIMES. USE TEMPORARY STAND PROVIDED UNTIL VALVE INSTALLATION IS FINALIZED.

6519FR FREEZE VALVE DETAIL  
(3 WAY DIVIDER W/TUBING AT BASE NOT SHOWN FOR CLARITY)



**Haus**  
corporation

INFO FAX : 1-888-FAX-HAUS (1-888-329-4297)  
1455 Kleppe Ln, Sparks NY, 89431 7424  
Phone: 773-339-4712 Fax: 773-339-7424  
Hows Ag Bodweg 3 CH-3401 Burgdorf Switzerland  
Hows Mfg Pte Ltd 74 Sungai Kodut Loop Singapore 729531  
e-mail: Hows@howsco.com website: www.howsco.com

FOR SALE: 1-888-329-4297  
ENGINEER: J. A. HERRITT  
DRAWN: J. A. HERRITT  
CHECKED: J. A. HERRITT  
DATE: 02/22/05

MODEL(S): 3377FR / 3377.6519FR  
INFO FAX DOC # 233737/2337651  
SCALE: 1:1

PART NUMBER: 0002077365.D  
REV: 4  
13083A00

SEE: A 3 OF 3