

FEATURES & BENEFITS

CONSTRUCTION

Heavy-duty wire reinforced concrete construction with exposed aggregate finish provide a perfect addition to outside environments, along with vandal-resistant bottom and access plates for added peace of mind. Stainless steel basin with a high-polished finish compliments almost any setting, and it also resists stains and corrosion.

DRAIN CLEAN-OUT

Top-down access to the drain allows the fountain portion to be cleaned without taking the unit apart, good for outdoor settings with drain-clogging sediment such as leaves, garbage, and other debris.

BUBBLER HEAD

Polished chrome-plated brass bubbler head with integral basin shank for added strength. Shielded, angled stream opening provides a steady, sanitary source of drinking water at .45 gpm.

DRINKING FOUNTAIN VALVE

The push-button activated valve offers the only all stainless steel valve body that is machined out of solid bar stock, is fully serviceable through the front of the push button assembly offering access to the water control cartridge and integral water supply strainer, and with front access to the water stream height adjustment for easy maintenance without having to remove the valve. Operating pressure range of 30 to 90 psi (2.1 to 6.2 bar).

VANDAL-RESISTANT

The bubbler head, push button, drain strainer and access plates are locked in place, discouraging unwanted vandal tampering.



SPECIFICATIONS

Model 3177 ADA vandal-resistant concrete pedestal drinking fountain shall include a polished stainless steel basin, vandal-resistant push-button operated stainless steel valve with front-accessible cartridge and flow adjustment, 100% lead-free waterways, polished chrome-plated brass vandal-resistant bubbler head protected by a hood extension, polished chrome-plated vandal-resistant waste strainer with top-down clean-out access, Portland Grey exposed aggregate concrete finish with wire reinforcement, integral mounting plate, vandal-resistant stainless steel access plates, and 1-1/2" slip waste.

OPTIONS

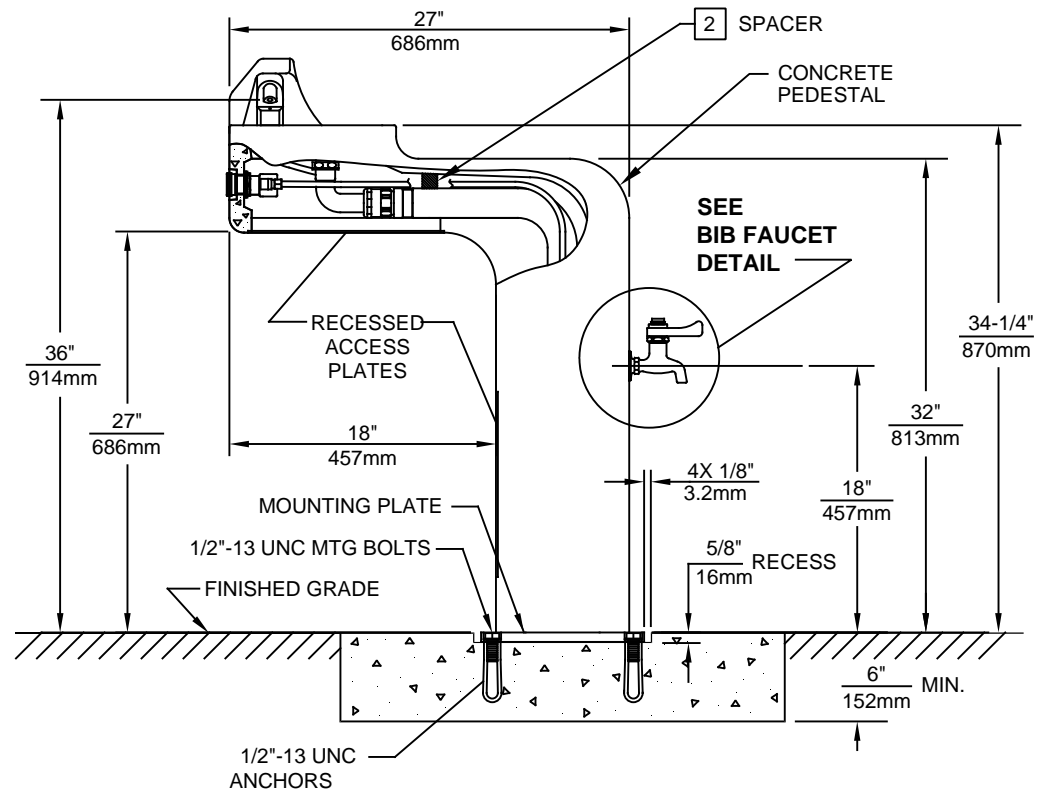
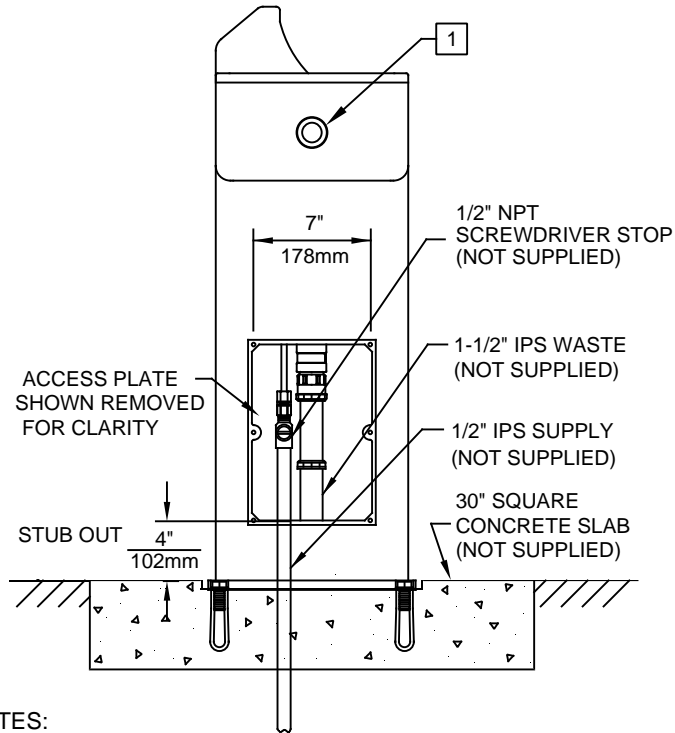
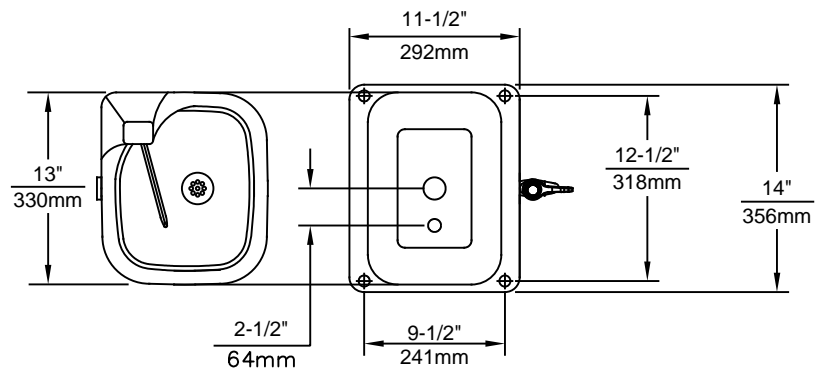
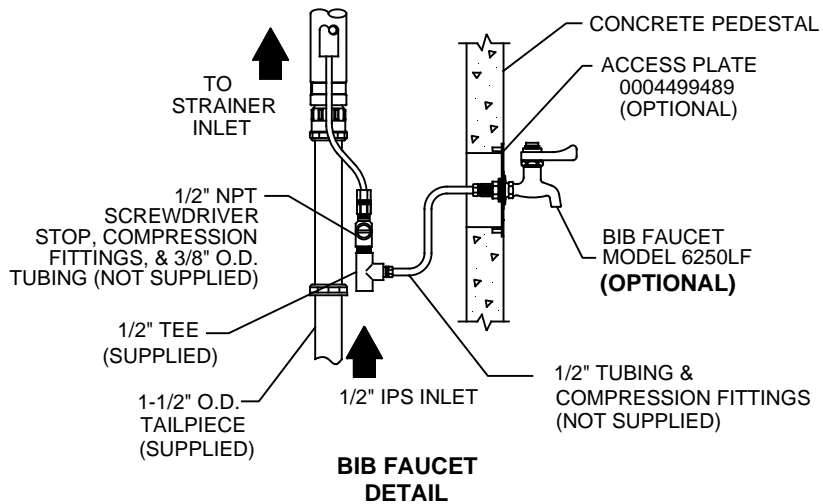
- Faucet Valve: Model 6250LF, self-closing, plain end, lead-free, brass bib faucet with polished chrome-plated finish. (When used with Haws concrete products, also order part 0004499489)
- Sand Trap: Model 6611, sand trap for installing adjacent to pedestal drinking fountains to help prevent debris and contaminants from clogging waste line.

For more information, visit www.hawsc.com or call (888) 640-4297.

APPLICATIONS


Perfect for either public or private settings, our concrete series is a great fit in "open-air" environments. Suitable in areas where weather conditions may be cause for concern, this series stands strong from the forest to the beach. Wire reinforced concrete cast design not only protects from corrosion, its Portland Gray color makes it recognizable enough to locate without compromising the outdoor atmosphere. This type of pedestal drinking fountain may also be placed in a variety of settings such as: parks, schools, and other recreational outdoor environments where the temperature remains above freezing. Model meets all current Federal Regulations for the disabled including those in the Americans with Disabilities Act. Haws manufactures drinking fountains, faucets and electric water coolers to be lead-free by all known definitions including NSF/ANSI/CAN 61-Section 9, NSF/ANSI/CAN 372, California Proposition 65, and the Federal Safe Drinking Water Act. Product is compliant to California Health and Safety Code 116875 (AB 1953-2006), and NSF/ANSI/CAN 61: Q ≤ 1.





NOTES:

- 1 REFER TO 5874 SERIES OPERATION AND MAINTENANCE MANUAL FOR PUSH BUTTON AND VALVE INSTALLATION/MAINTENANCE INSTRUCTIONS.
- 2 SPACER IS GLUED TO WALL OF PEDESTAL, BUT MAY BE KNOCKED OFF DURING WASTE ARM ASSEMBLY REMOVAL/REPAIR. ENSURE THAT SPACER IS REPLACED TO KEEP HOSE AND WASTE ARM ALIGNED PROPERLY.



Haws

1455 KLEPPE LANE
SPARKS, NEVADA 89431
(775) 359-4712 FAX (775) 359-7424
E-MAIL: HAWS@HAWSCO.COM
WEBSITE: WWW.HAWSCO.COM

ECN NO. 5187	REVISED PER BY: JP	MODEL(S)	
DRAWN: STH	DATE: 06/95	CHK'D: VWC	3177
APPROVED: FV	DATE: 07/06/17	SCALE: NA	DRAWING TYPE: INSTALLATION
			PART NUMBER 0002077324.D REVISION 15
			SIZE: A SHEET 1 OF 1