

FEATURES & BENEFITS

CONSTRUCTION

Heavy-duty wire reinforced concrete construction with exposed aggregate finish provide a perfect addition to outside environments, along with vandal-resistant bottom and access plates for added peace of mind. Stainless steel basin with a high-polished finish compliments almost any setting, and it also resists stains and corrosion.

DRAIN CLEAN-OUT

Top-down access to the drain allows the fountain portion to be cleaned without taking the unit apart, good for outdoor settings with drain-clogging sediment such as leaves, garbage, and other debris.

BARRIER FREE

Designed for Adult or Child ADA access, the spacious fountain design allows for the trap to be internally mounted which allows for easy access.

BUBBLER HEADS

Polished chrome-plated brass bubbler heads with integral basin shank for added strength. Shielded, angled stream opening provides a steady, sanitary source of drinking water at .45 gpm.

DRINKING FOUNTAIN VALVES

The push-button activated valves offer the only all stainless steel valve body that is machined out of solid bar stock, is fully serviceable through the front of the push button assembly offering access to the water control cartridge and integral water supply strainer, and with front access to the water stream height adjustment for easy maintenance without having to remove the valve. Operating pressure range of 30 to 90 psi (2.1 to 6.2 bar).

VANDAL-RESISTANT

The bubbler heads, push buttons, drain strainers and access plates are locked in place, discouraging unwanted vandal tampering.

OPTIONS

- Faucet Valve: Model 6250LF, self-closing, plain end, lead-free, brass bib faucet with polished chrome-plated finish. (When used with Haws concrete products, also order part 0004499489)
- Sand Trap: Model 6611, sand trap for installing adjacent to pedestal drinking fountains to help prevent debris and contaminants from clogging waste line.
- Concrete Step : Model 6620, matching square concrete step for square concrete pedestals, 10" (25.4 cm) high.

For more information, visit www.hawsc.com or call (888) 640-4297.



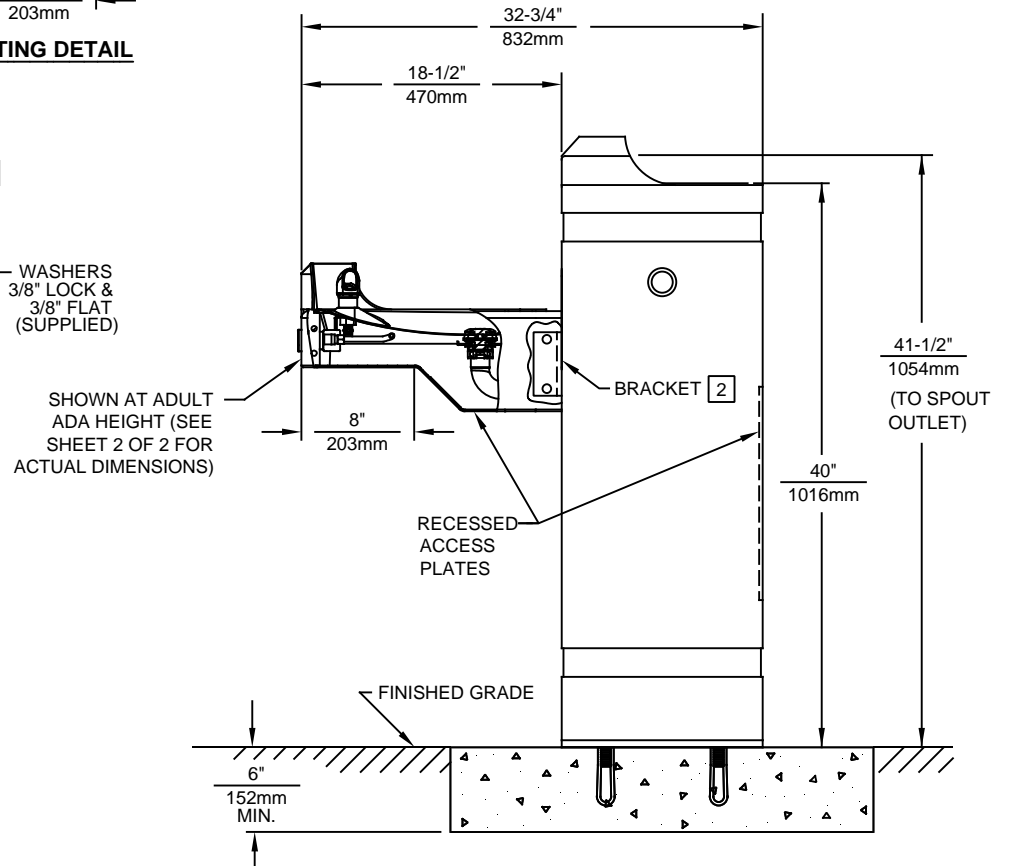
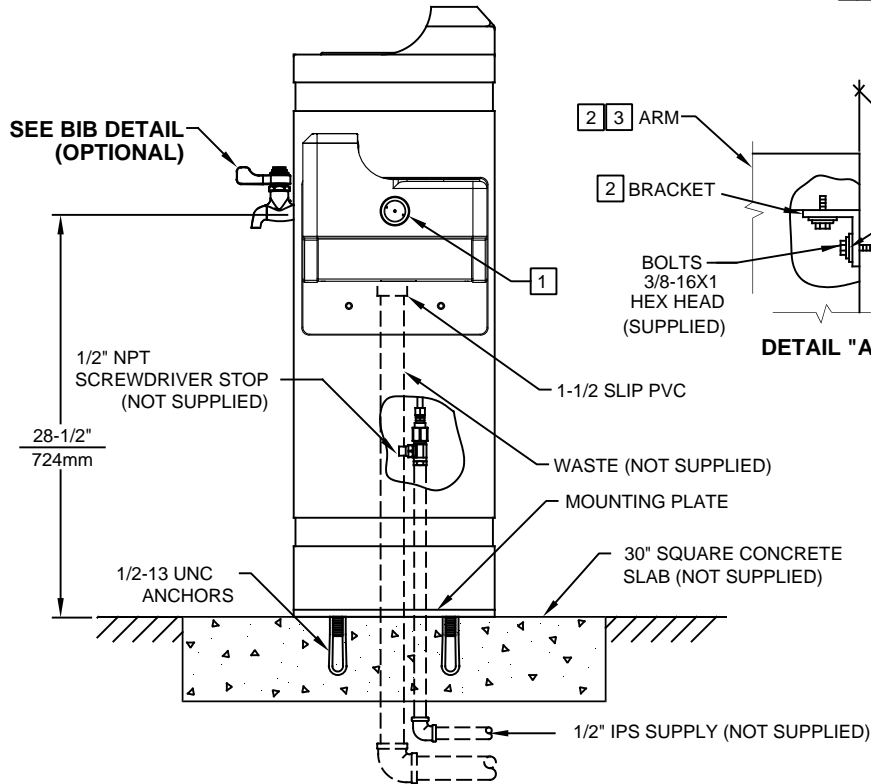
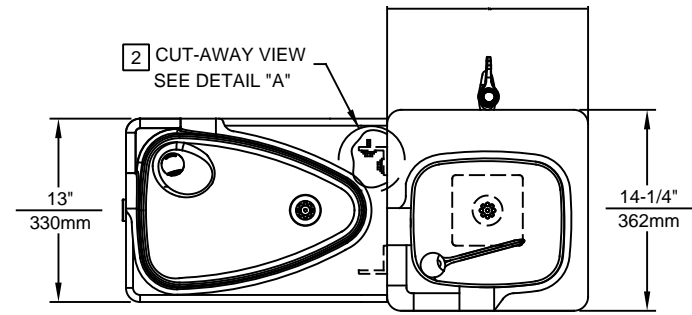
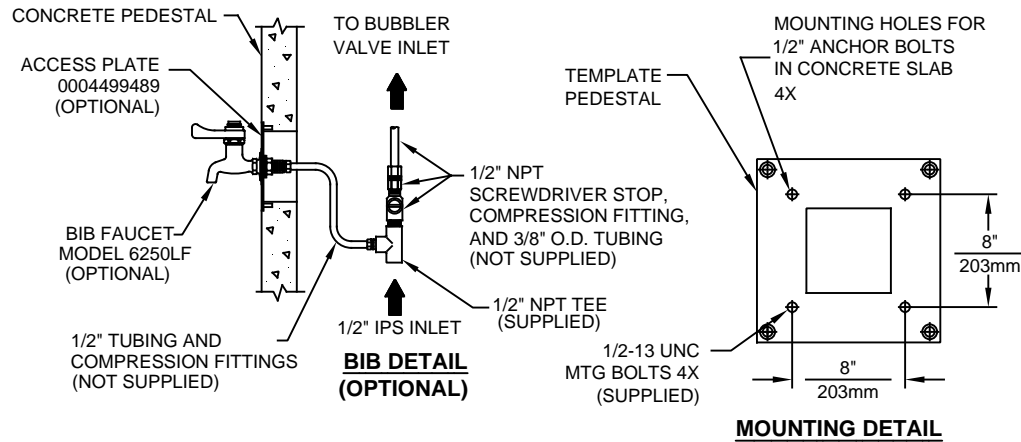
SPECIFICATIONS

Model 3150 ADA vandal-resistant adult or child square concrete pedestal drinking fountain shall include polished stainless steel basins, adjustable height child ADA capable arm, vandal-resistant push-button operated stainless steel valves with front-accessible cartridge and flow adjustment, 100%lead-free waterways, polished chrome-plated brass vandal-resistant bubbler heads protected by hood extensions, polished chrome-plated vandal-resistant waste strainers with top-down clean-out access, Portland Gray exposed aggregate concrete finish with wire reinforcement, integral mounting plate, vandal-resistant stainless steel access plates, and 1-1/2" slip waste.

APPLICATIONS

Perfect for either public or private settings, our concrete series is a great fit in "open-air" environments. Suitable in areas where weather conditions may be cause for concern, this series stands strong from the forest to the beach. Wire reinforced concrete cast design not only protects from corrosion, its Portland Gray color makes it recognizable enough to locate without compromising the outdoor atmosphere. This type of pedestal drinking fountain may also be placed in a variety of settings such as: parks, schools, and other recreational outdoor environments where the temperature remains above freezing. Model meets all current Federal Regulations for the disabled including those in the Americans with Disabilities Act. Haws manufactures drinking fountains, faucets and electric water coolers to be lead-free by all known definitions including NSF/ANSI/CAN 61-Section 9, NSF/ANSI/CAN 372, California Proposition 65, and the Federal Safe Drinking Water Act. Product is compliant to California Health and Safety Code 116875 (AB 1953-2006), and NSF/ANSI/CAN 61: Q ≤ 1.





NOTES:

- 1 REFER TO 5874 SERIES OPERATION AND MAINTENANCE MANUAL FOR PUSH BUTTON AND VALVE INSTALLATION/MAINTENANCE INSTRUCTIONS.
- 2 **PROCEDURE FOR ASSEMBLING ARM TO PEDESTAL:**
IMPORTANT: L-BRACKETS ARE PRE-ASSEMBLED AND **MUST NOT** BE LOOSENED FOR ANY REASON.
 NOTES CONTINUED ON SHEET 2 OF 2.

1455 KLEPPE LANE
 SPARKS, NEVADA 89431
 (775) 359-4712 FAX (775) 359-7424
 E-MAIL: HAWS@HAWSO.COM
 WEBSITE: WWW.HAWSO.COM

| | | | |
|-------------------------|----------------|----------------------------|--------------|
| ECN NO. REVISED PER BY: | MODEL(S) | 3150 | PART NUMBER |
| ECN: 5258 JP | | | 0002077070.D |
| DRAWN: C.J.L. | DATE: 09/92 | CHKD.: GC | REVISION |
| APPROVED: FV | DATE: 11/23/17 | SCALE: 1:13 | 26 |
| | | DRAWING TYPE: INSTALLATION | SHEET 1 OF 2 |

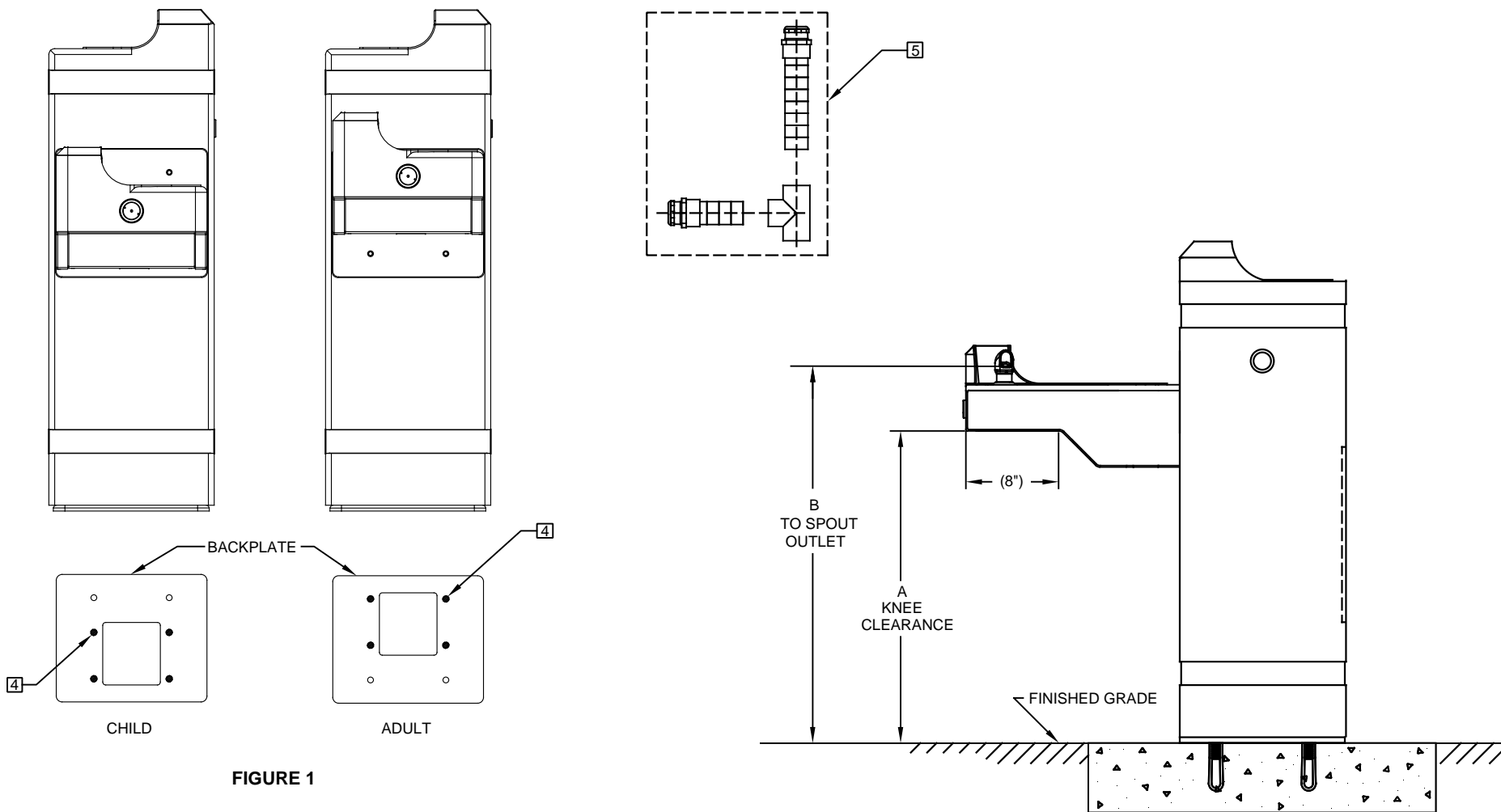


FIGURE 1

NOTES:

STEP 1: ATTACH ENTIRE ARM ASSEMBLY TO MOUNTING PLATE ON PEDESTAL USING THE 3/8" -16 X 1" BOLTS AND WASHERS (SUPPLIED) AND TIGHTEN SECURELY IN PLACE.

STEP 2: (OPTIONAL) APPLY CAULKING AS NEEDED TO FILL ANY GAP BETWEEN ARM AND PEDESTAL.

③ SIDE ARM IS ADJUSTABLE TO ACCOMODATE EITHER CHILD OR ADULT HEIGHTS (SEE "AVAILABLE ARM HEIGHTS" CHART).

④ BASED ON DESIRED HEIGHT (CHILD OR ADULT) OF ARM, ORIENT BACKPLATE AS SHOWN IN FIGURE 1 AND USE APPROPRIATE SHADED HOLES.

⑤ WASTE ASSEMBLY IS SUPPLIED DISASSEMBLED. THE SHORTER OF THE TWO PIECES IS FOR THE ARM DRAIN, AND MUST BE INSTALLED SO THAT ANY BEND IN THE FLEX TUBING WILL ALLOW WATER TO DRAIN COMPLETELY. THE LONGER IS FOR THE PEDESTAL DRAIN AND IS SUPPLIED AT THE LENGTH REQUIRED TO ASSEMBLE THE UNIT WITH THE ARM AT CHILD HEIGHT. IN ORDER TO ASSEMBLE AT ADULT HEIGHT, 3" MUST BE CUT FROM THE END OF THE FLEX TUBING PRIOR TO ASSEMBLY. TEE IS TO BE GLUED TO THE FLEX TUBING WASTE ARMS USING PVC PIPE CEMENT.

| AVAILABLE ARM HEIGHTS | | |
|-----------------------|-----------------|-----------------|
| DIM | ADULT ADA | CHILD ADA |
| A | 27" / 686mm | 24" / 610mm |
| B | 32-3/4" / 832mm | 29-3/4" / 756mm |

1455 KLEPPE LANE
SPARKS, NEVADA 89431
(775) 359-4712 FAX (775) 359-7424
E-MAIL: HAWS@HAWSCO.COM
WEBSITE: WWW.HAWSCO.COM

| | | |
|---|-----------------------------|-----------------------------|
| ECN NO. REVISED PER BY: ECN: 5258 JP | MODEL(S) 3150 | PART NUMBER 0002077070.D |
| DRAWN: CJL DATE: 09/92 CHK'D: GC | APPROVED: FV DATE: 11/23/17 | REVISION 26 |
| SCALE: 1:13 DRAWING TYPE: ENVELOPE | | SIZE: A SHEET 2 OF 2 |