

MOUNTING DETAIL

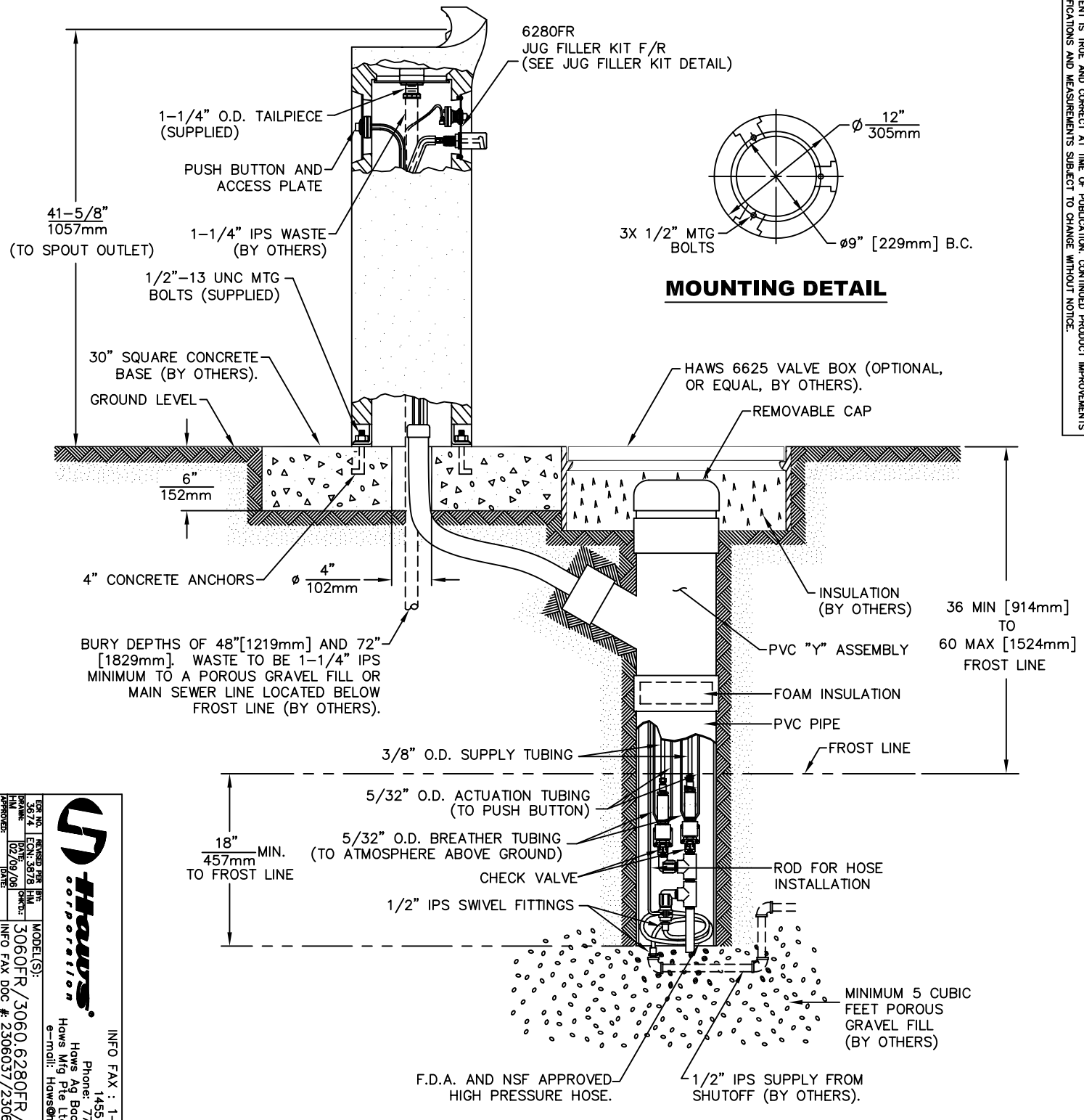
WITH 6518FR VALVE ASSEMBLY

SEE SHEET 4 OF 4 FOR DETAILS

NOTE:

1. SEE MODEL 3060.6280FR (SHT. 2 OF 4) FOR UNIT CONFIGURED WITH 6280FR JUG FILLER KIT.
2. SEE MODEL 3060.6519FR (SHT. 3 OF 4) FOR UNIT CONFIGURED WITH 6519FR FREEZE VALVE.

Haws Corporation	
REG. NO. 12/92 EONE 3478 DATE 12/92 CHECKED APPROVED	MODEL(S): 3060FR / 3060.6280FR / 3060.6519FR INFO FAX DOC # 2306037/23060628/23060937 SCALE: 1/4" = 1"
PHONE: 775-359-4712 FAX: 775-359-7424 Haws Ag Building 3 CH-3401 Burgdorf Switzerland Haws Mfg. Pte Ltd 74 Sunglei Road Loop Singapore 729531 e-MAIL: Haws@hawsco.com website: www.hawsco.com	INFO FAX: 1-888-FAX-HAWS (1-888-329-4297) 1455 Kiappa Ln, Sparks NV, 89431 PHONE: 775-359-4712 FAX: 775-359-7424 Haws Ag Building 3 CH-3401 Burgdorf Switzerland Haws Mfg. Pte Ltd 74 Sunglei Road Loop Singapore 729531 e-MAIL: Haws@hawsco.com website: www.hawsco.com
REG. NO. 07634C00 DATE 07/6/00 SIZE A 1 SH 1 OF 4	REG. NO. 07634C00



MOUNTING DETAIL

BURY DEPTHS OF 48" [1219mm] AND 72" [1829mm]. WASTE TO BE 1-1/4" IPS MINIMUM TO A POROUS GRAVEL FILL OR MAIN SEWER LINE LOCATED BELOW FROST LINE (BY OTHERS).

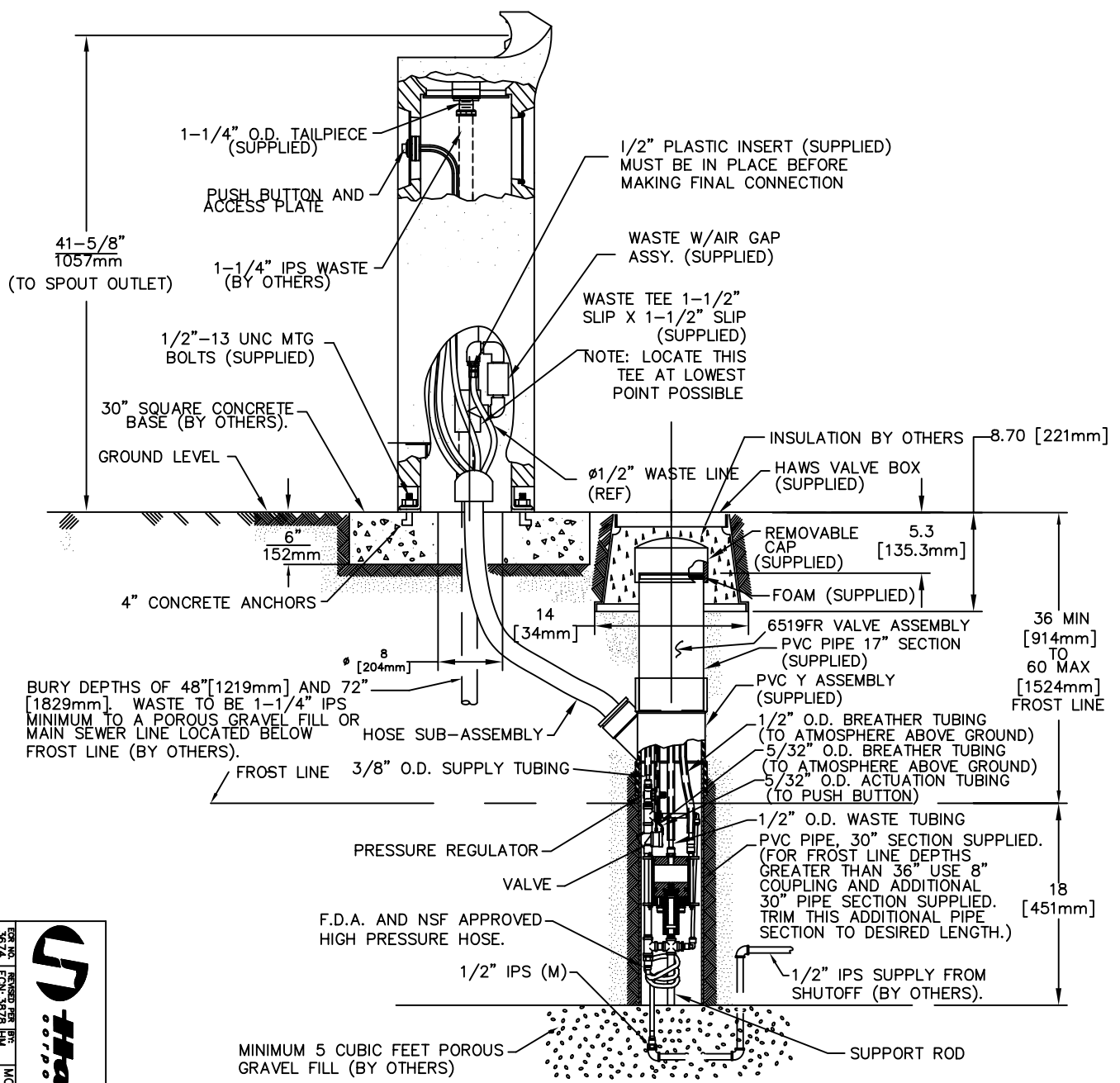
36 MIN [914mm] TO 60 MAX [1524mm] FROST LINE

F.D.A. AND NSF APPROVED HIGH PRESSURE HOSE.

1/2" IPS SUPPLY FROM SHUTOFF (BY OTHERS).

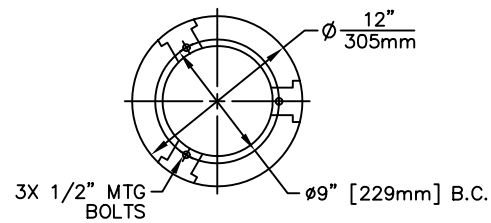
WITH 6518.2FR VALVE ASSEMBLY
SEE SHEET 4 OF 4 FOR DETAILS

Haws Corporation	
REG. NO. 3672 ECN: 3473 DATE: 02/09/06 APPROVER:	MODEL(S): 3060FR/3060.6280FR/3060.6519FR INFO FAX DOC #: 2306037/23060628/23060937
Haws Corporation Haws AG Burgdorf, Switzerland Haws Ming Pte Ltd Singapore www.hawsco.com	INFO FAX : 1-888-FAX-HAWS (1-888-329-4297) 1455 Kiappa Ln, Sparks NV, 89431 Phone: 775-359-4712 Fax: 775-359-7424 Haws AG Burgdorf, Switzerland Haws Ming Pte Ltd 74 Sunglei Kodut Loop Singapore 729531 Website: www.hawsco.com
P.O. NO. 07634C00 DATE: 07/6/06 SIZE: A SHEET: 2 OF 4	



BURY DEPTHS OF 48" [1219mm] AND 72" [1829mm]. WASTE TO BE 1-1/4" IPS MINIMUM TO A POROUS GRAVEL FILL OR MAIN SEWER LINE LOCATED BELOW FROST LINE (BY OTHERS).

WITH 6519FR VALVE ASSEMBLY
SEE SHEET 4 OF 4 FOR DETAILS



MOUNTING DETAIL

Haws Corporation

REG. U.S. PAT. & TM. OFF. INFO FAX : 1-888-FAX-HAWS (1-888-329-4297)

1455 Kiappa Ln, Sparks NY 13609
 Phone: 775-359-4712 Fax: 775-359-7424
 Haws AG Buchweg 3 CH-3401 Burgdorf Switzerland
 Haws Ming Pte Ltd 74 Sungei Kodat Loop Singapore 729531
 e-mail: Haws@hawsco.com website: www.hawsco.com

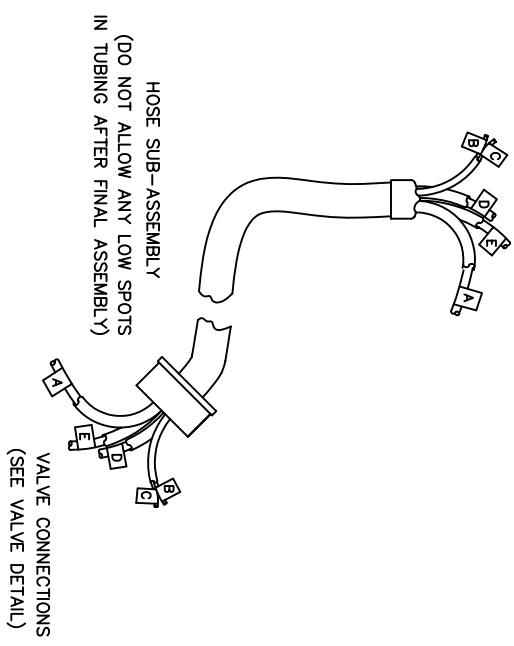
REV. NO.	REVISION	DATE	BY
001	02/06		

MODEL(S): 3060FR / 3060.6280FR / 3060.6519FR
 INFO FAX DOC # 2306037/23060628/23060937

SCALE: 1:1

PROJ. NO.	DATE
07634C00	07/03/06

SIZE: A 1 SH: 3 OF 4

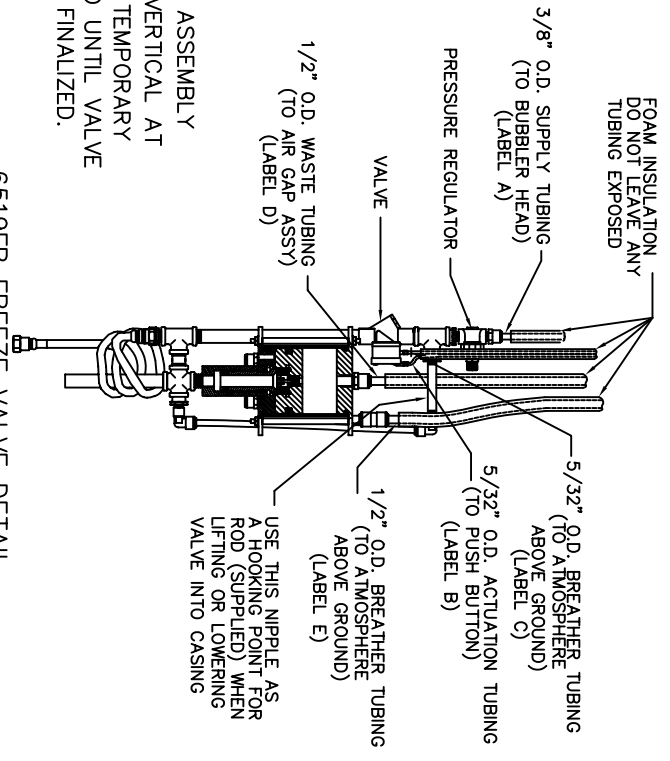


HOSE SUB-ASSEMBLY
(DO NOT ALLOW ANY LOW SPOTS IN TUBING AFTER FINAL ASSEMBLY)

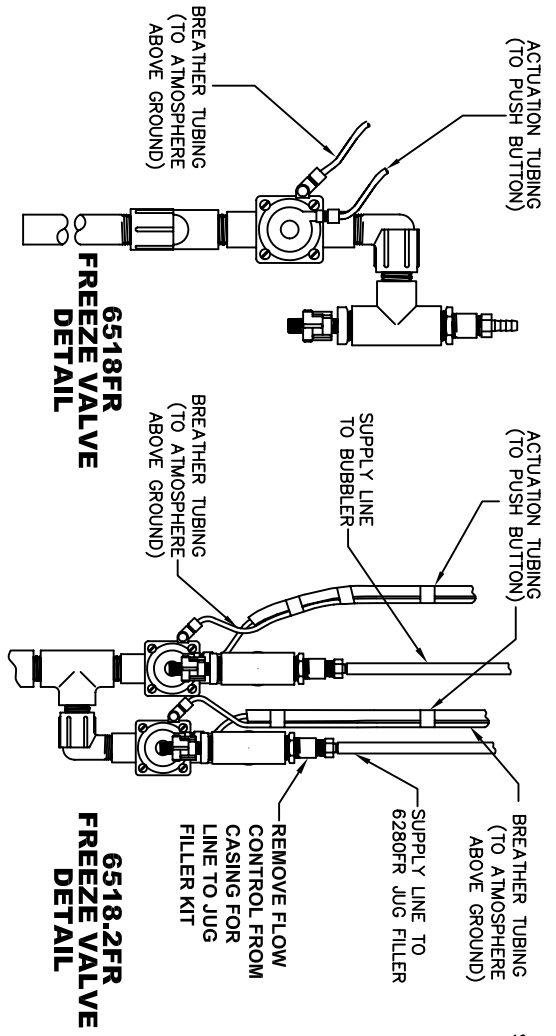
VALVE CONNECTIONS
(SEE VALVE DETAIL)

FOUNTAIN CONNECTIONS
(FOLLOW INSTRUCTIONS ON LABELS)

CAUTION: VALVE ASSEMBLY MUST BE KEPT VERTICAL AT ALL TIMES. USE TEMPORARY STAND PROVIDED UNTIL VALVE INSTALLATION IS FINALIZED.

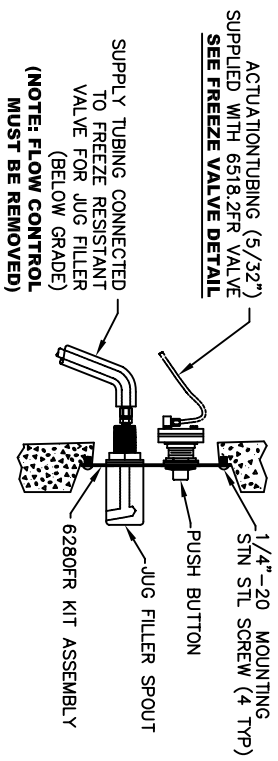


6519FR FREEZE VALVE DETAIL
(3 WAY DIVIDER W/TUBING AT BASE NOT SHOWN FOR CLARITY)



6518FR FREEZE VALVE DETAIL

6518.2FR FREEZE VALVE DETAIL



6280FR JUG FILLER KIT DETAIL

Haws Corporation

Phone: 775-359-4712 Fax: 775-359-7424

Haws Ag Building 3 CH-3401 Burgdorf, Switzerland 29531

Haws King Pte Ltd 74 Sunglei Kodut Loop Singapore 729531

e-trail: Haws@hawsco.com website: www.hawsco.com

REV. NO.	REVISION	DATE	BY	CHKD.	APP. BY
36.74	EONE-34278	02/06	MM	MM	MM
DRAWING DATE					
APPROVED DATE					

MODEL(S): 3060FR / 3060.6280FR / 3060.6519FR

INFO FAX DOC #: 2306037 / 23060628 / 23060937

SCALE: 1:25 DRAWING TYPE: INSTALLATION/ASSEMBLY

INFO FAX : 1-888-FAX-HAWS (1-888-329-4297)

1455 Kiappa Ln, Sparks NV, 89431