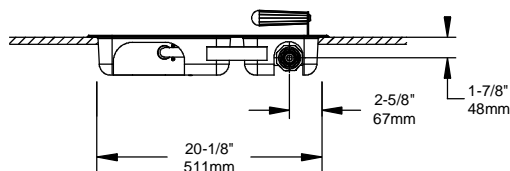
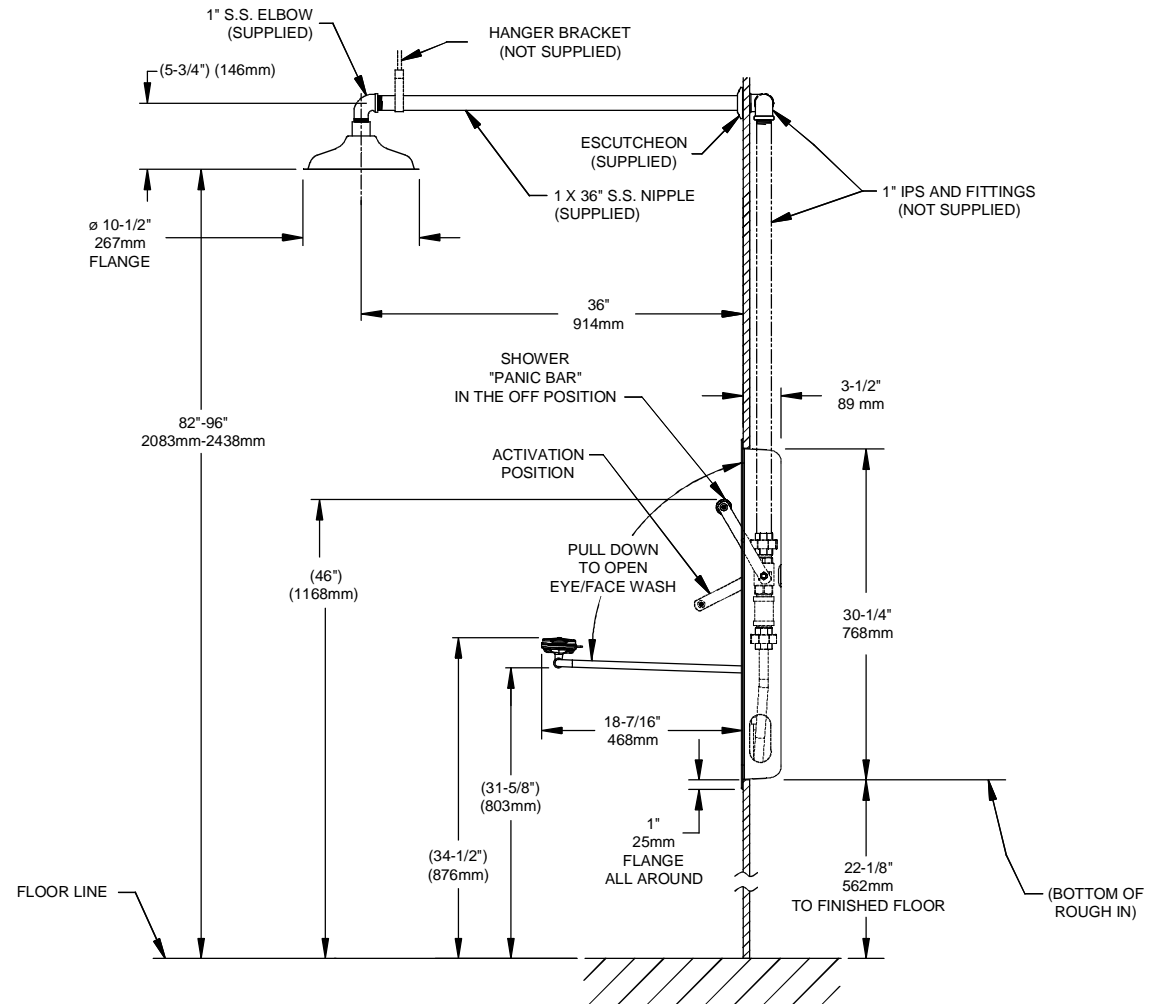
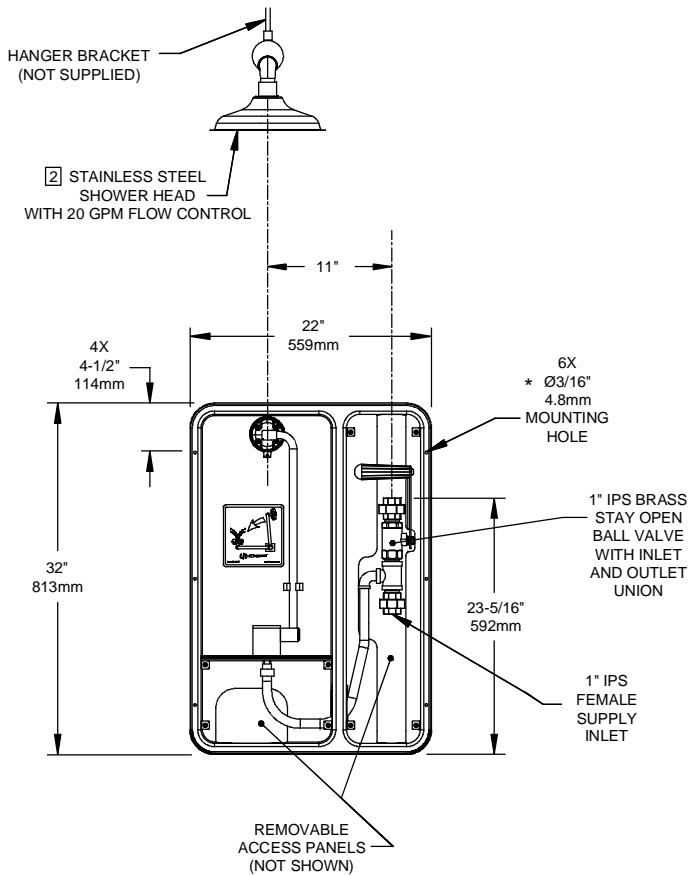



NOTES:

1. WHEN INSTALLING THIS UNIT, LOCAL, STATE OR FEDERAL CODES SHOULD BE ADHERED TO. WASTE CONNECTION MUST ADHERE TO LOCAL HEALTH AND PLUMBING CODES.
2. SHOWER HEAD MUST BE POSITIONED IN-LINE WITH EYE/FACEWASH TO ALLOW FOR SIMULTANEOUS USE BY THE SAME USER PER ANSI Z358.1.
3. FLOW RATE FOR EYE/FACE WASH IS 3.7 GPM AND EXCEEDS ANSI STANDARD Z358.1.
4. DIMENSIONS MAY VARY BY ± 1/2" [12.7mm].
- * 5. MOUNTING HARDWARE NOT SUPPLIED.





1455 KLEPPE LANE
SPARKS, NEVADA 89431
(775) 359-4712 FAX (775) 359-7424
E-MAIL: HAWS@HAWS.CO.COM
WEBSITE: WWW.HAWS.CO.COM

ECN NO. 4290		REVISED PER BY: ECN: 4734 HM		MODEL(S) 8355WCW		PART NUMBER: 0002080142.D	
DRAWN: I. ROBERTS		DATE: 7/13/10		CHKD.:		DRAWING NO.: 15913A00	
APPROVED:		DATE:		SCALE: 1/18		DRAWING TYPE: INSTALLATION	
						SIZE: A SHEET 1 OF 1	

DWG. NO. 15913A00