



model SP157B

Scald Protection Bleed Valve

FEATURES & BENEFITS

SCALD PROTECTION

Protects an emergency shower and/or eyewash from water temperatures that can exceed 95° F (35° C) by bleeding off the excessively warm fluid.

OPTIONS

For more information, visit www.hawesco.com or call (888) 640-4297.



SPECIFICATIONS

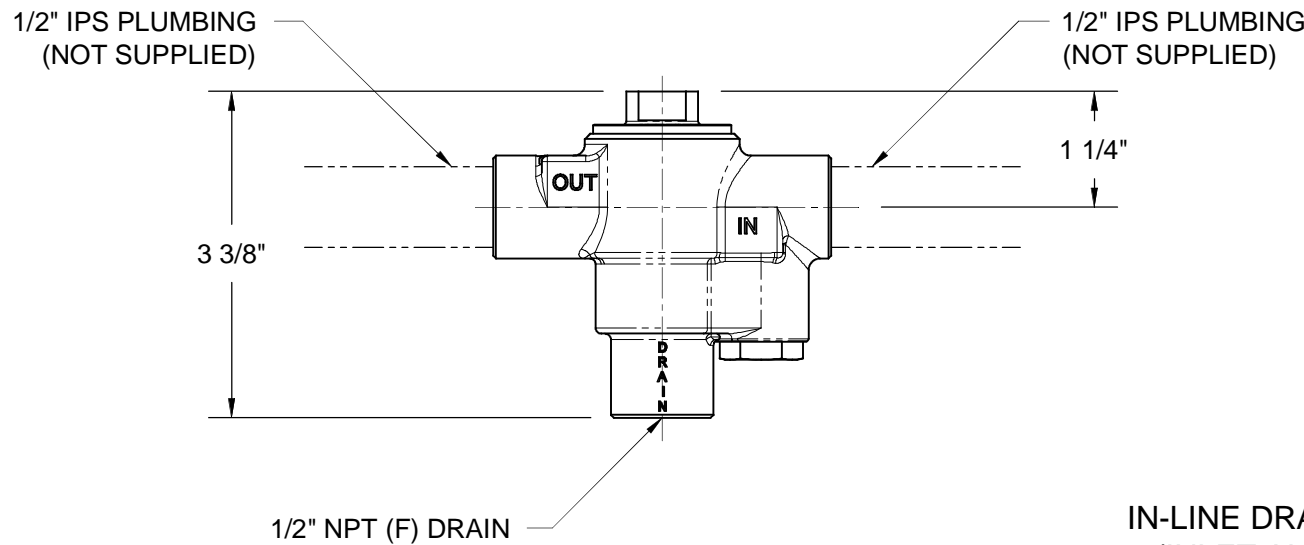
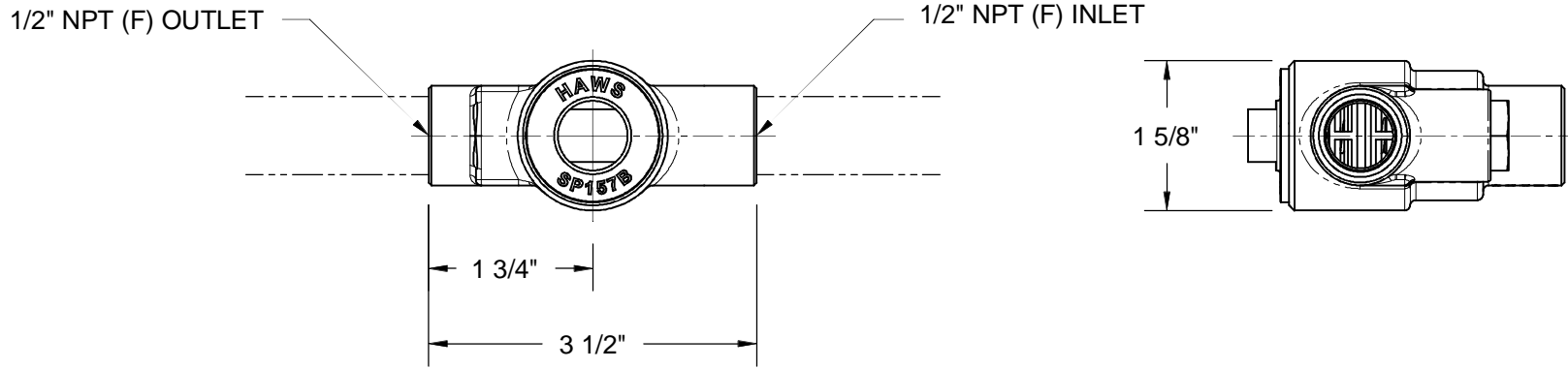
Model SP157B, fully engineered scald protection valve is constructed of a one piece brass body, and supplied with a removable cartridge for easy cleaning and maintenance. Automatic thermal actuator bleed valve opens when internal water temperature exceeds 95° F (35° C) and closes when water temperature falls below 87° F (30° C). 1/2" NPTF inlet and outlet.

APPLICATIONS

Specifically, SP157B is suitable for emergency applications, or other plumbing situations where scalding water temperature protection is needed or required. Can be used in conjunction with most Haws shower and/or eyewash units.



THIS DOCUMENT IS TRUE AND CORRECT AT TIME OF PUBLICATION. CONTINUED PRODUCT IMPROVEMENTS MAKE SPECIFICATIONS AND MEASUREMENTS SUBJECT TO CHANGE WITHOUT NOTICE.



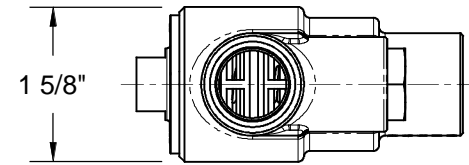
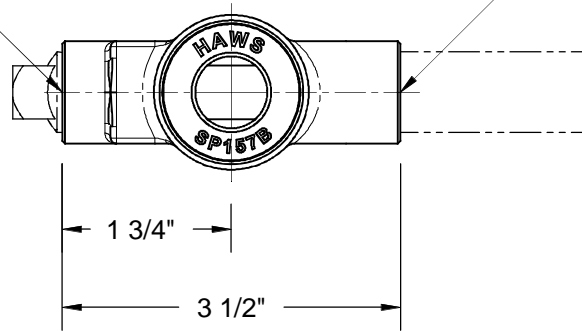
IN-LINE DRAIN INSTALLATION SHOWN
(INLET AND OUTLET CONNECTED)

FOR SPECIFIC INSTRUCTION REGARDING INSTALLATION,
RETRO-FIT, MAINTENANCE OF THIS MODEL CONTACT
HAWS TECHNICAL SUPPORT AT 1-800-766-5612.

		1455 KLEPPE LANE SPARKS, NEVADA 89431 (775) 359-4712 FAX (755) 359-7424 E-MAIL: HAWS@HAWSCO.COM WEBSITE: WWW.HAWSCO.COM	
		ECN NO. 4703 DRAWN: VWC APPROVED:	REVISED PER: ECN: 4844 DATE: 10/25/12
		PART NUMBER 0002080125.D	REV 4
		SCALE: 1/1 DRAWING TYPE: INSTALLATION	SIZE: A SHEET 1 OF 2

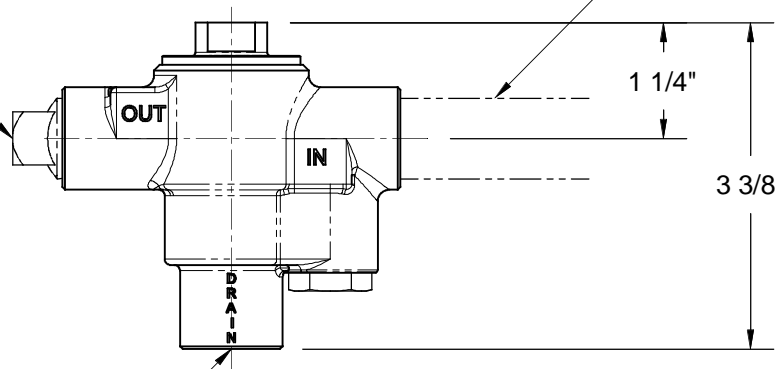
1/2" NPT (F) OUTLET

1/2" NPT (F) INLET



1/2" NPT (M) SQUARE PLUG
(NOT SUPPLIED)

1/2" IPS PLUMBING
(NOT SUPPLIED)



1/2" NPT (F) DRAIN

DEAD-LEG DRAIN INSTALLATION SHOWN
(INLET CONNECTED / OUTLET PLUGGED)

FOR SPECIFIC INSTRUCTION REGARDING INSTALLATION,
RETRO-FIT, AND MAINTENANCE OF THIS MODEL CONTACT
HAWS TECHNICAL SUPPORT AT 1-800-766-5612.



Haws[®]

1455 KLEPPE LANE
SPARKS, NEVADA 89431
(775) 359-4712 FAX (755) 359-7424
E-MAIL: HAWS@HAWS.CO.COM
WEBSITE: WWW.HAWS.CO.COM

ECN NO. 4703	REVISED PER ECN: 4844	BY: DP	MODEL(S)	PART NUMBER
DRAWN: VWC	DATE: 10/25/12	CHK'D:	SP157B	0002080125.D
APPROVED:	DATE:		SCALD PROTECTION VALVE	DRAWING NO. 16234A
			SCALE: 1/1	INSTALLATION
				SIZE: A SHEET 2 OF 2