

FEATURES & BENEFITS

CONSTRUCTION

18 Gauge Type 304 Stainless Steel surface-mounted cabinet is a deep-drawn heavy duty structure with smooth electro-polished finish to provide a durable, long lasting product.

EYE/FACE WASH HEAD

AXION® MSR eye/face wash head uses an inverted directional laminar flow to sweep contaminants away from the vulnerable nasal cavity.

SHOWERHEAD

AXION® MSR stainless steel showerhead uses a hydrodynamic design to give equal distribution of water throughout the entire footprint of flow.

QUALITY CONTROL

Eye/face wash and valve assembly are pre-built and fully water/pressure tested to ensure no leaks and proper function which ultimately reduces installation time.

ACCESSIBILITY

Pull-down design accommodates all users including wheelchair accessibility.

OPTIONS

- Thermostatic Mixing Valve: Model 9201E AXION® Emergency Tempering Valve thermostatically mixes hot and cold water to provide a safe fluid supply for emergency showers and eyewash equipment, with a flow rate of 31 gpm (117.3 L).
- Emergency Alarm System: Model 9001, 1-1/4" 120 VAC emergency alarm and light system. Buzzer and flashing light are activated by an 1-1/4" double pole, double throw flow switch.
- ANSI Shower and Eyewash Testing Kit: Model 9011 ANSI compliance test kit.
- Three Sided Safety Sign: Model 9020 green and yellow ABS plastic 3-sided high visibility sign.

For more information, visit www.hawsc.com or call (888) 640-4297.



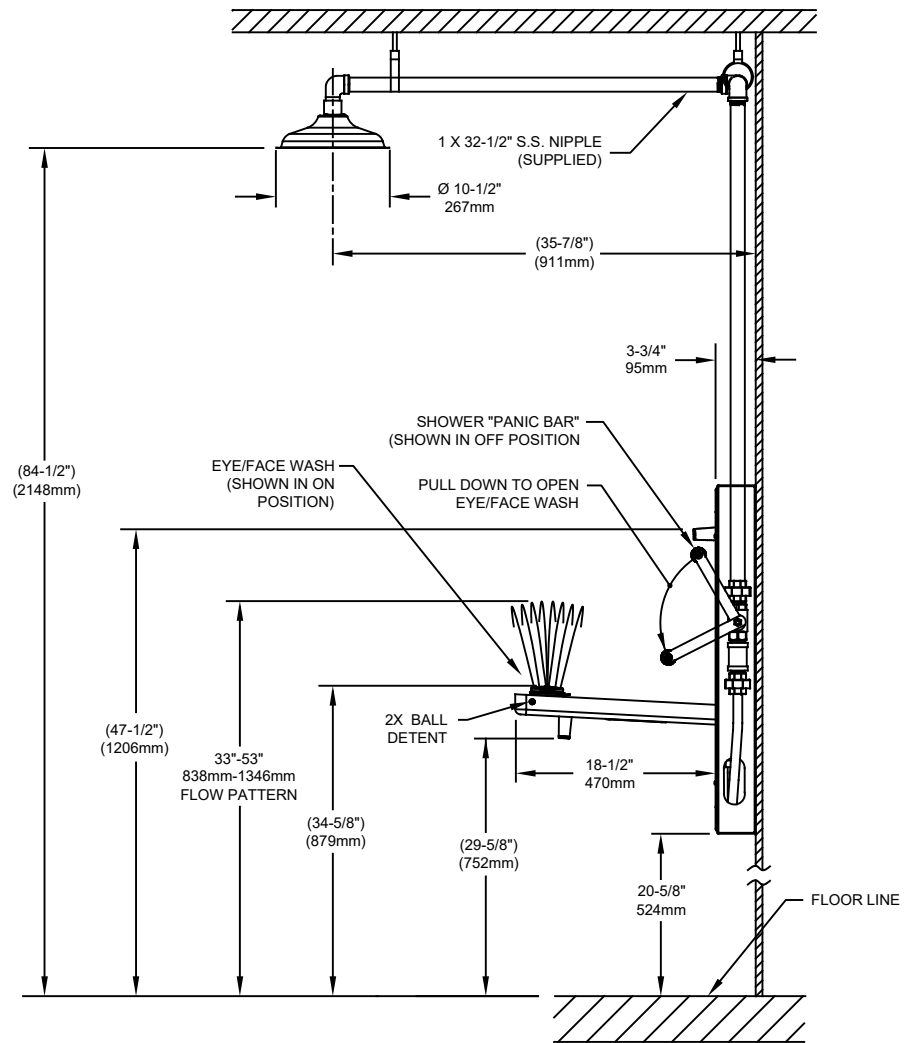
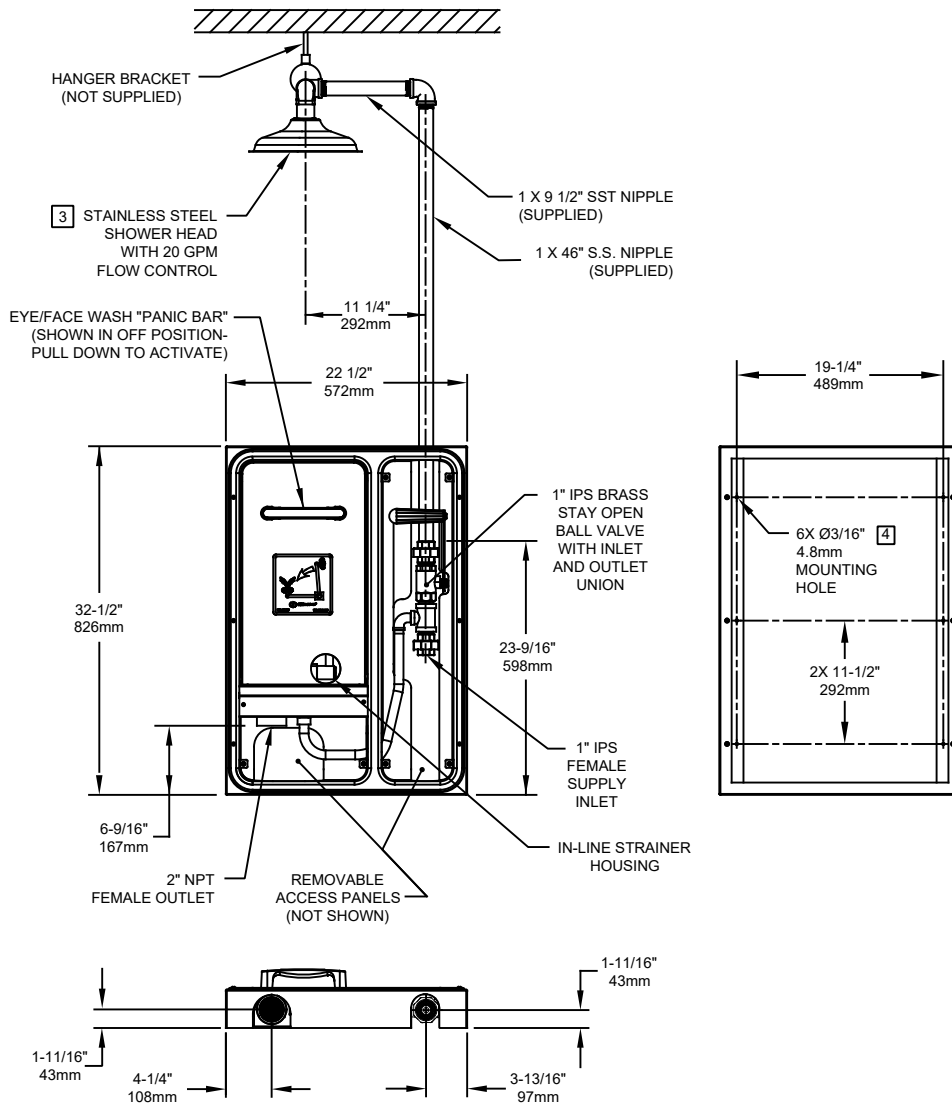
SPECIFICATIONS

Model 8356WCSM wheelchair accessible surface-mounted combination shower and eye/face wash shall include an AXION® MSR eye/face wash head shall feature inverted directional laminar flow which achieves Zero Vertical Velocity™ supplied by an integral 4.2 gpm flow control. Unit shall also include the AXION MSR hydrodynamic design stainless steel showerhead with 20 gpm flow control, a surface-mounted wall mounted 18 Gauge, Type 304 stainless steel deep-drawn electro-polished cabinet, stainless steel surface-mount support enclosure, and polished chrome-plated brass pull-down eye/face wash valve with easy access in-line strainer. Unit shall also include stainless steel pipe and fittings, 1" brass shower ball valve, a drain pan, a front-access maintenance panel, universal sign, 1" NPT(F) inlet and 2" NPT(F) drain. Operating pressure is 30 – 90 psi (2.1 – 6.2 bar).

APPLICATIONS

Where the eyes, face, or body of any person may be exposed to injurious or corrosive materials, suitable facilities for quick drenching or flushing of the eyes, face, and body shall be provided within the work area for immediate emergency use. Emergency eye/face wash facilities and deluge showers shall be in unobstructed and accessible locations that require no more than 10 seconds for the injured person to reach. Model 8356WCSM is certified by CSA to meet the ANSI Z358.1 Standard for Emergency Eyewash and Shower Equipment.





- NOTES:
- WHEN INSTALLING THIS UNIT, LOCAL, STATE, OR FEDERAL CODES SHOULD BE ADHERED TO FOR INSTALLATION DIMENSIONS (LOCATIONS), WASTE AND SUPPLY REQUIREMENTS OTHER THAN SHOWN.
 - TO COMPLY WITH ANSI Z358.1-2014 FOR EMERGENCY EYEWASH OR EYE/FACE WASH: EYEWASH OR EYE/FACE WASH SHALL BE POSITIONED SUCH THAT FLUSHING FLUID PATTERN IS NOT LESS THAN 33" (838mm), NO GREATER THAN 53" (1346mm) FROM SURFACE ON WHICH USER STANDS, AND 6.0" (153mm) MINIMUM FROM WALL OR NEAREST OBSTRUCTION.
 - SHOWER MUST BE POSITIONED IN-LINE WITH EYE/FACEWASH HEAD TO ALLOW FOR SIMULTANEOUS USE BY THE SAME USER PER ANSI Z358.1.
 - MOUNTING HARDWARE NOT SUPPLIED.
 - DIMENSIONS MAY VARY BY ±1/2" (13 mm).

		Haws®		1455 KLEPPE LANE SPARKS, NEVADA 89431 (775) 359-4712 FAX (775) 359-7424 E-MAIL: HAWS@HAWSCO.COM WEBSITE: WWW.HAWSCO.COM	
				MODEL(S) 8356WCSM	
ECN NO. 4290	REVISED PER ECN: 5752	BY: FV	DATE: 7/13/10		CHK'D.: JL
DRAWN: I. ROBERTS		DATE: 10/19/21		SCALE: 1/19	
APPROVED: FV		DATE: 10/19/21		DRAWING TYPE: INSTALLATION	
				SIZE: A	
				SHEET 1 OF 1	