

FEATURES & BENEFITS

CONSTRUCTION

18 Gauge Type 304 Stainless Steel recessed cabinet is a deep-drawn heavy duty structure with smooth electro-polished finish to provide a durable, long lasting product.

EYE/FACE WASH HEAD

AXION® MSR eye/face wash head uses an inverted directional laminar flow to sweep contaminants away from the vulnerable nasal cavity.

SHOWERHEAD

AXION® MSR stainless steel showerhead uses a hydrodynamic design to give equal distribution of water throughout the entire footprint of flow.

ACCESSIBILITY

Pull-down design accommodates all users including wheelchair accessibility.

VALVE

Valve is designed to make the flushing of fluid occur with the pull of the eyewash bend.

OPTIONS

- Thermostatic Mixing Valve: Model 9201E AXION® Emergency Tempering Valve thermostatically mixes hot and cold water to provide a safe fluid supply for emergency showers and eyewash equipment, with a flow rate of 31 gpm (117.3 L).
- Emergency Alarm System: Model 9001, 1-1/4" 120 VAC emergency alarm and light system. Buzzer and flashing light are activated by an 1-1/4" double pole, double throw flow switch.
- Thermostatic Mixing Valve: Model TWBS.SHE; Lead-free AXION® Emergency Tempering Valve thermostatically mixes hot and cold water to provide a safe fluid supply for emergency shower and eyewash equipment, with a flow rate of 74 gpm (280 L).
- ANSI Shower and Eyewash Testing Kit: Model 9011 ANSI compliance test kit.

For more information, visit www.hawsc.com or call (888) 640-4297.



SPECIFICATIONS

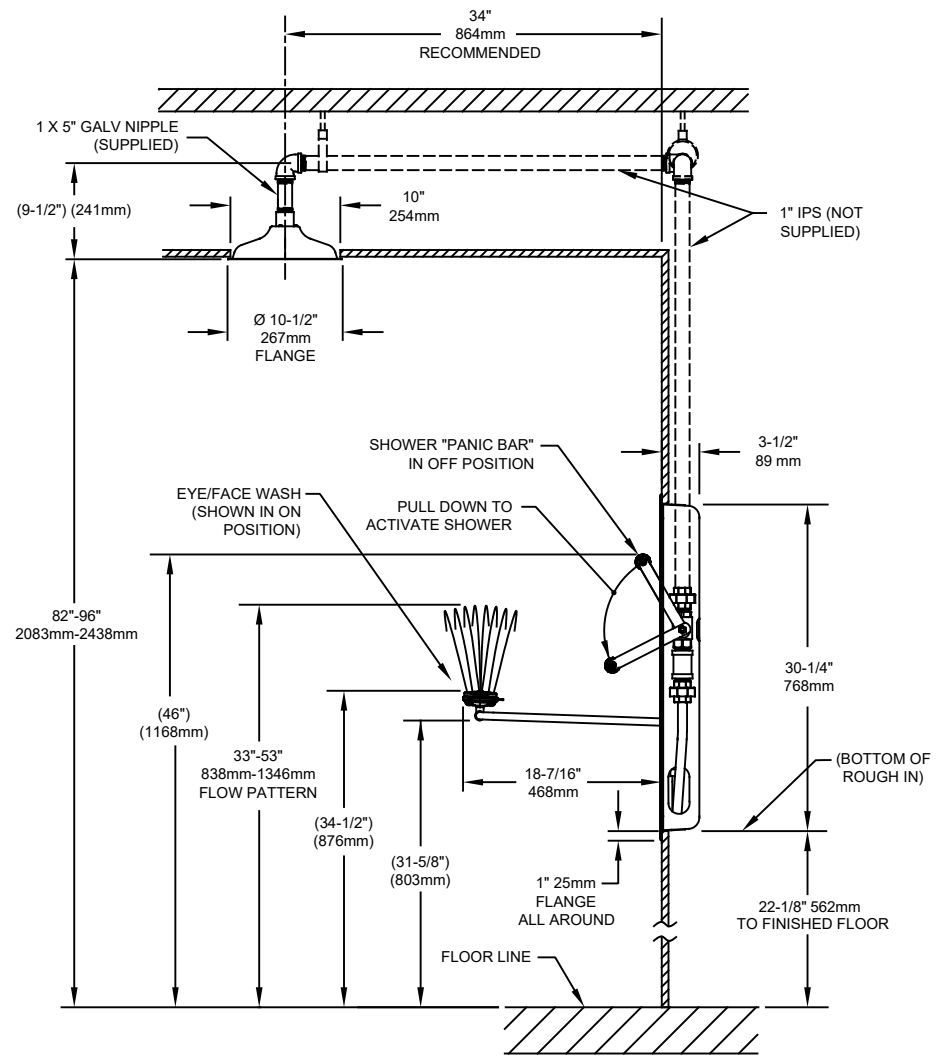
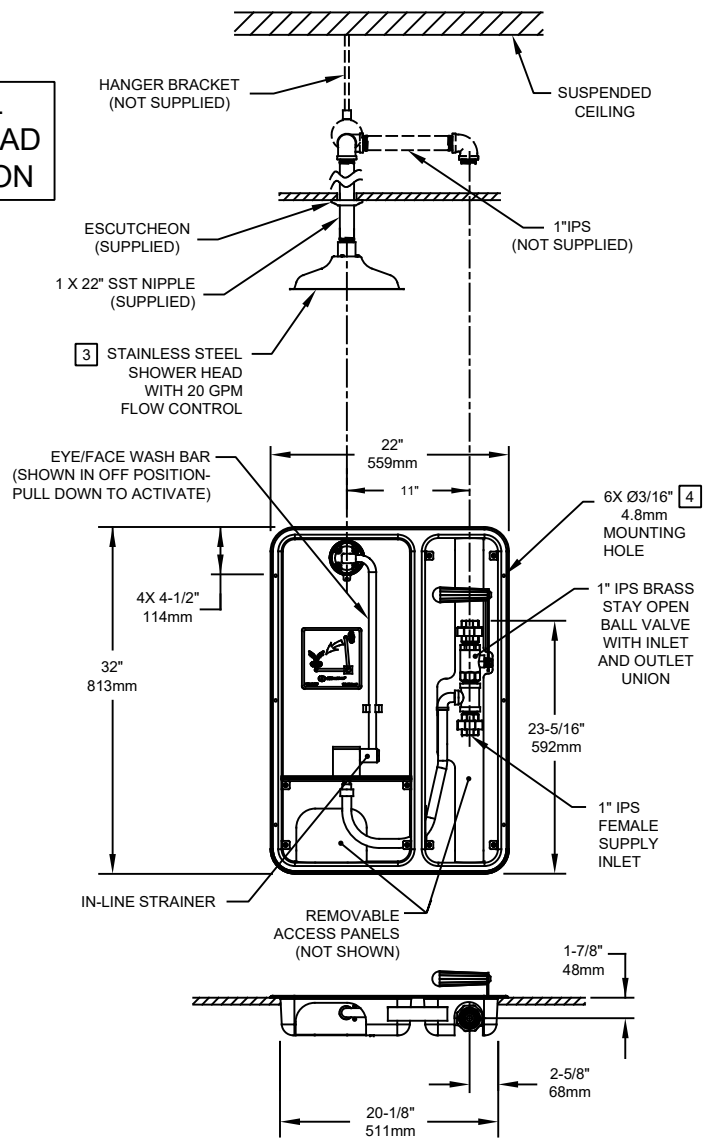
Model 8355WCC barrier-free combination shower and eye/face wash shall include an AXION® MSR eye/face wash head shall feature inverted directional laminar flow which achieves Zero Vertical Velocity™ supplied by an integral 4.2 gpm flow control. Unit shall also include the AXION MSR hydrodynamic design stainless steel showerhead with 20 gpm flow control, a fully recessed wall mounted 18 Gauge, Type 304 stainless steel deep-drawn electro-polished cabinet, wheelchair accessibility, and polished chrome-plated brass pull-down eye/face wash valve with easy access in-line strainer. Unit shall also include brass pipe and fittings, a front-access maintenance panel, universal sign, 1" NPT(F) inlet. Operating pressure is 30 – 90 psi (2.1 – 6.2 bar).

APPLICATIONS

Where the eyes, face, or body of any person may be exposed to injurious or corrosive materials, suitable facilities for quick drenching or flushing of the eyes, face, and body shall be provided within the work area for immediate emergency use. Emergency eye/face wash facilities and deluge showers shall be in unobstructed and accessible locations that require no more than 10 seconds for the injured person to reach. Model 8355WCC is certified by CSA to meet the ANSI Z358.1 Standard for Emergency Eyewash and Shower Equipment.




OPTIONAL SHOWER HEAD INSTALLATION



NOTES:

1. WHEN INSTALLING THIS UNIT, LOCAL, STATE, OR FEDERAL CODES SHOULD BE ADHERED TO FOR INSTALLATION DIMENSIONS (LOCATIONS), WASTE AND SUPPLY REQUIREMENTS OTHER THAN SHOWN.
2. TO COMPLY WITH ANSI Z358.1-2014 FOR EMERGENCY EYEWASH OR EYE/FACE WASH: EYEWASH OR EYE/FACE WASH SHALL BE POSITIONED SUCH THAT FLUSHING FLUID PATTERN IS NOT LESS THAN 33" (838mm), NO GREATER THAN 53" (1346mm) FROM SURFACE ON WHICH USER STANDS, AND 6.0" (153mm) MINIMUM FROM WALL OR NEAREST OBSTRUCTION.
3. SHOWER MUST BE POSITIONED IN-LINE WITH EYE/FACEWASH HEAD TO ALLOW FOR SIMULTANEOUS USE BY THE SAME USER PER ANSI Z358.1.
4. MOUNTING HARDWARE NOT SUPPLIED.
5. DIMENSIONS MAY VARY BY ±1/2" (13 mm).



Haws

1455 KLEPPE LANE
SPARKS, NEVADA 89431
(775) 359-4712 FAX (775) 359-7424
E-MAIL: HAWS@HAWS.CO.COM
WEBSITE: WWW.HAWS.CO.COM

PART NUMBER
0002080140.D

REVISION
6

ECN NO. 4290	REVISED PER ECN: 5752	BY: FV	MODEL(S) 8355WCC	
DRAWN: I. ROBERTS	DATE: 7/13/10	CHK'D: JL		
APPROVED: FV	DATE: 10/19/21		SCALE: NA	DRAWING TYPE: INSTALLATION