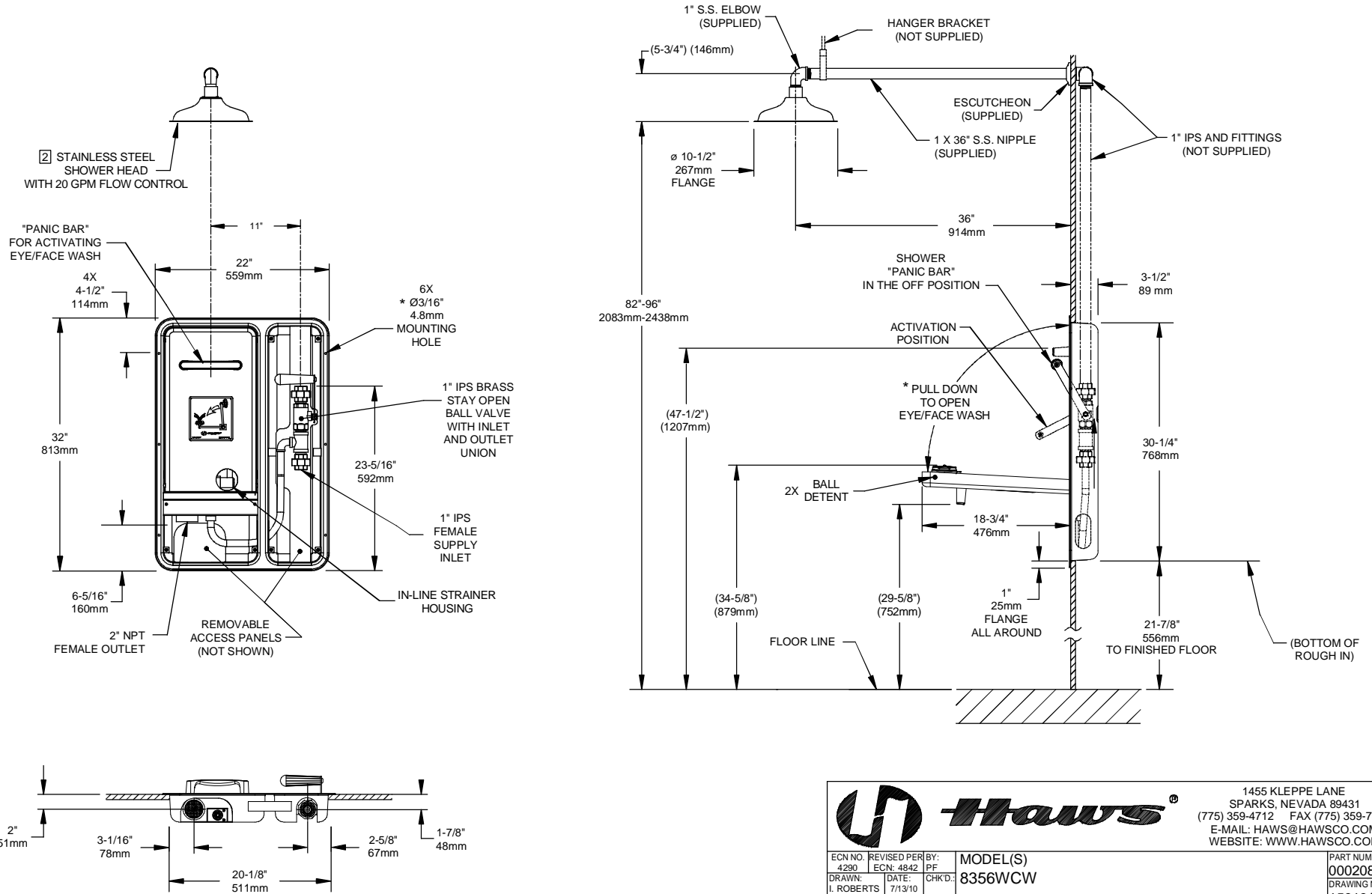


**NOTES:**

1. WHEN INSTALLING THIS UNIT, LOCAL, STATE OR FEDERAL CODES SHOULD BE ADHERED TO. WASTE CONNECTION MUST ADHERE TO LOCAL HEALTH AND PLUMBING CODES.
2. SHOWER HEAD MUST BE POSITIONED IN-LINE WITH EYE/FACEWASH HEAD TO ALLOW FOR SIMULTANEOUS USE BY THE SAME USER PER ANSI Z358.1.
3. FLOW RATE FOR EYE/FACE WASH IS 3.7 GPM AND EXCEEDS ANSI STANDARD Z358.1.
4. DIMENSIONS MAY VARY BY ± 1/2" [12.7mm].
- \* 5. MOUNTING HARDWARE NOT SUPPLIED.



DRAWING NO. 15919A00

<span style="font-size: 24pt; font-weight: bold; vertical-align: middle;">Haws<sup>®</sup></span>		1455 KLEPPE LANE SPARKS, NEVADA 89431 (775) 359-4712 FAX (775) 359-7424 E-MAIL: HAWS@HAWS.CO.COM WEBSITE: WWW.HAWS.CO.COM	
ECN NO. 4290 DRAWN: I. ROBERTS APPROVED:	REVISIONS: 1. DATE: 7/13/10 DATE:	BY: PF CHK'D:	MODEL(S) 8356WCW
PART NUMBER: 0002080172.D DRAWING NO.: 15919A00 REV. 5		SCALE: 1/18 DRAWING TYPE: INSTALLATION	SIZE: A SHEET 1 OF 1