



model 3661

Modular Outdoor Bottle Filler Hose Bib

FEATURES & BENEFITS

OPTIONS

For more information, visit www.hawsc.com or call (888) 640-4297.



SPECIFICATIONS

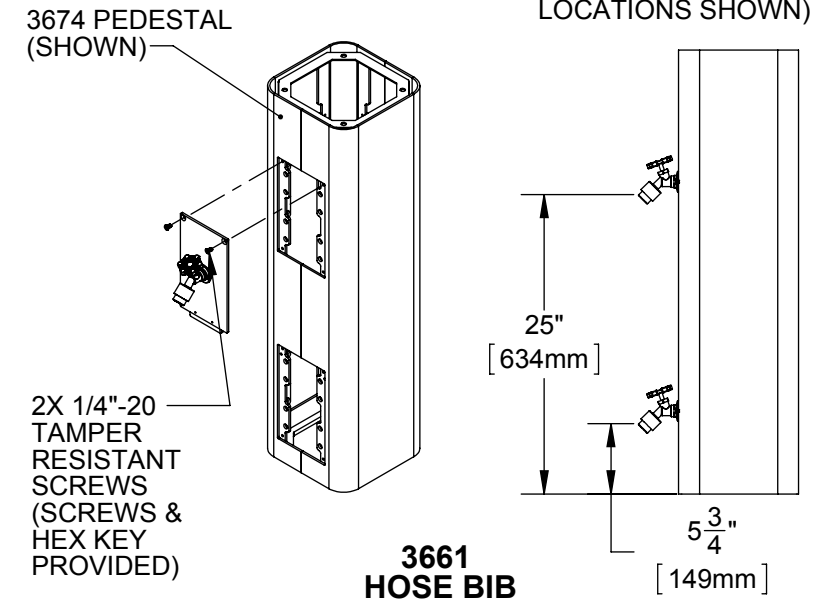
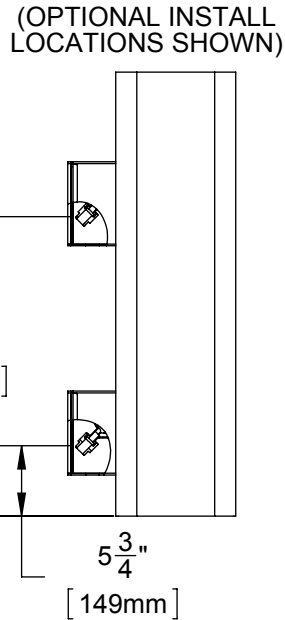
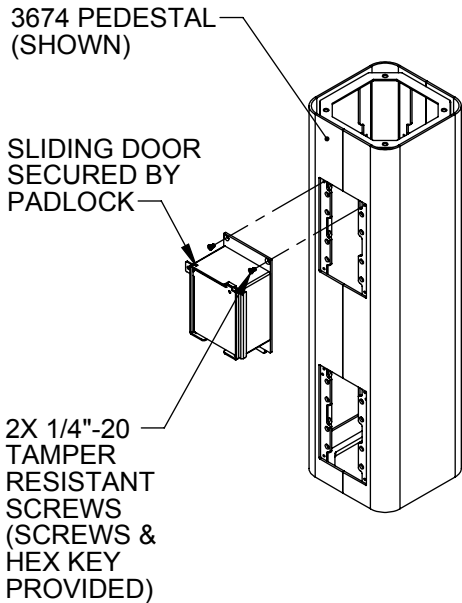
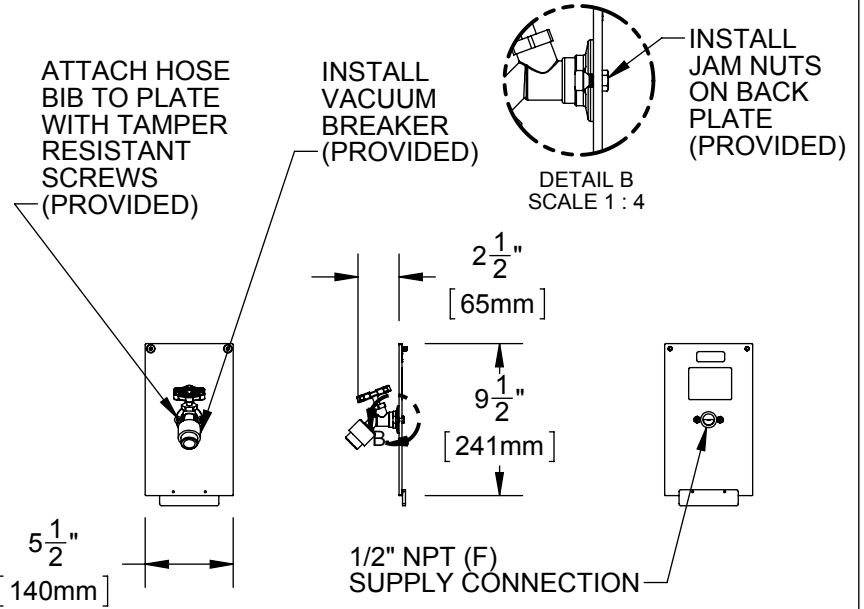
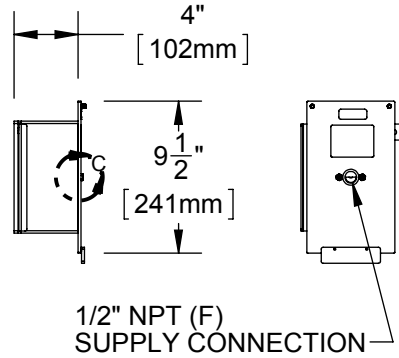
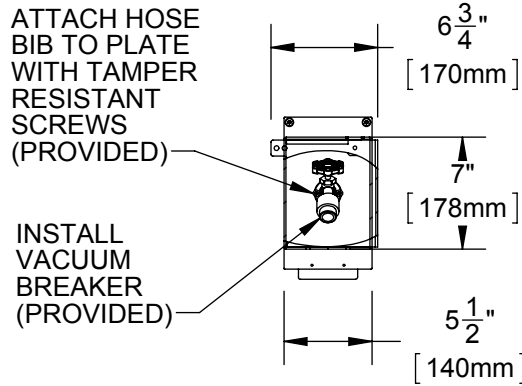
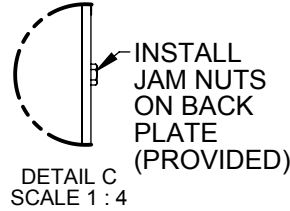
Model 3661 compression hose bib, turn-knob activated faucet is mounted with tamper-resistant screws to a ready-to-install panel, which is made of heavy-duty 3/16" fabricated phosphated steel with silver powder-coated finish. Connection is 3/4" male hose thread x 1/2" female NPT inlet.

APPLICATIONS

Model 3661, panel mounted compression hose bib faucet is designed for the 3600 series modular outdoor pedestals.

NOTES:

- HOSE BIB IS DESIGNED TO MOUNT ON PEDESTAL 3674 OR 3675.
- WHEN INSTALLING THIS UNIT, LOCAL, STATE, OR FEDERAL CODES SHOULD BE ADHERED TO. INSTALL A SCREWDRIVER STOP IN THE SUPPLY LINE IF REQUIRED.



**3660
LOCKABLE HOSE BIB**

NOTE: MODEL 3660/3661 CAN BE PLACED AT ANY OPENING ON THE PEDESTAL.

		1455 KLEPPE LANE SPARKS, NEVADA 89431 (775) 359-4712 FAX (775) 359-7424 E-MAIL: HAWS@HAWSO.COM WEBSITE: WWW.HAWSO.COM	
		ECN: 5226 REV. ECN: 5226 DRAWN: MH APPROVED: MJ	BY: MH CHKD: MJ DATE: 04/24/17 DATE: 12/18/17
SCALE: 1:16		DRAWING TYPE: INSTALLATION	
SIZE: A		SHEET 1 OF 1	