



**INSTALLATION, OPERATION
&
MAINTENANCE INSTRUCTIONS**

1455 Kleppe Lane ♦ Sparks, NV 89431-6467 ♦ (775) 359-4712 ♦ Fax (775) 359-7424
E-mail: haws@hawsco.com ♦ website: www.hawsco.com

No. 0510000779(1)

Modular Outdoor Hose Bib

MODELS 3660/3661

NOTE TO INSTALLER: Please leave this information with the Maintenance Department.

LIMITED WARRANTY

HAWS warrants that this specific product is guaranteed against defective material or poor workmanship for a period of **one year from date of shipment**. HAWS liability under this warranty shall be discharged by furnishing without charge F.O.B. HAWS Factory any goods, or part thereof, which shall appear to the Company upon inspection to be of defective material or not of first class workmanship, provided that claim is made in writing to Haws within a reasonable period after receipt of the product. Where claims for defects are made, the defective part or parts shall be delivered to the Company, prepaid, for inspection. HAWS will not be liable for the cost of repairs, alterations or replacements, or for any expense connected therewith made by the owner or his agents, except upon written authority from HAWS, Sparks, Nevada. HAWS will not be liable for any damages caused by defective materials or poor workmanship, except for replacements, as provided above. Buyer agrees that HAWS shall not be liable for general, special, or consequential damages claimed to arise under the contract of sale. The drinking fountain manufactured by HAWS is warranted to function if installation and maintenance instructions provided are adhered to. The units also must be used for the purpose for which they were intended.

**NO OTHER WARRANTIES EXPRESSED OR IMPLIED ARE AUTHORIZED,
PROVIDED OR GIVEN BY HAWS.**

**SHOULD YOU EXPERIENCE DIFFICULTY WITH THE INSTALLATION OF THIS
MODEL PLEASE CALL:**

TECHNICAL SUPPORT: 1-800-766-5612

FOR CUSTOMER SERVICE: 1-888-640-4297

RECOMMENDED TOOLS: 12" adjustable wrench, 5/32" tamper-resistant hex key wrench (supplied).

LOCATION OF UNIT: The Model 3660//3661 Modular Outdoor Hose Bib is designed to be used with the 3674 or 3675 pedestal. The hose bib can be mounted in any pedestal opening. When installing this unit, local, state or federal codes should be adhered to.

SUPPLY LINE:

Where sediment or mineral content is a problem, an inlet filter is recommended. The minimum recommended line size for the 3660/3661 is 1/2" IPS with 30-90 psi (2-6 ATM) flowing pressure.

INSTALLATION PROCEDURE

The model 3660/3661 Hose Bibs are designed for use with 36XX Modular Outdoor Drinking Fountain system. The hose bib can be installed in any opening on the pedestal or relocated to a different location later. Multiple hose bibs can be installed if desired.

1. Connect the hose bib to the backplate using the supplied 10-32 vandal-resistant screws and hex wrench. Install the supplied jam nuts on the back side of the screws to prevent loosening.
2. Attach the backplate to the pedestal using the supplied 1/4-20 tamper-proof screws and hex wrench.
3. Plumb the hose bib to the water supply using 1/2" IPS threaded connection using either hard pipe or flexible tubing as desired.
4. Install supplied vacuum breaker on hose bib.

GENERAL NOTES:

1. **For all plastic push-in type fitting connections, only connect NSF-61 copper or plastic tubing. Stainless steel or glass tubing is not recommended. The following assembly instructions must be followed to ensure a watertight connection:**
 - a. Cut tubing square and clean.
 - b. Mark from end of tube the length of insertion (See table below).
 - c. Push tube into the fitting until it bottoms out.
 - d. To remove, depress collet and pull tubing out.

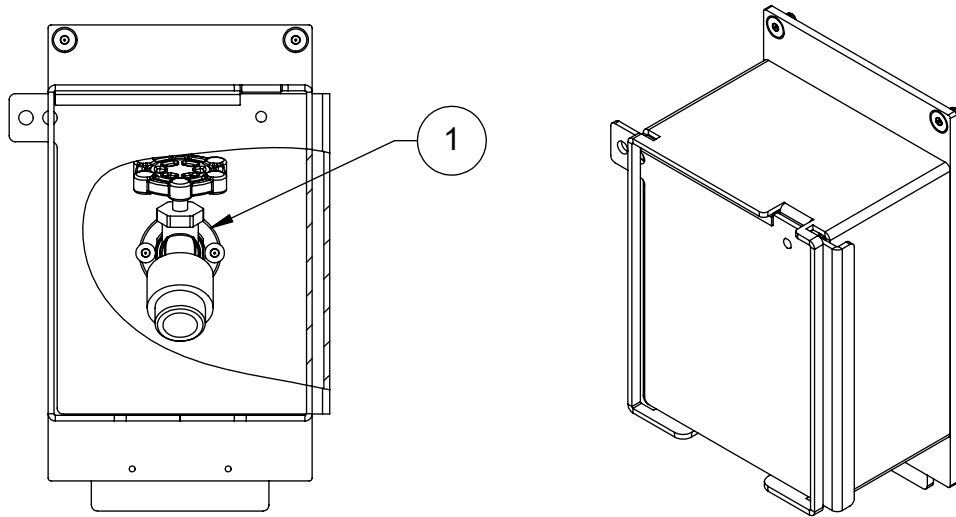
Tube Sizes	O.D. Tolerance	Insertion Depth
1/4"	±.005"	11/16"
3/8"	±.005"	3/4"
1/2"	±.005"	7/8"
5/8"	±.005"	1-1/8"

TROUBLESHOOTING

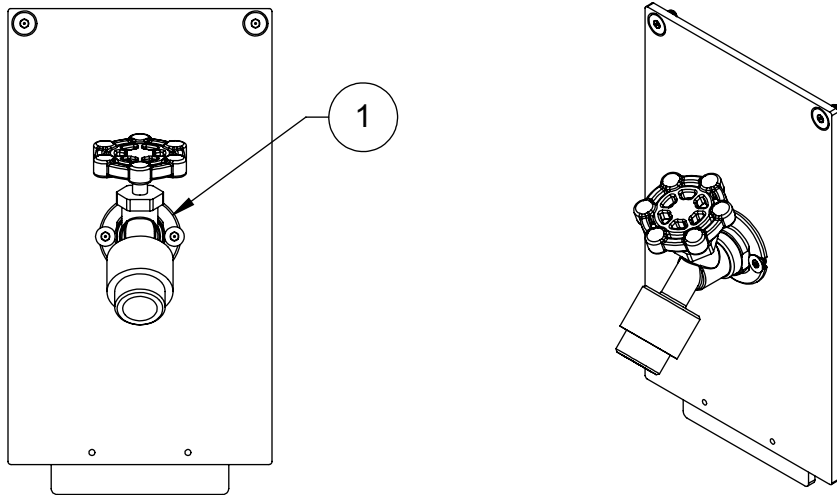
PROBLEM	REPAIR CHECKLIST
1. Insufficient water flow (3660/3661)	1a. Verify supply line water flow. b. Verify hose bib not clogged.

For more information about Haws products, see our website: www.hawSCO.com

ITEM	PART NO.	DESCRIPTION
1	6275	VALVE, HOSE BIBB



MODEL 3660
LOCKABLE HOSE BIBB



MODEL 3661
HOSE BIBB

PARTS BREAKDOWN



1455 KLEPPE LANE
SPARKS, NEVADA 89431
(775) 359-4712 FAX (775) 359-7424
E-MAIL: HAWS@HAWS.CO.COM
WEBSITE: WWW.HAWS.CO.COM

ECN: 5226	REV. ECN: 5226	BY: MH	MODEL(S)	PART NUMBER
DRAWN: MH	DATE: 05/17/17	CHKD: MJ	3660 -LOCKABLE HOSE BIB 3661 -HOSE BIB	0510000779
APPROVED: MJ	DATE: 12/18/17	SCALE: 1:4	DRAWING TYPE: PARTS BREAKDOWN	REVISION 1
WHEN ORDERING PARTS PLEASE SPECIFY PART NUMBER			SIZE: A	SHEET 1 OF 1