



**INSTALLATION, OPERATION
&
MAINTENANCE INSTRUCTIONS**

1455 Kleppe Lane ♦ Sparks, NV 89431-6467 ♦ (775) 359-4712 ♦ Fax (775) 359-7424
E-mail: haws@hawsco.com ♦ website: www.hawsco.com

No. 0510000704(1)

Modular Outdoor Fountain System

**MODELS 3600/3601/3602/3603/3610/3611/3612/3620/3621/3630/3601FR/
3602FR/3603FR/3610FR/3611FR/3612FR/3620FR/3621FR/3630FR**

NOTE TO INSTALLER: Please leave this information with the Maintenance Department.

LIMITED WARRANTY

HAWS warrants that this specific product is guaranteed against defective material or poor workmanship for a period of **one year from date of shipment**. HAWS liability under this warranty shall be discharged by furnishing without charge F.O.B. HAWS Factory any goods, or part thereof, which shall appear to the Company upon inspection to be of defective material or not of first class workmanship, provided that claim is made in writing to Haws within a reasonable period after receipt of the product. Where claims for defects are made, the defective part or parts shall be delivered to the Company, prepaid, for inspection. HAWS will not be liable for the cost of repairs, alterations or replacements, or for any expense connected therewith made by the owner or his agents, except upon written authority from HAWS, Sparks, Nevada. HAWS will not be liable for any damages caused by defective materials or poor workmanship, except for replacements, as provided above. Buyer agrees that HAWS shall not be liable for general, special, or consequential damages claimed to arise under the contract of sale. The drinking fountain manufactured by HAWS is warranted to function if installation and maintenance instructions provided are adhered to. The units also must be used for the purpose for which they were intended.

**NO OTHER WARRANTIES EXPRESSED OR IMPLIED ARE AUTHORIZED,
PROVIDED OR GIVEN BY HAWS.**

**SHOULD YOU EXPERIENCE DIFFICULTY WITH THE INSTALLATION OF THIS
MODEL PLEASE CALL:**

TECHNICAL SUPPORT: 1-800-766-5612

FOR CUSTOMER SERVICE: 1-888-640-4297

RECOMMENDED TOOLS: Hack saw, PVC solvent weld glue, screwdriver, level, 12" adjustable wrench, 10" pipe wrench, 1/8" or 5/32" tamper-resistant hex key wrench (supplied), 9/16", 1/2", 7/16" socket wrench or open- end wrench.

LOCATION OF UNIT: The Model 36XX/36XXFR Modular Fountain System can be assembled to be wheelchair accessible. When the pedestal arm is installed in the high orientation, the height dimensions shown on the model specification sheet meet current ADA requirements. When installing this unit, local, state or federal codes should be adhered to. If height other than shown is required, then dimensions must be adjusted accordingly.

SUPPLY LINE: The minimum recommended line size is 1/2"IPS with 30-90 psi (2-6 ATM) flowing pressure. Where sediment or mineral content is a problem, an inlet filter is recommended.

PLUMBING CONNECTIONS: Inlet is 3/8"O.D. quick-connect fitting. Waste outlet is female 1-1/2" PVC pipe. Plumbing connections vary depending on how the unit is configured during assembly. The pedestal (3674/3675) is supplied with various fittings and PVC pipe for a top waste connection. The arm (3671/3673) is supplied with various fittings, waste tee, and elbow for a side arm waste connection. If two arms are attached to the pedestal at the same height, a 1-1/2" PVC cross is required (not supplied) for connecting the waste lines.

MAINTENANCE:

For 36XX models- Periodically clean the pushbutton strainer. Refer to 5874 Series Valve Operation and Maintenance Sheet for more information.

For 36XXFR models- Refer to 6518 Operation and Maintenance Sheet for more information.

INSTALLATION PROCEDURE

The 36XX Modular Outdoor Drinking Fountain is a system in interchangeable components that can be installed in the configuration best suited to the installation site. The fountain can re-configured after installation as desired. Follow the installation procedures outlined in the installation diagram. 36XXFR versions must be connected to 6518 series freeze resistant bury valve. See 6518 installation manual for instructions.

GENERAL NOTES:

1. **For all plastic push-in type fitting connections, only connect NSF-61 copper or plastic tubing. Stainless steel or glass tubing is not recommended. The following assembly instructions must be followed to ensure a watertight connection:**
 - a. **Cut tubing square and clean.**
 - b. **Mark from end of tube the length of insertion (See table below).**
 - c. **Push tube into the fitting until it bottoms out.**
 - d. **To remove, depress collet and pull tubing out.**

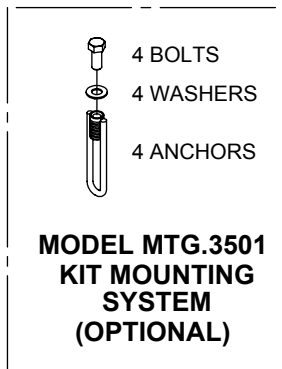
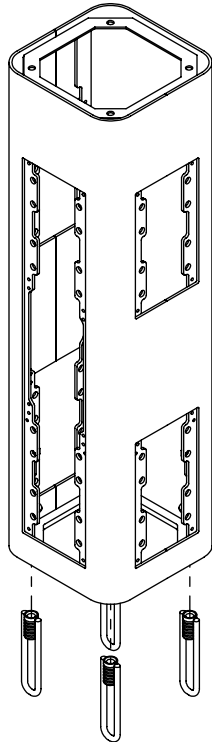
Tube Sizes	O.D. Tolerance	Insertion Depth
1/4"	±.005"	11/16"
3/8"	±.005"	3/4"
1/2"	±.005"	7/8"
5/8"	±.005"	1-1/8"

TROUBLESHOOTING

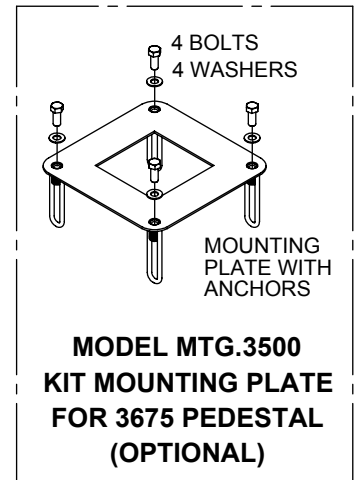
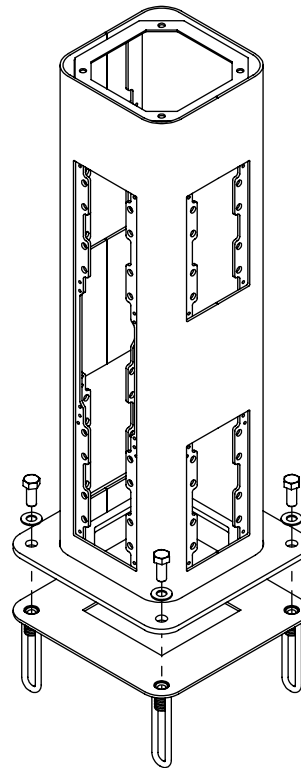
PROBLEM	REPAIR CHECKLIST
1. Insufficient bubbler flow (3680/3680FR Drinking Fountain)	1a. Verify minimum 30 psi flowing supply pressure. b. For 3680- Check that inlet screwdriver stop valve is wide open. Clean inlet strainer or adjust valve to increase flow. See 5874 Series Valve Manual. c. For 3680FR- Adjust valve to increase flow. See 6518FR Manual.
2. Insufficient bottle filler flow (3690/3690FR Bottle Filler)	2a. Nozzle strainer is clogged. Use nozzle removal tool to remove strainer and replace. Replacement strainers may be ordered by calling Customer Service. b. For 3690- Check that inlet screwdriver stop valve is wide open. Clean inlet strainer or adjust valve to increase flow. See 5874 Series Valve Manual. c. For 3690FR- Adjust valve to increase flow. See 6518FR Manual.

For more information about Haws products, see our website: www.hawSCO.com

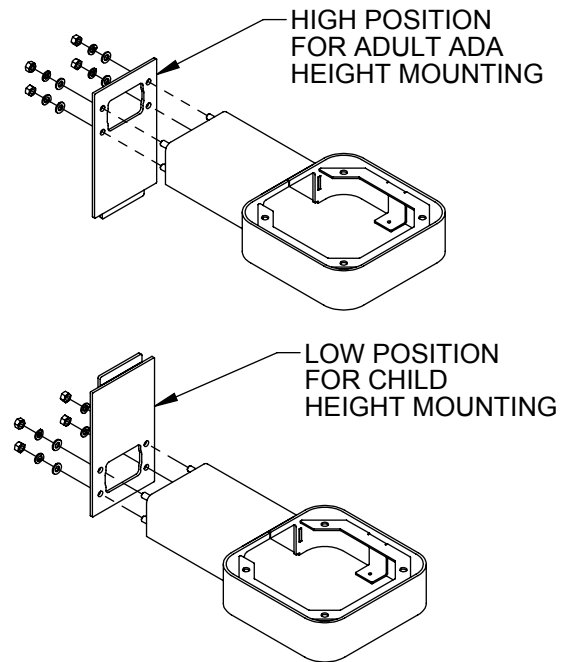
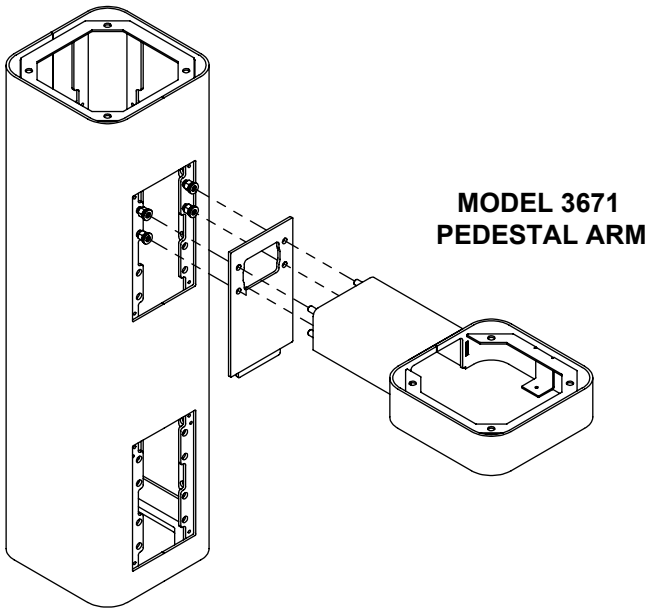
**MODEL 3674
PEDESTAL, INTERNAL MOUNT**



**MODEL 3675
PEDESTAL, EXTERNAL MOUNT**



STEP 1:
MOUNT PEDESTAL TO CONCRETE SLAB IN DESIRED ORIENTATION.



STEP 2:
ATTACH SIDE ARMS (IF SUPPLIED). ROTATE THE COVER PLATE TO THE HIGH OR LOW POSITION AS DESIRED. BOLT THE ARMS TO THE PEDESTAL USING THE SUPPLIED 3/8" WASHERS, LOCK WASHERS AND NUTS.

NOTE: UP TO THREE ARMS CAN BE MOUNTED ON THE PEDESTAL. ARMS CAN BE MOUNTED ON THE BACK TO CREATE A 90° CONFIGURATION.

		1455 KLEPPE LANE SPARKS, NEVADA 89431 (775) 359-4712 FAX (775) 359-7424 E-MAIL: HAWS@HAWS.CO.COM WEBSITE: WWW.HAWS.CO.COM	
		ECN: 5226 REV. ECN: 5226 DRAWN: MH DATE: 08/29/17 APPROVED: MJ DATE: 12/18/17	BY: MH CHKD: MJ MODEL(S) MODULAR OUTDOOR FOUNTAIN SYSTEM
WHEN ORDERING PARTS PLEASE SPECIFY PART NUMBER			
SCALE: 1:8		DRAWING TYPE: PARTS BREAKDOWN	
SIZE: A		SHEET 1 OF 7	

**MODEL 3680
DRINKING FOUNTAIN TOP
(SAME PROCEDURE FOR
BOTTLE FILLER TOP)**

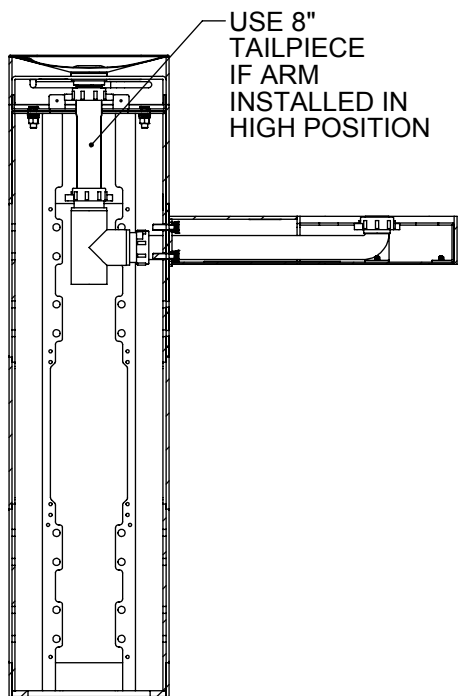
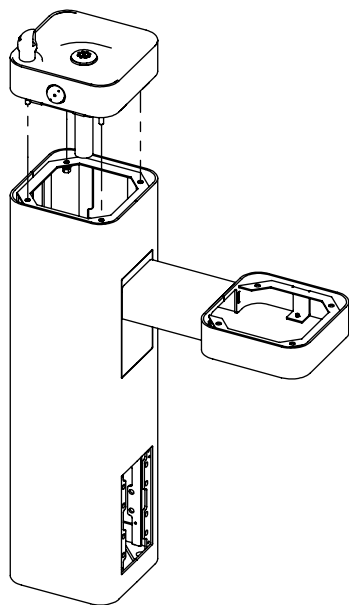


FIGURE 1

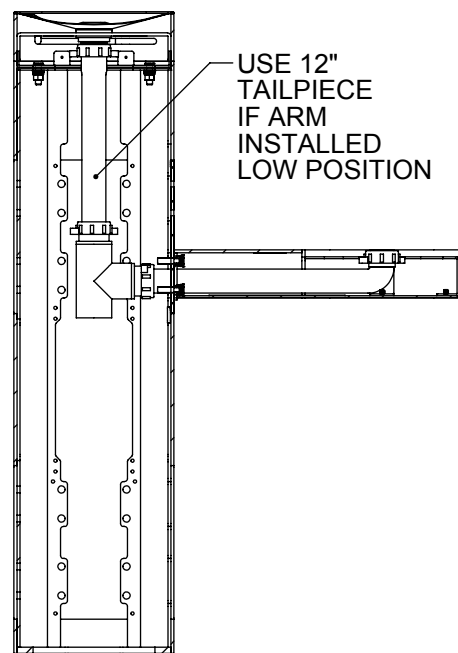
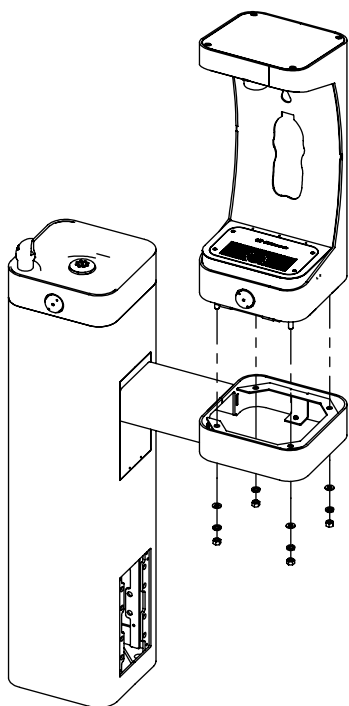


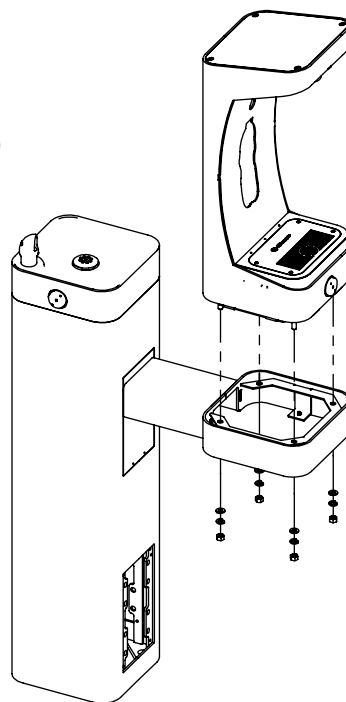
FIGURE 2

STEP 3:

ATTACH THE DESIRED MODULE TO THE TOP OF THE PEDESTAL. INSTALL THE DRAIN TAILPIECE PRIOR TO MOUNTING THE TOP. IF THE SIDE ARM IS IN THE HIGH POSITION, USE THE 8" TAILPIECE (SEE FIGURE 1). IF THE SIDE ARM IS IN THE LOW POSITION, USE THE 12" TAILPIECE (SEE FIGURE 2.)




**MODEL 3690
BOTTLE FILLER TOP
(SAME PROCEDURE FOR
DRINKING FOUNTAIN TOP)**



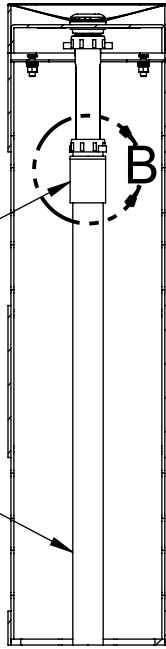
STEP 4:

ATTACH THE DESIRED MODULE TO THE SIDE ARM. THE MODULE CAN BE ROTATED TO FACE THE DESIRED DIRECTION.

			1455 KLEPPE LANE SPARKS, NEVADA 89431 (775) 359-4712 FAX (775) 359-7424 E-MAIL: HAWS@HAWSO.COM WEBSITE: WWW.HAWSO.COM	
			ECN: 5226 DRAWN: MH APPROVED: MJ	REV. ECN: 5226 DATE: 08/29/17 DATE: 12/18/17
WHEN ORDERING PARTS PLEASE SPECIFY PART NUMBER				
© 2018 Haws Corporation - All Rights Reserved. HAWS® and other trademarks used in these materials are the exclusive property of Haws Corporation.			SCALE: 1:16 DRAWING TYPE: PARTS BREAKDOWN SIZE: A SHEET 2 OF 7	

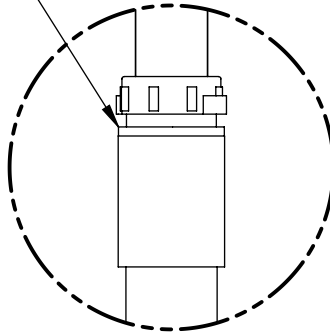
1-1/2 PVC COUPLING SUPPLIED WITH PEDESTAL

1-1/2 PVC PIPE SUPPLIED WITH PEDESTAL. CUT TO LENGTH.



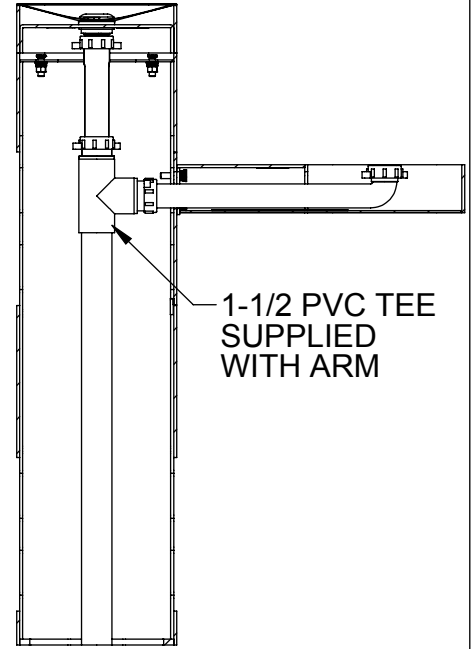
PEDESTAL - NO ARMS

USE PVC GLUE TO ATTACH ADAPTER INTO COUPLING



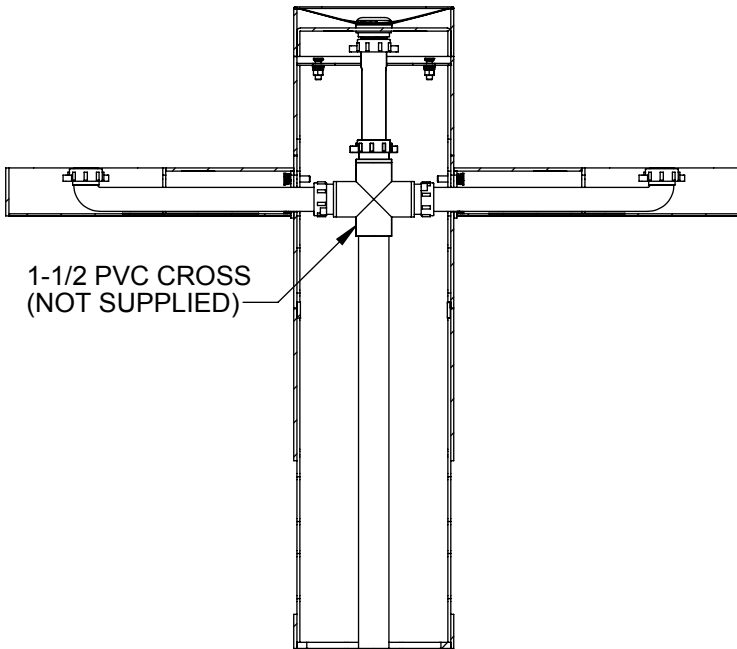
DETAIL B
SCALE 1 : 4

1-1/2 PVC TEE SUPPLIED WITH ARM



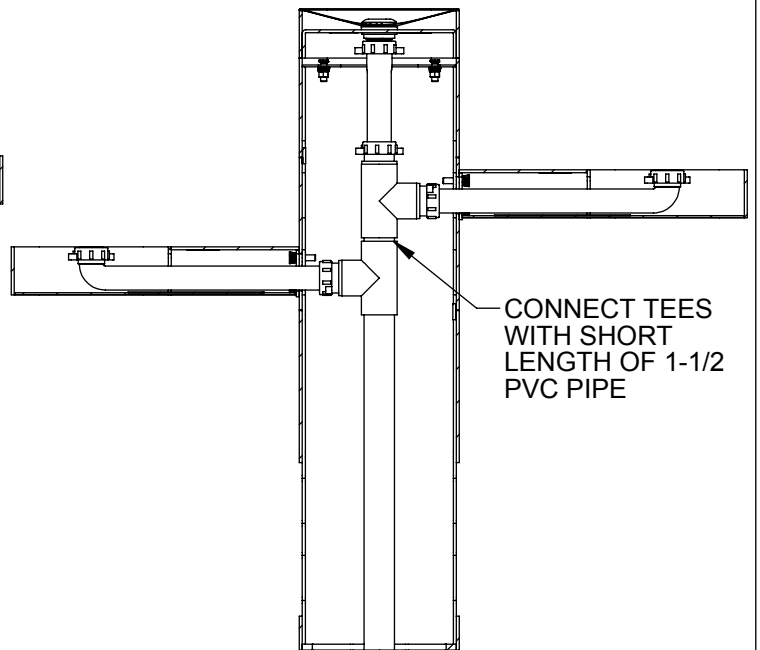
PEDESTAL - ONE ARM

1-1/2 PVC CROSS (NOT SUPPLIED)



PEDESTAL - TWO ARMS
HIGH / HIGH CONFIGURATION

CONNECT TEES WITH SHORT LENGTH OF 1-1/2 PVC PIPE



PEDESTAL - TWO ARMS
HIGH / LOW CONFIGURATION

STEP 5:

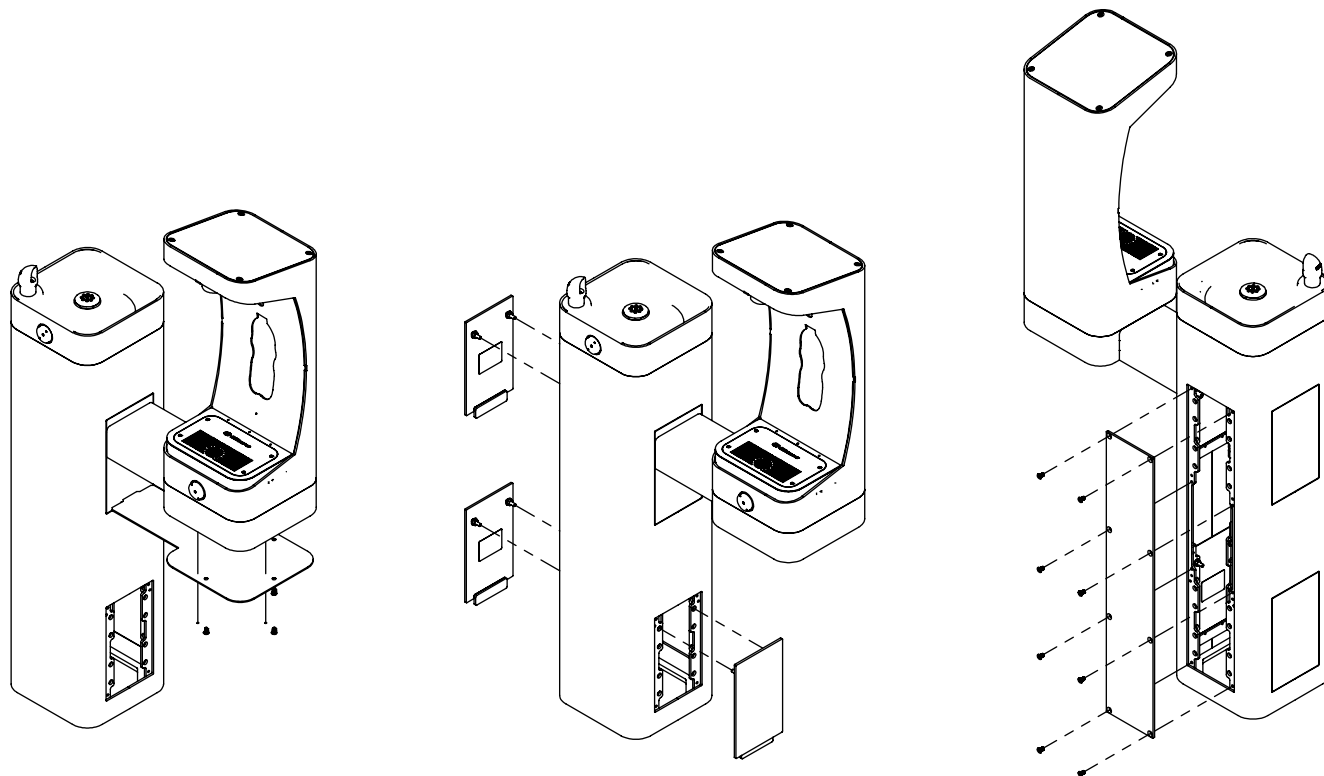
INSTALL WASTE PIPING USING 1-1/2 PVC COUPLER, TEES, OR CROSSES AS NEEDED DEPENDING ON CONFIGURATION. USE PVC GLUE TO INSTALL SLIP-FIT COMPRESSION ADAPTERS INTO FITTINGS. INSTALL WATER LINES FROM WATER SOURCE TO PUSH BUTTON VALVES. IF MULTIPLE PUSH BUTTONS ARE USED, SPLICE THE WATER LINE USING THE SUPPLIED PUSH-TO-CONNECT TEE.



1455 KLEPPE LANE
SPARKS, NEVADA 89431
(775) 359-4712 FAX (775) 359-7424
E-MAIL: HAWS@HAWSO.COM
WEBSITE: WWW.HAWSO.COM

ECN: 5226	REV. ECN: 5226	BY: MH	MODEL(S)	PART NUMBER
DRAWN: MH	DATE: 08/29/17	CHKD: MJ	MODULAR OUTDOOR FOUNTAIN SYSTEM	0510000704
APPROVED: MJ	DATE: 12/18/17			REVISION 1
SCALE: 1:12			DRAWING TYPE: PARTS BREAKDOWN	SIZE: A SHEET 3 OF 7

WHEN ORDERING PARTS PLEASE SPECIFY PART NUMBER

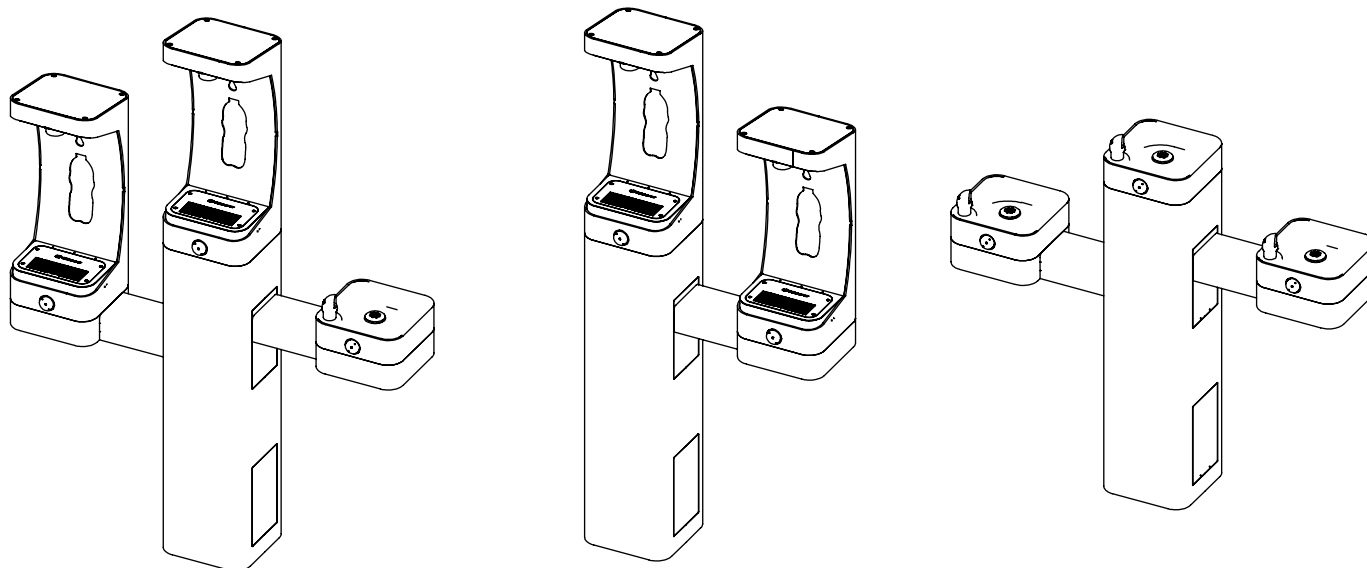



STEP 6:

INSTALL COVER PLATE UNDER THE ARM USING SUPPLIED TAMPER-RESISTANT SCREWS AND ALLEN WRENCH. ATTACH COVER PLATES OVER UNUSED PEDESTAL OPENINGS USING SUPPLIED WASHER AND NUTS. AFTER ALL WATER LINE AND WASTE LINE CONNECTIONS ARE MADE AND TESTED, INSTALL REAR COVER PLATE USING SUPPLIED TAMPER-RESISTANT SCREWS AND ALLEN WRENCH.

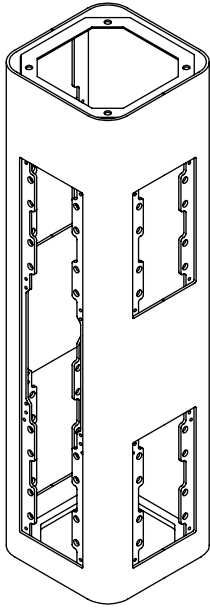
OPTIONAL CONFIGURATIONS

THE MODULAR OUTDOOR FOUNTAIN CAN BE RECONFIGURED AFTER INSTALLATION. MODULES MAY BE ADDED OR REMOVED TO CREATE MANY DIFFERENT FOUNTAIN STYLES. A FEW POSSIBLE CONFIGURATIONS ARE SHOWN:

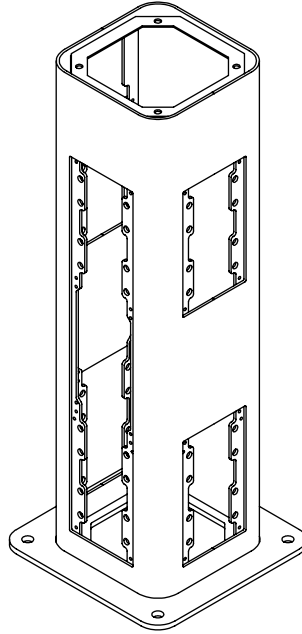


		1455 KLEPPE LANE SPARKS, NEVADA 89431 (775) 359-4712 FAX (775) 359-7424 E-MAIL: HAWS@HAWSO.COM WEBSITE: WWW.HAWSO.COM	
		ECN: 5226 REV. ECN: 5226 DRAWN: MH APPROVED: MJ	BY: MH DATE: 08/29/17 DATE: 12/18/17
WHEN ORDERING PARTS PLEASE SPECIFY PART NUMBER			
© 2018 Haws Corporation - All Rights Reserved. HAWS® and other trademarks used in these materials are the exclusive property of Haws Corporation.		SCALE: 1:16 DRAWING TYPE: PARTS BREAKDOWN SIZE: A	SHEET 4 OF 7

MODULAR FOUNTAIN SYSTEM COMPONENTS



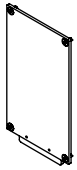
**MODEL 3674
PEDESTAL
INTERNAL MOUNT**



**MODEL 3675
PEDESTAL
EXTERNAL MOUNT**



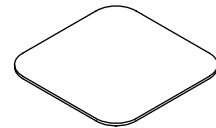
**MODEL 3650
COVER PLATE
PEDESTAL
FULL ACCESS
EXPOSED FASTENERS**



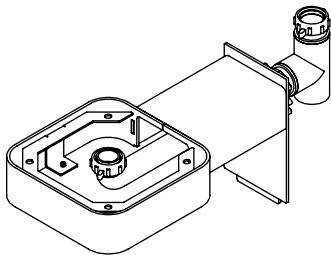
**MODEL 3651
COVER PLATE
PEDESTAL
SMALL ACCESS
EXPOSED FASTENERS**



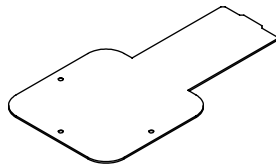
**MODEL 3652
COVER PLATE
PEDESTAL
ACCESSORY
HIDDEN FASTENERS**



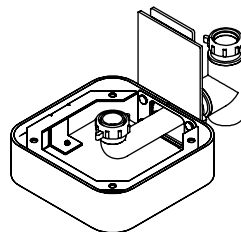
**MODEL 3654
COVER PLATE
PEDESTAL TOP
HIDDEN FASTENERS**



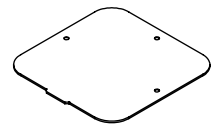
**MODEL 3671
PEDESTAL ARM
LONG
INCLUDES 3655
COVER PLATE**



**MODEL 3655
COVER PLATE
PEDESTAL ARM
LONG**



**MODEL 3673
PEDESTAL ARM
SHORT
INCLUDES 3656
COVER PLATE**



**MODEL 3656
COVER PLATE
PEDESTAL ARM
SHORT**

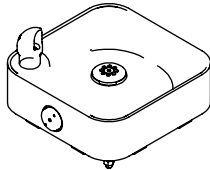


1455 KLEPPE LANE
SPARKS, NEVADA 89431
(775) 359-4712 FAX (775) 359-7424
E-MAIL: HAWS@HAWSO.COM
WEBSITE: WWW.HAWSO.COM

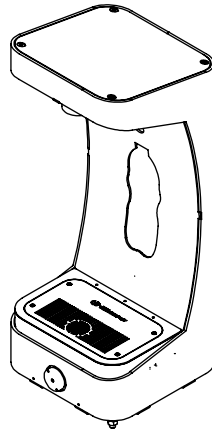
ECN: 5226	REV. ECN: 5226	BY: MH	MODEL(S) MODULAR OUTDOOR FOUNTAIN SYSTEM	PART NUMBER 051000704
DRAWN: MH	DATE: 08/29/17	CHKD: MJ		REVISION 1
APPROVED: MJ	DATE: 12/18/17	SCALE: 1:12	DRAWING TYPE: PARTS BREAKDOWN	SIZE: A SHEET 5 OF 7

WHEN ORDERING PARTS PLEASE SPECIFY PART NUMBER

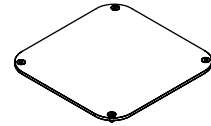
MODULAR FOUNTAIN SYSTEM COMPONENTS



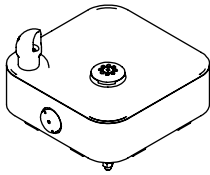
MODEL 3680 / 3680FR*
DRINKING FOUNTAIN TOP



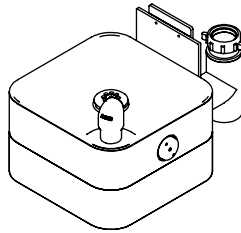
MODEL 3690 / 3690FR*
BOTTLE FILLER TOP



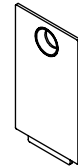
MODEL 3657
COVER PLATE
BOTTLE FILLER



MODEL 3683 / 3683FR*
DOG BOWL
SLOW DRAIN
FOOT ACTIVATION



MODEL 3670 / 3670FR*
DOG BOWL ASSEMBLY
INCLUDES 3673 & 3683
FR INCLUDES 3673 & 3683FR
FOOT ACTIVATION



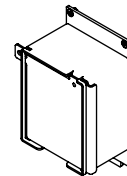
MODEL 3653
COVER PLATE
PUSH BUTTON
RELOCATION FOR
HAND ACTIVATION



MODEL 3661
HOSE BIB
NON-LOCKABLE



MODEL 3661FR*
HOSE BIB
NON-LOCKABLE



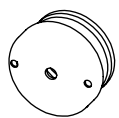
MODEL 3660 / 3660FR*
HOSE BIB
LOCKABLE

* FR = FREEZE RESISTANT

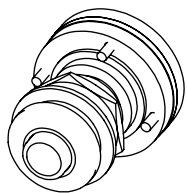
		1455 KLEPPE LANE SPARKS, NEVADA 89431 (775) 359-4712 FAX (775) 359-7424 E-MAIL: HAWS@HAWS.CO.COM WEBSITE: WWW.HAWS.CO.COM		
		ECN: 5226	REV. ECN: 5226	BY: MH
DRAWN: MH	DATE: 08/29/17	CHKD: MJ	MODULAR OUTDOOR FOUNTAIN SYSTEM	0510000704
APPROVED: MJ	DATE: 12/18/17			REVISION
		SCALE: 1:12	DRAWING TYPE: PARTS BREAKDOWN	1
				SHEET 6 OF 7

WHEN ORDERING PARTS PLEASE SPECIFY PART NUMBER

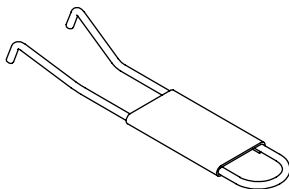
REPLACEMENT PARTS ALL MODELS



**MODEL PBA7
BUTTON ASSEMBLY
(NON-FR MODELS)**



**MODEL 5881PBA
BUTTON ASSEMBLY
(FR MODELS)**



**0006983506
SPANNER WRENCH
(NON-FR MODELS)**

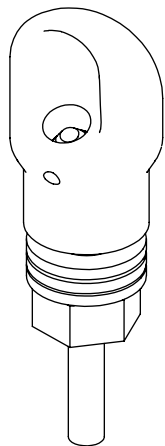


**0002981127
HEX KEY,
PINNED, 5/32"**

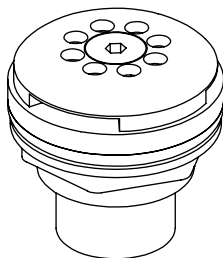


**0310000203
HEX KEY,
PINNED, 1/8"**

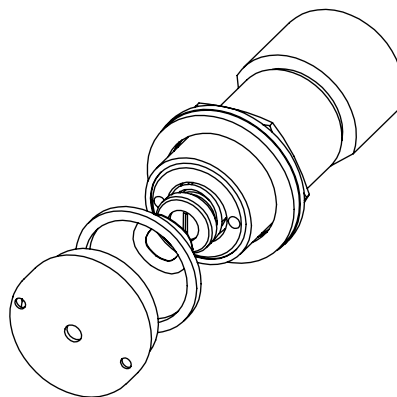
REPLACEMENT PARTS 3670/3670FR & 3680/3680FR & 3683/3683FR



**MODEL 5703M
BUBBLER HEAD**



**MODEL 6466
STRAINER
TOP ACCESS**

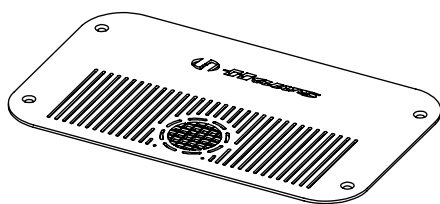


**MODEL 5874PB
PUSHBUTTON
(3670/3680/3683 ONLY)**

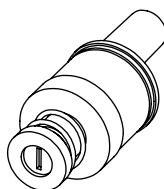


**MODEL VRK5874
VALVE REPAIR KIT
(3670/3680/3683 ONLY)**

REPLACEMENT PARTS 3690/3690FR



**MODEL 3659
BOTTLE FILLER DRAIN
COVER PLATE**



**MODEL VRK5874HF
VALVE REPAIR KIT,
HIGH FLOW
(3690 ONLY)**



**MODEL VRKNOZ1
QTY 10 AERATORS
AND INSTALL TOOL
(3690 ONLY)**



**0110000641
AERATOR, FR
(3690FR ONLY)**

PARTS BREAKDOWN

		1455 KLEPPE LANE SPARKS, NEVADA 89431 (775) 359-4712 FAX (775) 359-7424 E-MAIL: HAWS@HAWSO.COM WEBSITE: WWW.HAWSO.COM	
		ECN: 5226 REV. ECN: 5226 DRAWN: MH DATE: 08/29/17 APPROVED: MJ DATE: 12/18/17	BY: MH CHKD: MJ MODEL(S) MODULAR OUTDOOR FOUNTAIN SYSTEM
WHEN ORDERING PARTS PLEASE SPECIFY PART NUMBER			
SCALE: 1:2		DRAWING TYPE: PARTS BREAKDOWN	
SIZE: A		SHEET 7 OF 7	