



model **BP32W**  
Back Panel

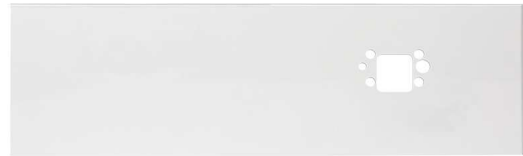
## FEATURES & BENEFITS

---

## OPTIONS

---

For more information, visit [www.hawesco.com](http://www.hawesco.com) or call (888) 640-4297.



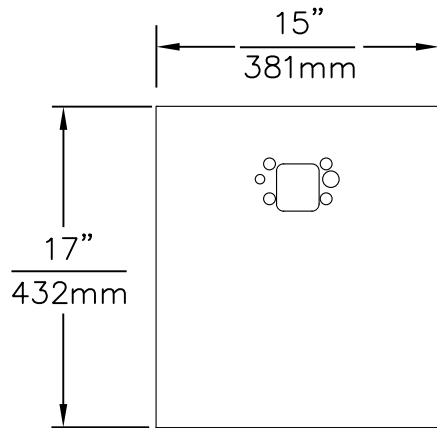
## SPECIFICATIONS

---

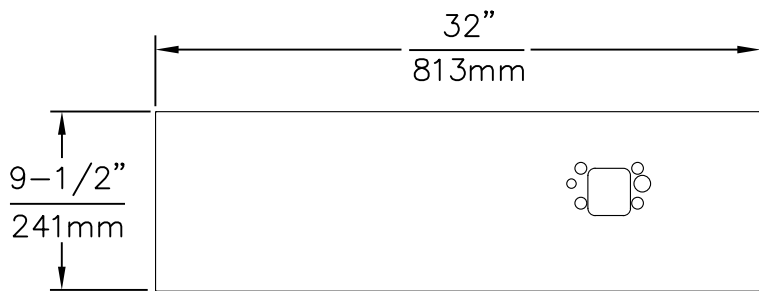
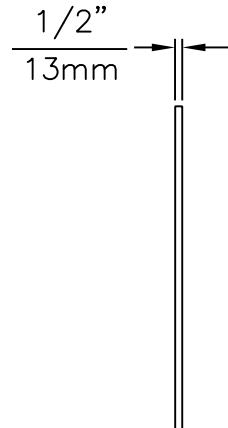
Model BP32W is a versatile and decorative back panel for model 1920W bottle filler that increases location visibility, and also helps protect wall from inadvertent splash. This back panel is 32" x 9.5" (81 x 24 cm) white painted stainless steel, and is mounted over model 1501.

## APPLICATIONS

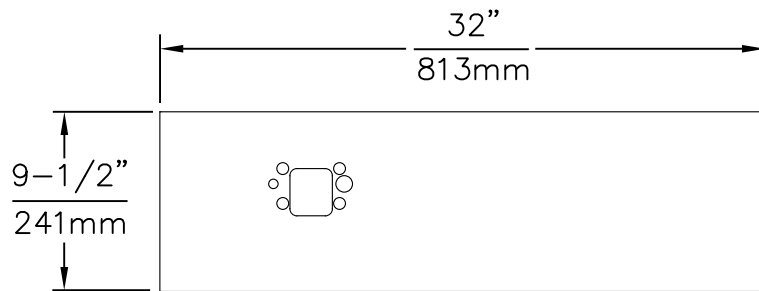
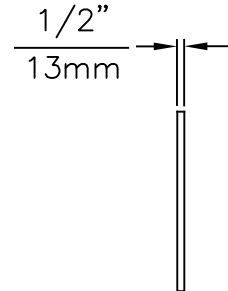
---



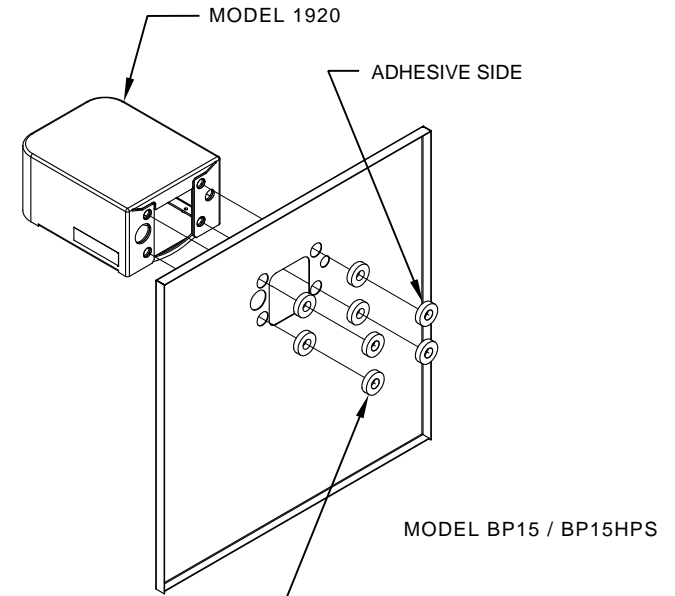
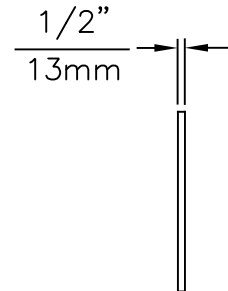
**MODEL BP15 / BP15HPS**



**MODEL BP32 / BP32HPS / BP32W**



**MODEL BP32R / BP32RW**

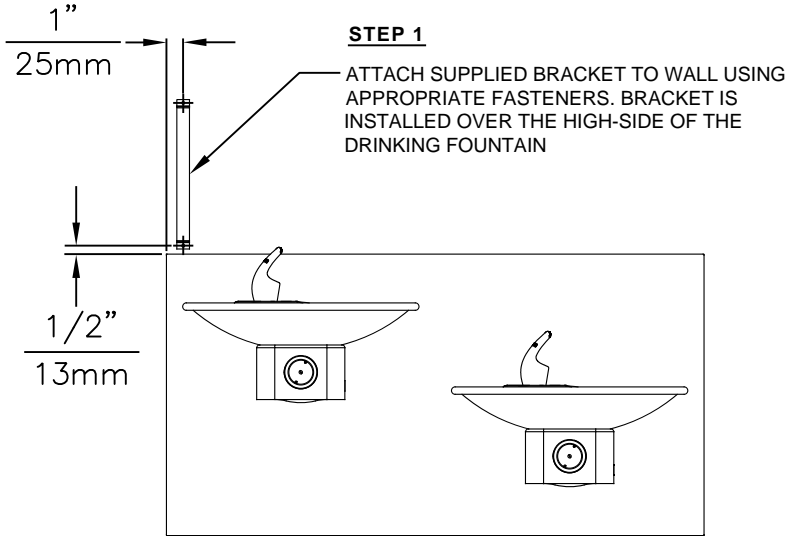


8 SPACERS (2 PER MOUNTING BOLT IF THE MOUNTING PLATE IS INSTALLED BEHIND THE FINISHED WALL. USE 1 SPACER PER BOLT FOR RETROFITS WHERE THE MOUNTING PLATE IS INSTALLED IN FRONT OF THE FINISHED WALL)

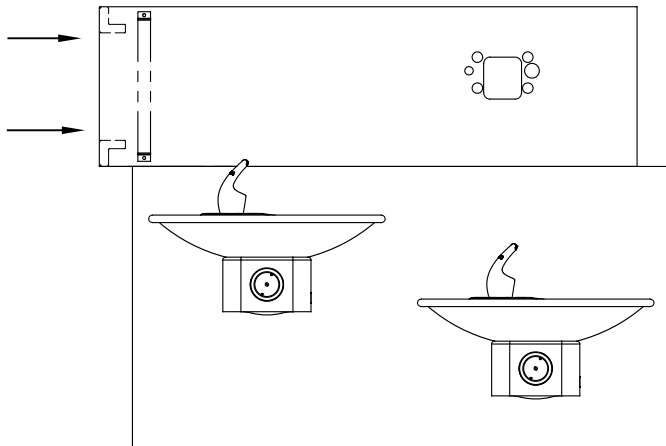
**INSTALLATION OVER SINGLE FOUNTAIN**  
SHOWN FROM REAR

NOTES:  
1. WHEN INSTALLING THIS UNIT, LOCAL, STATE OR FEDERAL CODES SHOULD BE ADHERED TO.

		1455 KLEPPE LANE SPARKS, NEVADA 89431 (775) 359-4712 FAX (775) 359-7424 E-MAIL: HAWS@HAWSOCO.COM WEBSITE: WWW.HAWSOCO.COM		
		ECN NO. 5081 DRAWN: MJ APPROVED: FV	REVISED PER: ECN: 5172 DATE: 06/27/16 DATE: 02/27/17	BY: MJ CHK'D.: FV
SCALE: 1:1		DRAWING TYPE: INSTALLATION		SIZE: A SHEET 1 OF 2

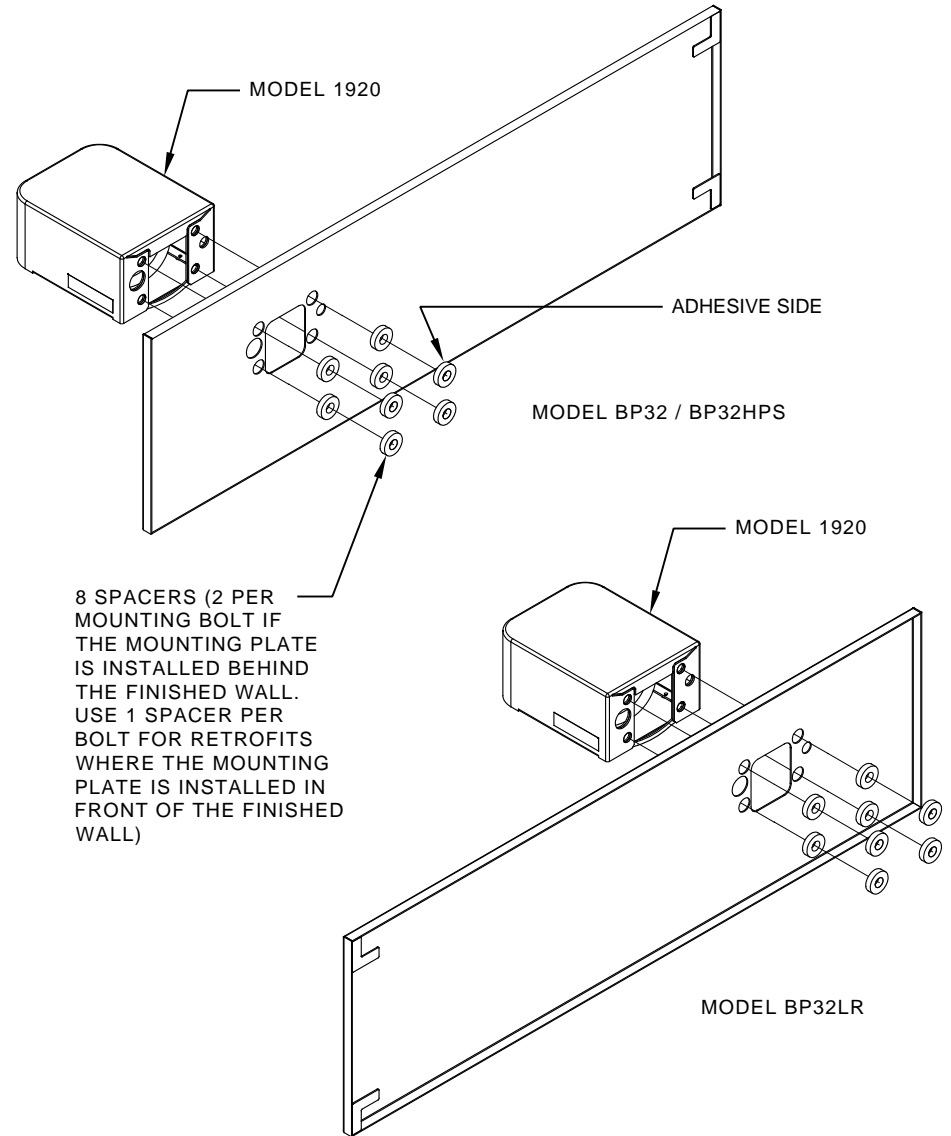


**STEP 2**  
PLACE THE BACKPLATE AGAINST THE WALL AND SLIDE SIDWAYS SO THE TABS CATCH UNDER THE BRACKET



**STEP 3**  
INSTALL THE BOTTLE FILLER PER THE INSTRUCTIONS SUPPLIED WITH THE UNIT

**NOTES:**  
1. WHEN INSTALLING THIS UNIT, LOCAL, STATE OR FEDERAL CODES SHOULD BE ADHERED TO.



**INSTALLATION OVER DOUBLE FOUNTAIN**  
SHOWN FROM REAR

		1455 KLEPPE LANE SPARKS, NEVADA 89431 (775) 359-4712 FAX (775) 359-7424 E-MAIL: HAWS@HAWSCO.COM WEBSITE: WWW.HAWSCO.COM	
ECN NO. 5081	REVISED PER ECN: 5172	BY: MJ	MODEL(S) 0510000493.D
DRAWN: MJ	DATE: 02/02/17	CHK'D: FV	DRAWING, BACK PANEL SPACER INST, BF
APPROVED: FV	DATE: 02/27/17	SCALE: 1:1	DRAWING TYPE: INSTALLATION
		SIZE: A	SHEET 2 OF 2