



model **BP32R**
Back Panel

FEATURES & BENEFITS

OPTIONS

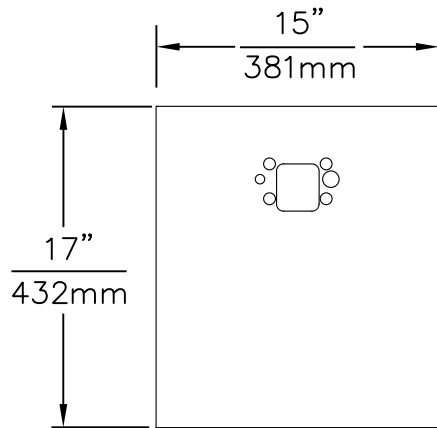
For more information, visit www.hawesco.com or call (888) 640-4297.



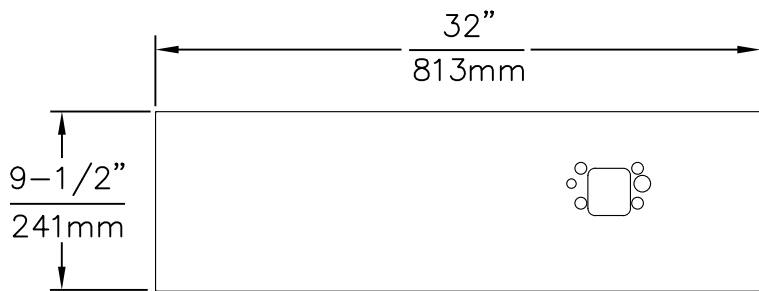
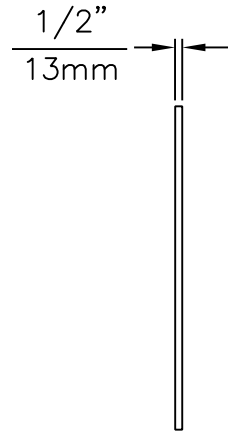
SPECIFICATIONS

Model BP32R is a versatile and decorative reversed mount back panel for model 1920 bottle filler that increases location visibility, and also helps protect wall from inadvertent splash. This back panel is 32" x 9.5" (81 x 24 cm) stainless steel with a satin finish, and allows the bottle filler to be mounted over the right side low portion of the fountain that has been reversed from left side low. BP32R can be used with model 1920 over 1011, 1117 and 1119 series dual fountains.

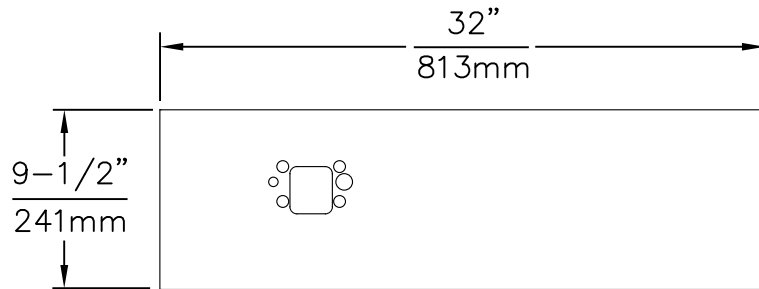
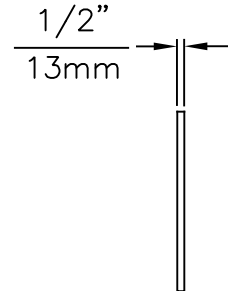
APPLICATIONS



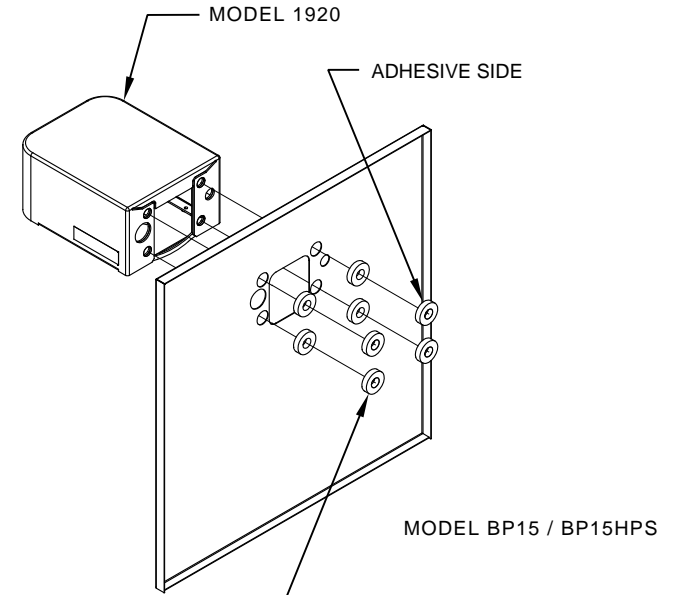
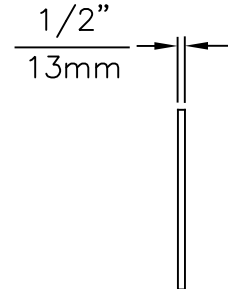
MODEL BP15 / BP15HPS



MODEL BP32 / BP32HPS / BP32W




MODEL BP32R / BP32RW

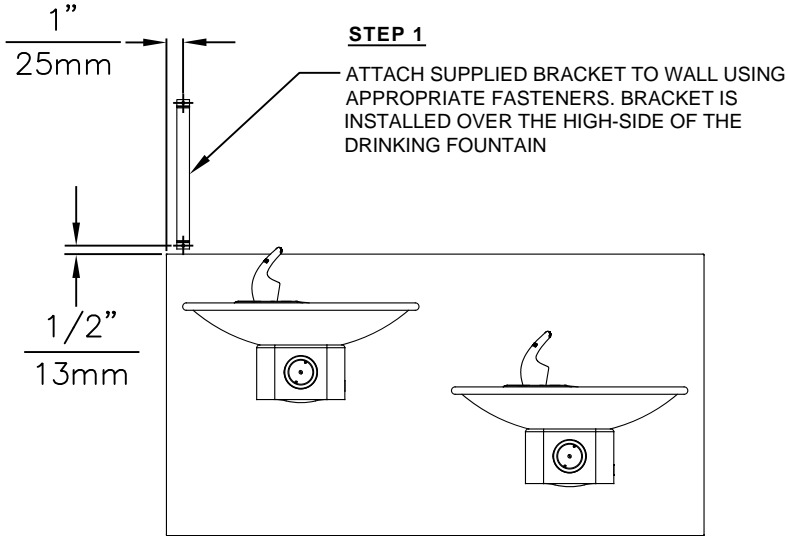


8 SPACERS (2 PER MOUNTING BOLT IF THE MOUNTING PLATE IS INSTALLED BEHIND THE FINISHED WALL. USE 1 SPACER PER BOLT FOR RETROFITS WHERE THE MOUNTING PLATE IS INSTALLED IN FRONT OF THE FINISHED WALL)

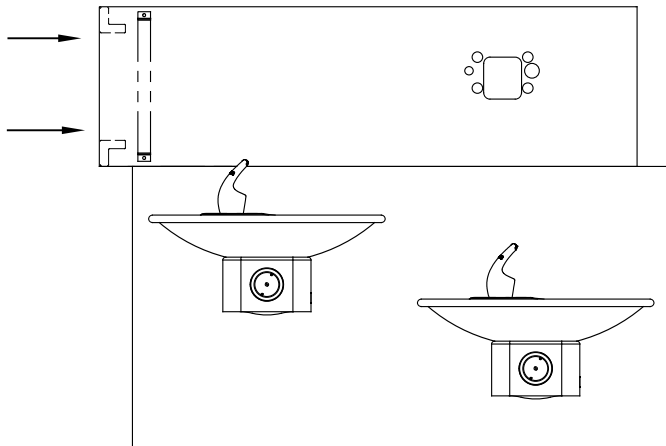
INSTALLATION OVER SINGLE FOUNTAIN
SHOWN FROM REAR

NOTES:
1. WHEN INSTALLING THIS UNIT, LOCAL, STATE OR FEDERAL CODES SHOULD BE ADHERED TO.

		1455 KLEPPE LANE SPARKS, NEVADA 89431 (775) 359-4712 FAX (775) 359-7424 E-MAIL: HAWS@HAWSOCO.COM WEBSITE: WWW.HAWSOCO.COM	
		ECN NO. 5081 DRAWN: MJ APPROVED: FV	REVISED PER: ECN: 5172 DATE: 06/27/16 DATE: 02/27/17
PART NUMBER 0510000493.D			REVISION 2
SCALE: 1:1		DRAWING TYPE: INSTALLATION	SIZE: A SHEET 1 OF 2

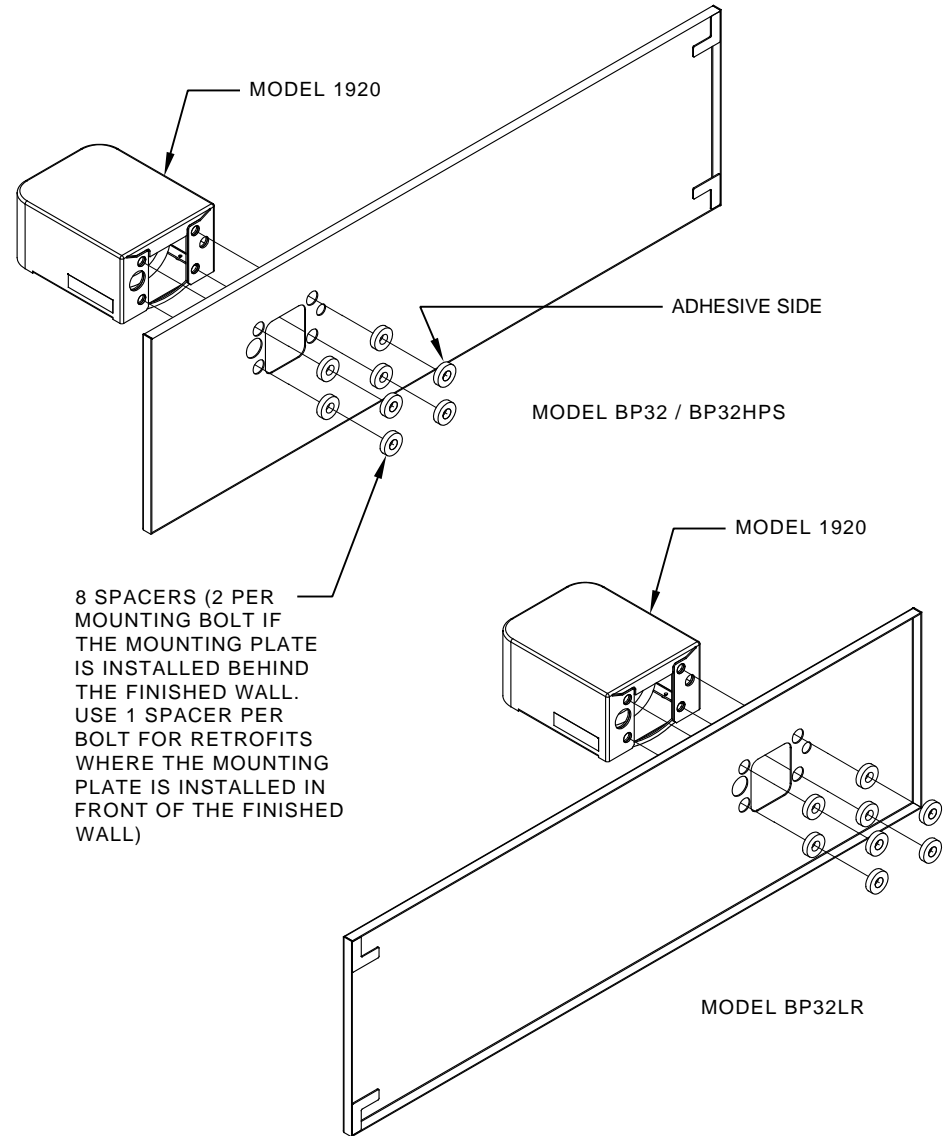


STEP 2
PLACE THE BACKPLATE AGAINST THE WALL AND SLIDE SIDWAYS SO THE TABS CATCH UNDER THE BRACKET



STEP 3
INSTALL THE BOTTLE FILLER PER THE INSTRUCTIONS SUPPLIED WITH THE UNIT

NOTES:
1. WHEN INSTALLING THIS UNIT, LOCAL, STATE OR FEDERAL CODES SHOULD BE ADHERED TO.



INSTALLATION OVER DOUBLE FOUNTAIN
SHOWN FROM REAR

		1455 KLEPPE LANE SPARKS, NEVADA 89431 (775) 359-4712 FAX (775) 359-7424 E-MAIL: HAWS@HAWSCO.COM WEBSITE: WWW.HAWSCO.COM	
		ECN NO. 5081 DRAWN: MJ APPROVED: FV	REVISED PER: MJ DATE: 02/02/17 DATE: 02/27/17
SCALE: 1:1		DRAWING TYPE: INSTALLATION	SIZE: A SHEET 2 OF 2