



model BP32HPS

Back Panel

FEATURES & BENEFITS

OPTIONS

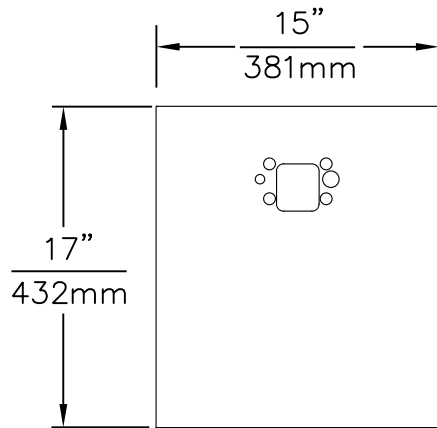
For more information, visit www.hawesco.com or call (888) 640-4297.



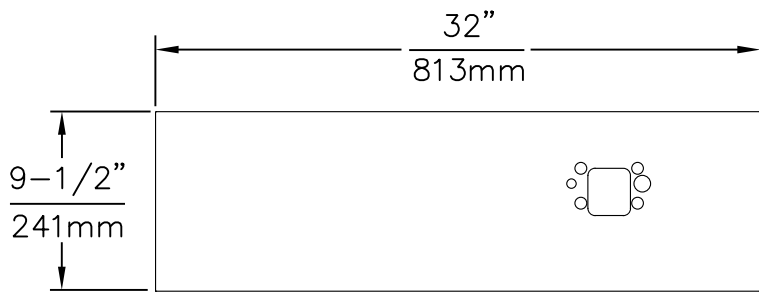
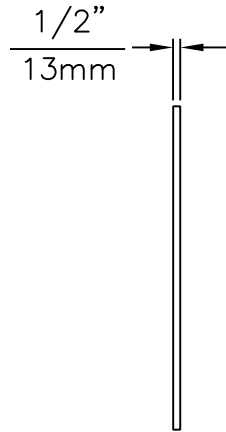
SPECIFICATIONS

Model BP32HPS is a versatile and decorative back panel for model 1920HPS bottle filler that increases location visibility, and also helps protect wall from inadvertent splash. This back panel is 32" x 9.5" (81 x 24 cm) stainless steel with a polished finish. BP32HPS can be used with model 1920HPS over fountain models 1011HPS and H1011.8HPS.

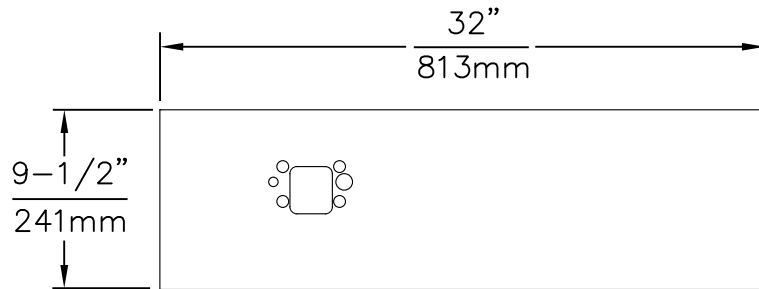
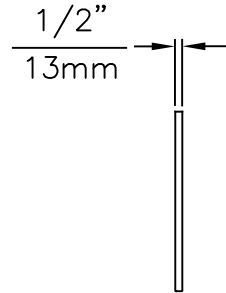
APPLICATIONS



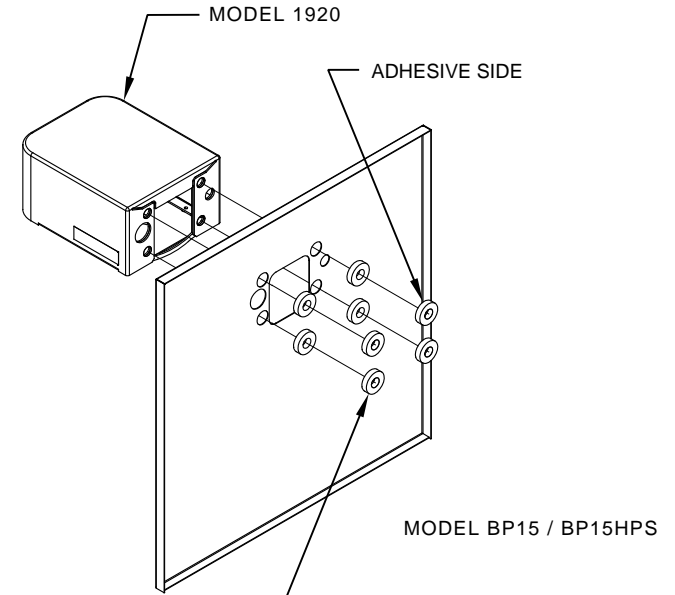
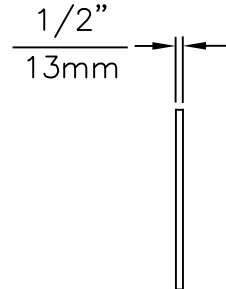
MODEL BP15 / BP15HPS



MODEL BP32 / BP32HPS / BP32W



MODEL BP32R / BP32RW

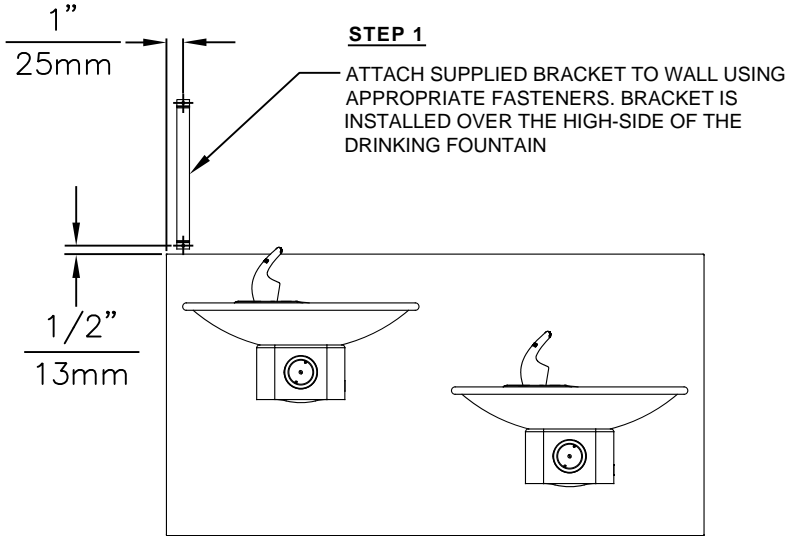


8 SPACERS (2 PER MOUNTING BOLT IF THE MOUNTING PLATE IS INSTALLED BEHIND THE FINISHED WALL. USE 1 SPACER PER BOLT FOR RETROFITS WHERE THE MOUNTING PLATE IS INSTALLED IN FRONT OF THE FINISHED WALL)

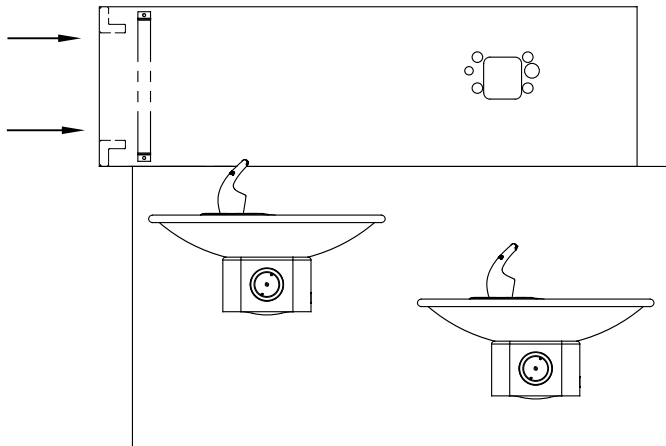
INSTALLATION OVER SINGLE FOUNTAIN
SHOWN FROM REAR

NOTES:
1. WHEN INSTALLING THIS UNIT, LOCAL, STATE OR FEDERAL CODES SHOULD BE ADHERED TO.

		1455 KLEPPE LANE SPARKS, NEVADA 89431 (775) 359-4712 FAX (775) 359-7424 E-MAIL: HAWS@HAWSOCO.COM WEBSITE: WWW.HAWSOCO.COM		
		ECN NO. 5081 DRAWN: MJ APPROVED: FV	REVISED PER: ECN: 5172 DATE: 06/27/16 DATE: 02/27/17	BY: MJ CHK'D.: FV
SCALE: 1:1		DRAWING TYPE: INSTALLATION		SIZE: A SHEET 1 OF 2

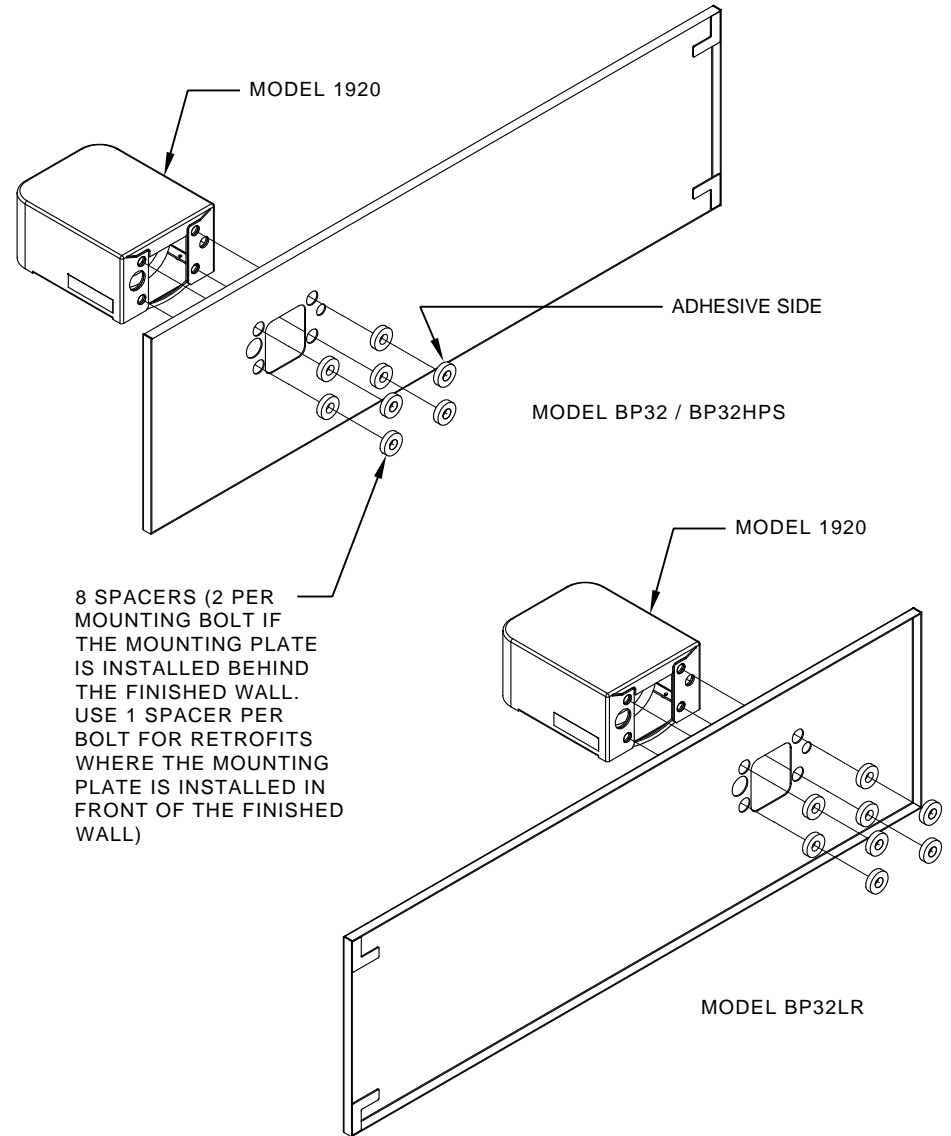


STEP 2
PLACE THE BACKPLATE AGAINST THE WALL AND SLIDE SIDeways SO THE TABS CATCH UNDER THE BRACKET




STEP 3
INSTALL THE BOTTLE FILLER PER THE INSTRUCTIONS SUPPLIED WITH THE UNIT

NOTES:
1. WHEN INSTALLING THIS UNIT, LOCAL, STATE OR FEDERAL CODES SHOULD BE ADHERED TO.



INSTALLATION OVER DOUBLE FOUNTAIN
SHOWN FROM REAR

		Haws [®]		1455 KLEPPE LANE SPARKS, NEVADA 89431 (775) 359-4712 FAX (775) 359-7424 E-MAIL: HAWS@HAWS.CO.COM WEBSITE: WWW.HAWS.CO.COM	
				ECN NO. 5081 DRAWN: MJ APPROVED: FV	REVISED PER ECN: 5172 DATE: 02/02/17 DATE: 02/27/17
SCALE: 1:1		DRAWING TYPE: INSTALLATION		SIZE: A SHEET 2 OF 2	